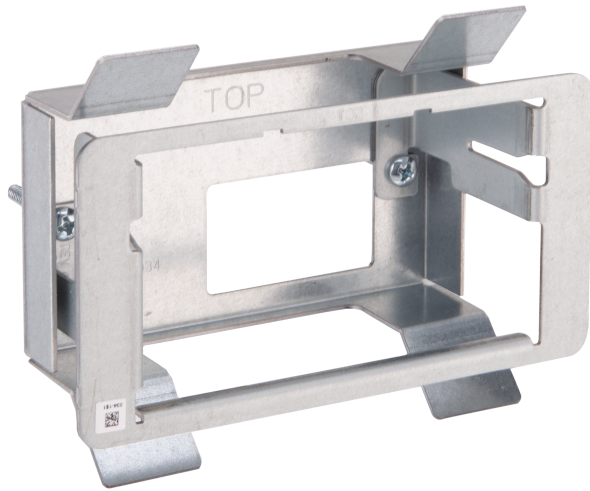


TSW-UMB-70

Universal Mounting Bracket for TSW-70 Series



The Crestron® TSW-UMB-70 universal mounting bracket provides a simple in-wall mounting solution for [TSW-570](#), [TSW-770](#), [TSW-1070](#), [TSS-770](#), and [TSS-1070](#) series touch screens. The TSW-UMB-70 is also compatible with [TSW-570P](#) series touch screens when mounted in portrait orientation.

NOTE: TSW-570 and TSW-570P series touch screens ship with one TSW-UMB-70 included.

By itself, the TSW-UMB-70 is a postconstruction solution that allows the touch screen to be retrofitted into existing drywall or paneling. The bracket is also suitable for use in a lectern or podium. Because the TSW-UMB-70 fits all supported touch screen models, a touch screen can be replaced easily without needing to cut or patch the wall.

For preconstruction wall mounting applications, the TSW-UMB-70 can be used along with the [TSW-UMB-70-PMK](#) or [TSW-UMB-570P-PMK](#) mounting kits. For masonry and concrete installations, the TSW-UMB-70 can be used along with the [TSW-UMB-70-BBI](#) wall mount back box.¹

Specifications

Construction

Material	Metal bracket and clamp assembly
Mounting	Surface mount over a 2 in. H x 3-3/4 in. W (51 mm H x 96 mm W) cutout; 2-13/16 in. (72 mm) minimum mounting depth; 1-1/4 in. (32 mm) maximum mounting surface thickness; Pre/postconstruction mounting bracket and wall mount back box accessories sold separately ¹

Dimensions

Height	2.29 in. (58 mm)
Width	4.34 in. (110 mm)
Depth	1.78 in. (45 mm)

Model

TSW-UMB-70
Universal Mounting Bracket for TSW-70 Series

Available Accessories

TSW-UMB-70-PMK
Preconstruction Mounting Kit for TSW-70 Series

TSW-UMB-570P-PMK
Preconstruction Mounting Kit for TSW-570P Series, Portrait

TSW-UMB-70-BBI
Wall Mount Back Box for TSW-70 Series

Notes:

1. The TSW-UMB-70-PMK is sold separately or as included with the TSW-570. The TSW-UMB-570P-PMK is sold separately or as included with the TSW-570P. The TSW-UMB-70-BBI is only sold separately. The TSW-UMB-70 is also compatible with older TSW-UMB-PMK series preconstruction mounting kits and TSW-BBI series back boxes, allowing a TSW-70 series touch screen to be installed in place of a previous generation TSW-60 or TSW-50 series touch screen, or any other device that was originally installed using a TSW-UMB-PMK or TSW-BBI model, without modification to the wall.

TSW-UMB-70

Universal Mounting Bracket for TSW-70 Series

This product may be purchased from select authorized Crestron dealers and distributors. To find a dealer or distributor, please contact the Crestron sales representative for your area. A list of sales representatives is available online at www.crestron.com/How-To-Buy/Find-a-Representative or by calling 855-263-8754.

This product is covered under the Crestron standard limited warranty. Refer to www.crestron.com/warranty for full details.

The specific patents that cover Crestron products are listed online at patents.crestron.com.

Certain Crestron products contain open source software. For specific information, please visit www.crestron.com/opensource.

Crestron and the Crestron logo are either trademarks or registered trademarks of Crestron Electronics, Inc. in the United States and/or other countries. Other trademarks, registered trademarks, and trade names may be used in this document to refer to either the entities claiming the marks and names or their products. Crestron disclaims any proprietary interest in the marks and names of others. Crestron is not responsible for errors in typography or photography.

Specifications are subject to change without notice.

©2020 Crestron Electronics, Inc.

Rev 11/25/20

TSW-UMB-70

Universal Mounting Bracket for TSW-70 Series

