



Description

The Crestron® DIN-8SW8-I is an 8-channel lighting control module designed to support switching of non-dimmable lighting and fans. In addition, the DIN-8SW8-I features eight isolated digital inputs, allowing standard momentary switches to trigger events with or without a control system. A single model supports both 120 and 220–240 volt applications. Each channel handles incandescent loads up to 10 amps, fluorescent loads up to 5 amps, and also 1/2 HP motors. The DIN-8SW8-I may not be compatible with some high inrush current loads.

DIN-8SW8-I Specifications

SPECIFICATION	DETAILS
Load Ratings	
Switch Channels	8
Maximum per Channel	10 amps incandescent, 5 amps fluorescent, 0.5 HP @ 120 to 240 volts ac, 50/60 Hz; 5 amps @ 30 volts dc; 16 amps resistive
Module Total	80 amps incandescent, 40 amps fluorescent @ 120–240 volts ac, 50/60 Hz
Load Types	Incandescent, Magnetic Low-Voltage, Electronic Low-Voltage, Neon/Cold Cathode, Fluorescent, Motors NOTE: May not be compatible with some high inrush current loads.
Environmental	
Temperature	32° to 104°F (0° to 40°C)
Humidity	10% to 90% RH (noncondensing)
Heat Dissipation	18 Btu/h
Weight	14 oz (369 g)

Additional Resources

Visit the product page on the Crestron website (www.crestron.com) for additional information and the latest firmware updates. Use a QR reader application on your mobile device to scan the QR image.



Installation

WARNING: To avoid fire, shock, or death, turn off the power at the circuit breaker or fuse and test that power is off before wiring!

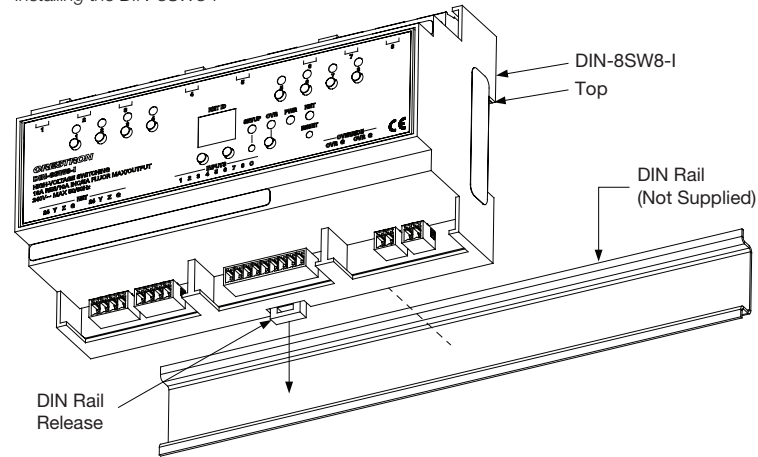
CAUTION: This equipment is for indoor use only. Mount in a well-ventilated area. The ambient temperature must be 32° to 104°F (0° to 40°C). The relative humidity must be 10% to 90% (non-condensing).

NOTES: Observe the following points:

- When installing in an enclosure, group high-voltage devices separately from low-voltage devices.
- Install and use this product in accordance with appropriate electrical codes and regulations.
- A licensed electrician must install this product.

The DIN-8SW8-I is designed for installation on a DIN rail. Refer to the following diagram when installing.

Installing the DIN-8SW8-I



Install the DIN-8SW8-I.

1. Place the top of the DIN-8SW8-I's rail mount over the top of the DIN rail.
2. Tilt the bottom of the DIN-8SW8-I toward the DIN rail until it snaps into place.

NOTE: It may be necessary to use a flat-head screwdriver to pull the DIN rail release tab while snapping the device onto the DIN rail.

To remove the DIN-8SW8-I from the DIN rail, use a small, flat object (i.e., a flat-head screwdriver) to pull the DIN rail release, and tilt the bottom of the DIN-8SW8-I away from the DIN rail.

NOTE: Certain third-party DIN cabinets provide space for an informational label between each DIN rail row. Crestron's Engraver software (version 4.0 or later) can generate appropriate labels for all Crestron DIN rail products.

Hardware Hookup

Make the necessary connections. Apply power after all connections have been made.

WARNING: Prior to connecting the device, turn off the power at the circuit breaker. Failure to do so may result in serious personal injury or damage to the device. Restore the power after all connections have been made.

CAUTION: Connecting this device to the wrong type of load or short-circuiting the load can cause severe product damage. Test each load to identify a short-circuit condition prior to wiring the load to the module.

NOTE: Install in accordance with all local and national electric codes.

NOTE: High-voltage connections accept 12 AWG (2.5 mm²) wire. Wire should be stripped to 1/3 inch (8 mm). Tighten terminal blocks to 5 in-lbs (0.5 Nm).

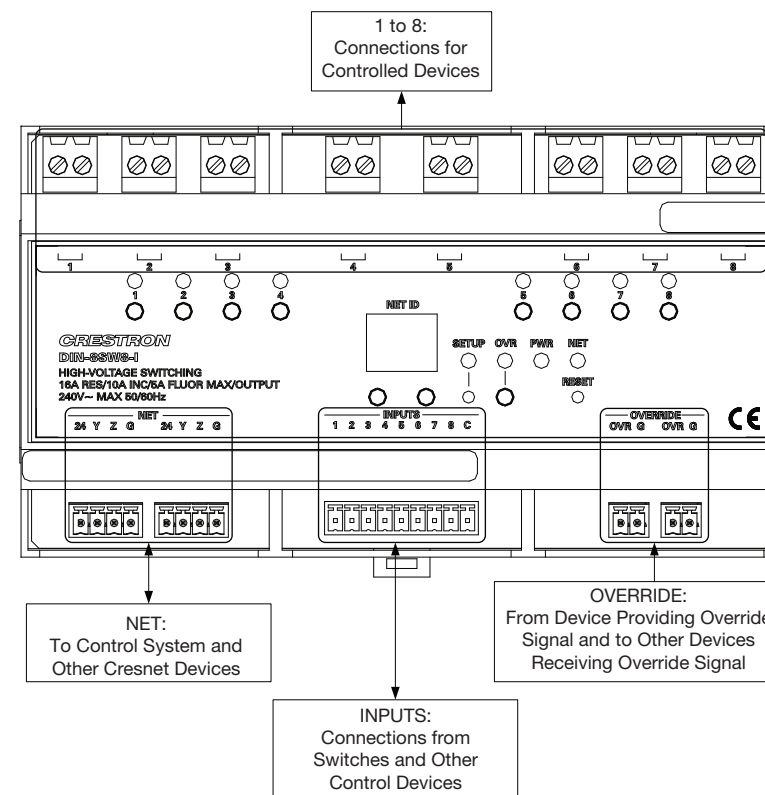
NOTE: Use copper wire only. For high-voltage connections, use wire rated for at least 75°C.

NOTE: Each switch leg of the DIN-8SW8-I may be fed from a separate circuit breaker.

When making Cresnet® (NET), INPUTS, and OVERRIDE connections, strip the ends of the wires approximately 1/4 in (6 mm). Use care to avoid nicking the conductors. Twist together the ends of the wires that share a connection. Apply solder only to the ends of the twisted wires. Avoid tinning too far up the wires, or the end becomes brittle.

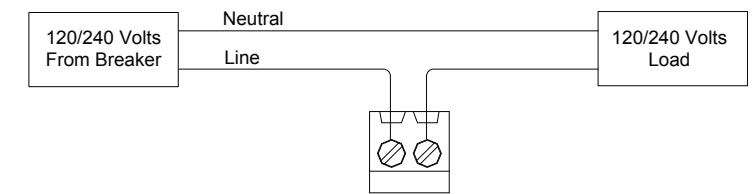
When making power connections to the DIN-8SW8-I, use a Crestron power supply.

Hardware Connections for the DIN-8SW8-I

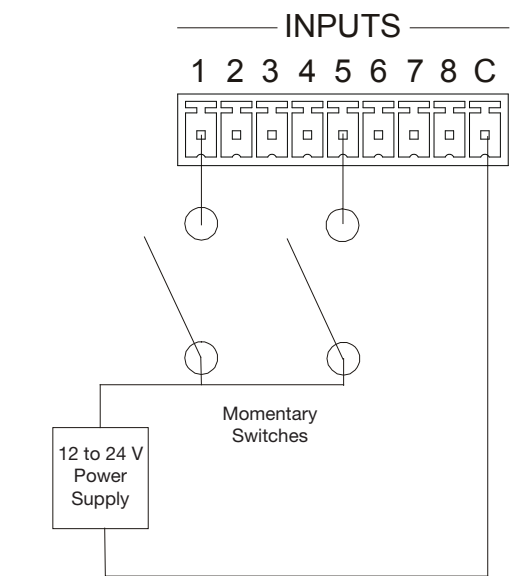


With the circuit breaker turned off, connect the wires to the terminal blocks per the markings provided on the DIN-8SW8-I.

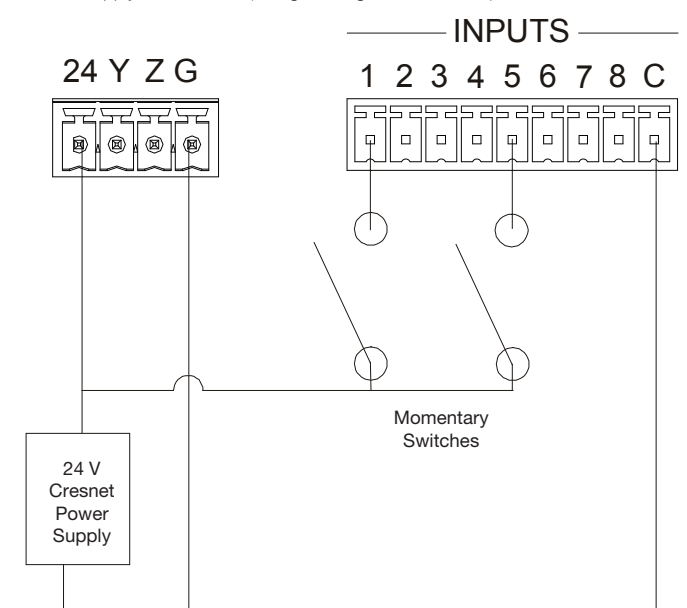
Load Connection Example for the DIN-8SW8-I



Power Supply Connections (Using an Isolated Power Supply)



Power Supply Connections (Using Existing Cresnet Power)



Set the Net ID

The Net ID of the DIN-8SW8-I has been factory set to 89. The Net IDs of all devices in the same system must be unique. The Net ID can be changed from the front panel of the DIN-8SW8-I or from a personal computer via Crestron Toolbox™.

Set the Net ID using the front panel.

1. Press the **SETUP** button to enter Setup mode. The SETUP LED illuminates.
2. Press the left and right buttons under the NET ID display to change the Net ID.

NOTE: The DIN-8SW8-I will leave Setup mode after 10 seconds of inactivity and revert to the previously set Net ID.

3. When the desired Net ID is displayed, press the **SETUP** button to exit the Setup mode. The SETUP LED extinguishes.

NOTE: If an invalid Net ID is set (i.e., 00, 02, FF), “Er” will be displayed on the NET ID display, and the DIN-8SW8-I will revert to the previously set Net ID.

A small Net ID label is provided on the DIN-8SW8-I to document the unit’s Net ID in the case where power is not available. Apply a mark over the digits that correspond to the assigned Net ID.

NET ID Label (“3C” Shown)



Operation

The DIN-8SW8-I can be controlled via its front panel as well as from a control system. The following local controls are available.

Manual Load Control

The state of each output can be manually controlled from the front panel.

To toggle the output between off and on, tap the appropriate button (1 to 8). The corresponding LED illuminates and the output state is shown on the NET ID display (“oF” for off, “On” for on) for two seconds after the button is released.

NOTE: The control system program may change the settings if Override mode is not enabled.

Establish Override Mode Levels

Override mode disables the control system program and sets all of the output states to the stored override values. The state of each output can be saved as an override setting, which can be automatically recalled when the Override mode is enabled.

NOTE: The control system program has a setting that can prevent locally saving the override state. If this setting is enabled, the display shows “Er” during an attempt to save override states. For more information, refer to the SIMPL Windows help file.

To save the load level as an override setting, set all of the loads to either on or off and then press and hold the **OVR** button for three seconds. The OVR LED blinks to indicate the new override setting has been stored.

Toggle Override Mode

To enable Override mode, press the **OVR** button. The OVR LED flashes slowly. Override mode can also be toggled via a remote contact closure attached to the OVERRIDE port.

NOTE: If Override mode is enabled from an external device (i.e., a contact closure connected to the OVERRIDE port), the OVR LED will flash quickly when the local **OVR** button is pressed. Pressing the local **OVR** button has no effect when Override mode is toggled via the remote connection.

To disable Override mode, press the **OVR** button again. The OVR LED extinguishes and the outputs return to the states set by the control system program.

NOTE: If override states have not been stored, the factory default override state is all loads on.

Reboot the DIN-8SW8-I

To reboot the DIN-8SW8-I, press the **RESET** button. The outputs will be set to the states currently specified by the control system program. If the control system does not provide any values, the outputs will be set to the previously set values.

Troubleshooting

The following table provides corrective action for possible trouble situations. If further assistance is required, please contact a Crestron customer service representative.

DIN-8SW8-I Troubleshooting

TROUBLE	POSSIBLE CAUSE(S)	CORRECTIVE ACTION
The device does not function.	The DIN-8SW8-I-I is not receiving power.	Verify that the DIN-8SW8-I is connected to a Crestron power supply.
	The device is not receiving power from a Crestron power source.	Use a Crestron power source. Verify the power connections.
	The device is not receiving sufficient power.	Use the Crestron Power Calculator to calculate how much power is needed for the system.
	An electrostatic discharge occurred due to improper grounding.	Check that all of the ground connections have been made properly.
The unit ignores Cresnet commands.	The unit is in Override mode.	Take the DIN-8SW8-I out of Override mode by pressing the OVR button or releasing the override contact closure.

As of the date of manufacture, the DIN-8SW8-I has been tested and found to comply with specifications for CE marking.



Federal Communications Commission (FCC) Compliance Statement

This device complies with part 15 of the FCC Rules. Operation is subject to the following conditions:(1) This device may not cause harmful interference and (2) this device must accept any interference received, including interference that may cause undesired operation.

CAUTION: Changes or modifications not expressly approved by the manufacturer responsible for compliance could void the user’s authority to operate the equipment.

NOTE: This equipment has been tested and found to comply with the limits for a Class B digital device, pursuant to part 15 of the FCC Rules. These limits are designed to provide reasonable protection against harmful interference in a residential installation. This equipment generates, uses and can radiate radio frequency energy and, if not installed and used in accordance with the instructions, may cause harmful interference to radio communications. However, there is no guarantee

that interference will not occur in a particular installation. If this equipment does cause harmful interference to radio or television reception, which can be determined by turning the equipment off and on, the user is encouraged to try to correct the interference by one or more of the following measures:

- Reorient or relocate the receiving antenna.
- Increase the separation between the equipment and receiver.
- Connect the equipment into an outlet on a circuit different from that to which the receiver is connected.
- Consult the dealer or an experienced radio/TV technician for help.

Industry Canada (IC) Compliance Statement

This Class B digital apparatus complies with Canadian ICES-003.

Cet appareil numérique de la classe B est conforme à la norme NMB-003 du Canada.

The product warranty can be found at www.crestron.com/warranty.

The specific patents that cover Crestron products are listed at patents.crestron.com.

Certain Crestron products contain open source software. For specific information, please visit www.crestron.com/opensource.

Crestron, the Crestron logo, Cresnet, and Crestron Toolbox are either trademarks or registered trademarks of Crestron Electronics, Inc. in the United States and/or other countries. Other trademarks, registered trademarks, and trade names may be used in this document to refer to either the entities claiming the marks and names or their products. Crestron disclaims any proprietary interest in the marks and names of others. Crestron is not responsible for errors in typography or photography.

This document was written by the Technical Publications department at Crestron.

©2015 Crestron Electronics, Inc.

Crestron Electronics, Inc.
15 Volvo Drive Rockleigh, NJ 07647
Tel: 888.CRESTRON
Fax: 201.767.7576
www.crestron.com

Installation Guide - DOC. 6930B
(2027169)
10.15
Specifications subject to
change without notice.