

TS-7-MSMK/TS-10-MSMK

Multisurface Mount Kits for TSS-7, TSS-10, TSW-760, and TSW-1060, Flat

The Crestron® TS-7-MSMK and TS-10-MSMK multisurface mount kits provide a versatile flush mount solution for Crestron TSS-7, TSS-10, TSW-760, and TSW-1060 touch screens. Using the TS-7-MSMK or TS-10-MSMK, the touch screen may be mounted directly onto glass, granite, marble, plaster, smooth stone and masonry, or almost any other flat surface.

The TS-7-MSMK and TS-10-MSMK rear housing provides four cutout holes (on the top, bottom, and sides of the housing) for running concealed cables to the touch screen using the included adhesive-backed raceway. A plastic cover with an opening for the raceway is attached to the rear housing to conceal any unused cutouts.

NOTE: For simplicity within this guide, the term "MSMK" is used to refer to both the TS-7-MSMK and TS-10-MSMK except where noted.

Check the Box

Item	Qty
TS-7-MSMK or TS-10-MSMK	
Coupler, Plastic (P/N 2049574)	2
Fitting, Plastic, Inside Corner (P/N 2049571)	1
Fitting, Plastic, Outside Corner (P/N 2049572)	1
Fitting, Plastic, Right Angle (P/N 2049573)	2
Raceway, PVC, 3 ft x 0.45 in. x 0.77 in. (P/N 2049567)	3
Screw, 4-40 x 3/8 in., Undercut Head, Phillips, Black (P/N 2007173)	4
TS-7-MSMK-B and TS-7-MSMK-W Only	
Template, Overlay, Mounting Cap, TS-7-MSMK (P/N 4530137)	1
Template, Overlay, Mounting Housing, TS-7-MSMK (P/N 4530129)	1
TS-10-MSMK-B and TS-10-MSMK-W Only	
Template, Overlay, Mounting Cap, TS-10-MSMK (P/N 4529858)	1
Template, Overlay, Mounting Housing, TS-10-MSMK (P/N 4530128)	1
TS-7-MSMK-B Only	
Bracket, Plastic, with Adhesive, Black (P/N 4529616)	1
Cap, Plastic, with Adhesive, Black (P/N 4529618)	1
Cover, Plastic, with Detents, Black (P/N 2052978)	1
TS-7-MSMK-W Only	
Bracket, Plastic, with Adhesive, White (P/N 4529615)	1
Cap, Plastic, with Adhesive, White (P/N 4529617)	1
Cover, Plastic, with Detents, White (P/N 2052977)	1
TS-10-MSMK-B Only	
Bracket, Plastic, with Adhesive, Black (P/N 4529597)	1
Cap, Plastic, with Adhesive, Black (P/N 4529599)	1
Cover, Plastic, with Detents, Black (P/N 2052933)	1
TS-10-MSMK-W Only	
Bracket, Plastic, with Adhesive, White (P/N 4529596)	1
Cap, Plastic, with Adhesive, White (P/N 4529598)	1
Cover, Plastic, with Detents, White (P/N 2052932)	1

Install the MSMK

The following is required for this installation: a level, a roll of masking tape, a Phillips screwdriver, and a surface cleaning product that does not leave a film.

Use the following procedures to mount the MSMK onto a flat pane of glass or a similar smooth surface (such as granite, marble, plaster, or smooth stone and masonry). The adhesive on the MSMK mounting bracket attaches permanently to the surface.

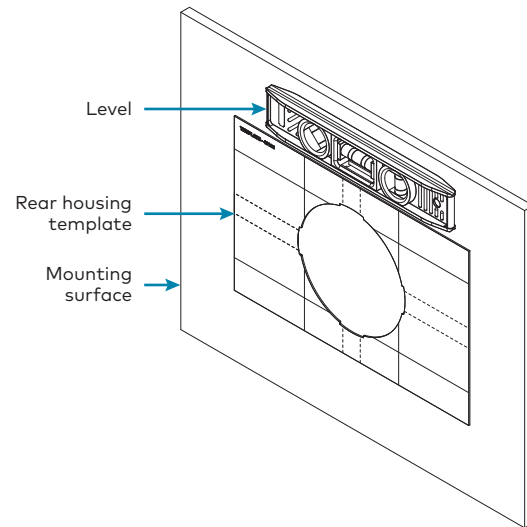
Position the Rear Housing Template

An overlay template for the rear housing is provided with the MSMK to help ensure that it remains level during installation.

NOTE: The rear housing template included with the TS-7-MSMK has the same dimensions as a TSS-7 or TSW-760, and the rear housing template included with the TS-10-MSMK has the same dimensions as a TSS-10 or TSW-1060. The template can be used as a reference to help select and mark a mounting location for the MSMK.

To attach the rear housing template:

1. Clean and dry the mounting surface thoroughly.
2. Select a mounting location for the MSMK and the raceway kit, and determine whether the raceway will be entering the MSMK from the top, bottom, left, or right cutout.
3. Use a level and masking tape to attach the included rear housing template to the surface at the chosen location. Ensure that the template is level before proceeding.



Install the Raceway Kit

The included raceway kit is designed to be installed on a nearby smooth surface to conceal cables running to the touch screen from the floor, ceiling, or an adjacent wall, pillar, or mullion. The raceway kit contains three cable channels, two flat elbows, one inside elbow, one outside elbow, and two couplings.

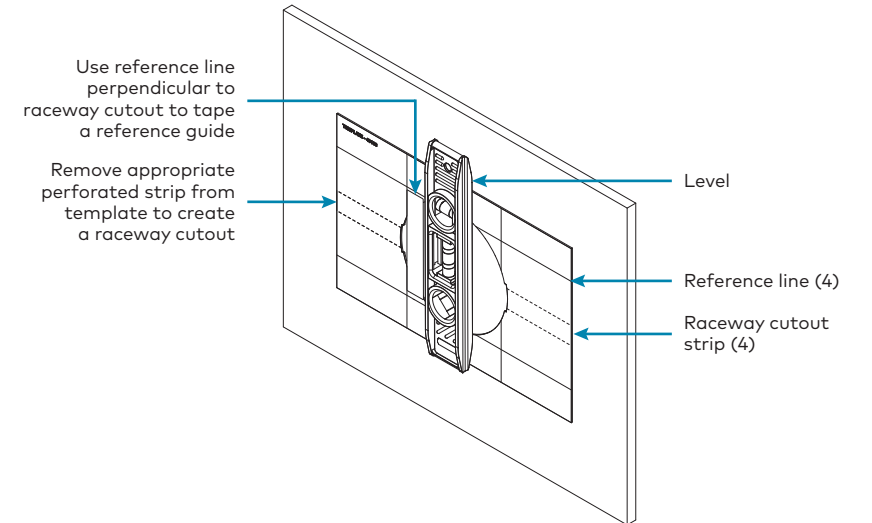
The raceway may be painted after installation to match the walls or the surrounding decor.

CAUTION: The raceway kit must be installed prior to installing the MSMK, and the location of the raceway cannot be changed once the MSMK is installed. The raceway kit cannot be installed on textured surfaces.

To install the raceway kit:

1. Create a raceway cutout by removing the appropriate perforated strip from the rear housing template. For example, if the raceway will enter the MSMK from the left side, remove the left perforated strip from the template.

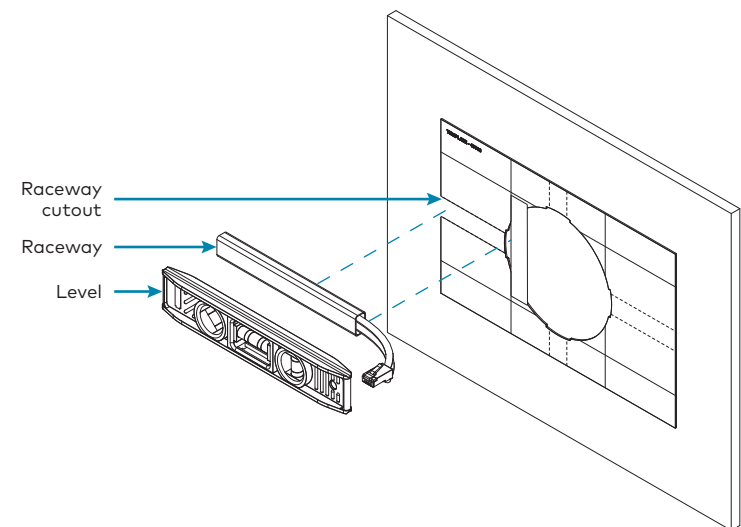
2. Use a level and the reference line on the template that is perpendicular to the chosen raceway cutout to tape a reference guide over the center cutout.



3. Use the template guides to cut the raceway to the required length. The end of the raceway that will enter the MSMK can also be cut to a specific shape for a finished appearance.
4. Route all necessary cables into the raceway. Press the sides of the raceway together to snap it shut.
5. Remove the protective liner from the rear of the raceway.
6. Use the chosen raceway cutout in the template and the taped reference line to position the raceway on the mounting surface. Ensure the raceway is level prior to adhesion.

CAUTION: The end of the raceway must not extend beyond the taped reference line. The rear housing will not install properly if the raceway extends beyond this line.

NOTE: The included plastic cover can be used as a template to help ensure that the raceway is level prior to adhesion.

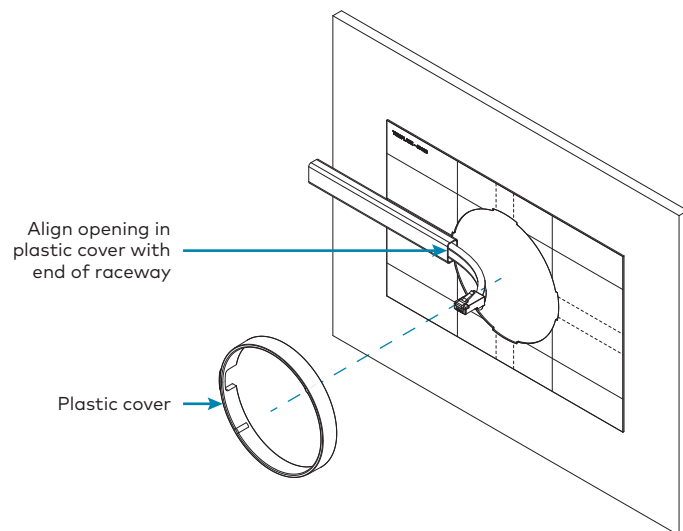


7. Press the raceway firmly against the mounting surface until it adheres completely.
8. Attach any elbows, couplings, and additional cable channels as necessary.
9. Remove the taped reference guide from the surface and template.



Attach the Rear Housing to the Surface

1. Place the included plastic cover into the center cutout of the rear housing template so that the end of the raceway enters the opening in the plastic cover. Ensure that the opening in the cover is facing toward the mounting surface.



2. While holding the cover in place, tape the outer ring of the cover to the template.

CAUTION: The tape must not be attached to the inner ring or the flat front surface of the plastic cover, as it cannot be removed easily once the rear housing is installed. The illustration below shows the correct application of the tape.

3. Loosely route the cables from the MSMK through the raceway opening in the plastic cover and out of the appropriate cutout (top, bottom, left, or right) of the rear housing.

4. Remove the protective liner from the back of the rear housing.

CAUTION: The adhesive on the back of the rear housing is high-strength bond. Once the adhesive comes in contact with a surface, it cannot be removed easily.

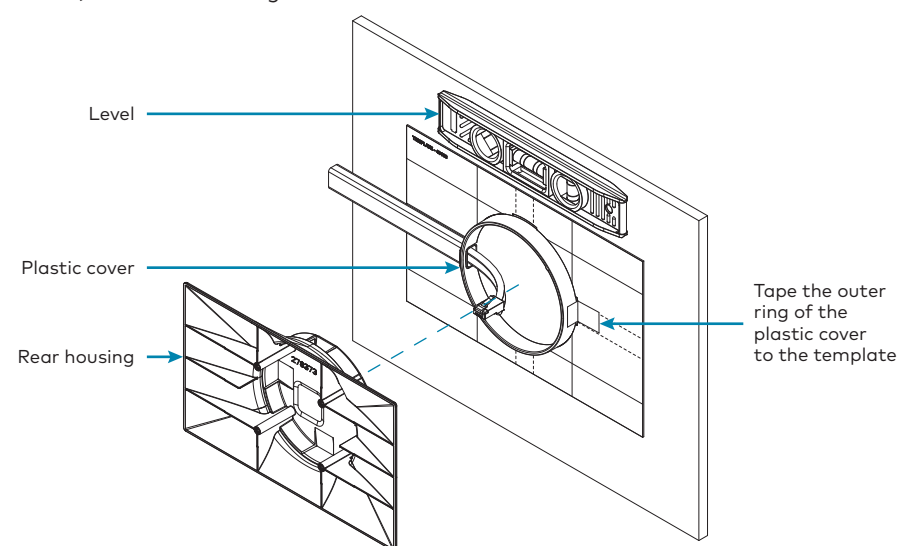
5. Hold the rear housing at an angle so that the short, straight edge of the housing with the chosen raceway cutout mates with the end of the raceway. Do not allow the adhesive to come in contact with the surface.

6. Slide the circular base of the rear housing into the plastic cover without allowing the adhesive to come in contact with the surface. Two detents in the plastic cover help to lock the housing into the cover while providing some "play" for leveling.

7. Place a level on top of the rear housing.

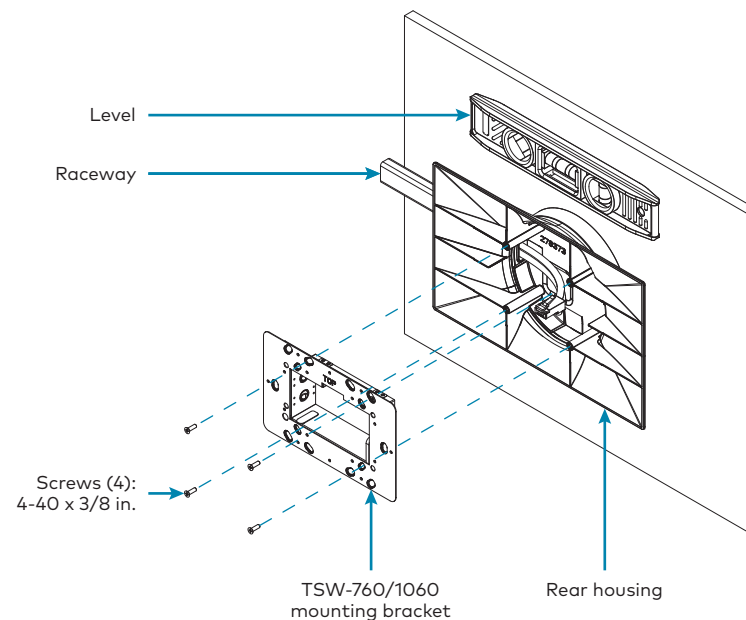
8. After confirming that the rear housing is level, press its circular base to the mounting surface firmly to ensure proper adhesion and to eliminate any trapped air bubbles.

NOTE: The adhesive wet area (the total area of the adhesive that is free of air bubbles or debris) must be 60% or greater.



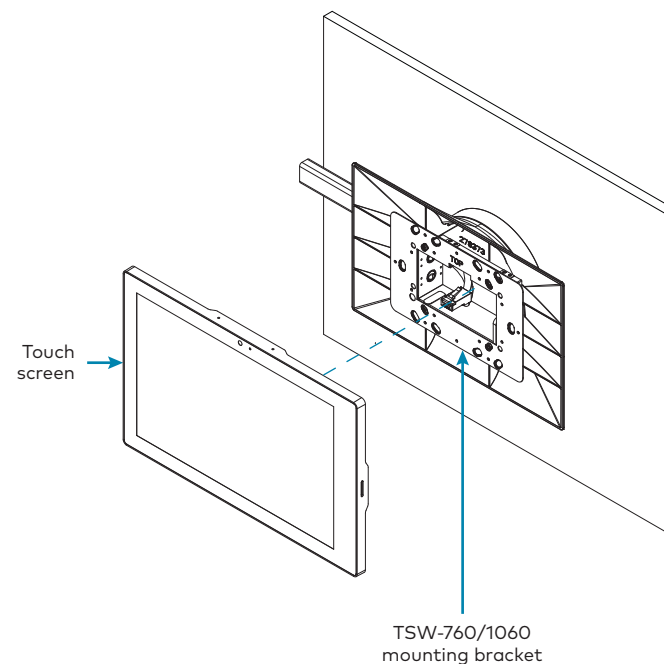
Attach the TSW-760/1060 Mounting Bracket to the MSMK

1. Cut the rear housing template off of the surface and remove any existing tape guides.
2. Use the included 4-40 x 3/8 in. screws to attach the TSW-760/1060 mounting bracket (included with the touch screen) to the four screw holes in the rear housing.
 - Ensure that the "TOP" text on the TSW-760/1060 mounting bracket is right side up.
 - Use a level to adjust the mounting bracket position to ensure it is centered and level.



Attach the Touch Screen to the MSMK

1. Connect all cables to the rear of the touch screen.
2. Push the touch screen gently into the mounting bracket until the rear of the touch screen snaps into place inside the mounting bracket.



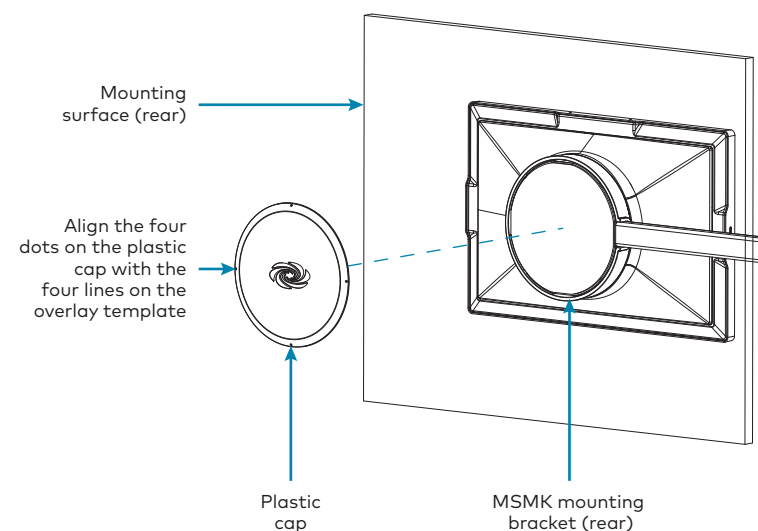
Install the Plastic Cap (Optional)

To provide a finished appearance for installations on glass or other transparent surfaces, install the included molded plastic cap on the opposite side of the surface behind the MSMK:

To install the plastic cap:

1. Clean and dry the rear of the mounting surface thoroughly.
2. Use a level to align the included plastic cap template with the circular base of the mounting bracket on the opposite side of the surface.
3. Tape the plastic cap template to the mounting surface.
4. Remove the protective liner from the rear of the plastic cap.

CAUTION: The adhesive on the rear of the plastic cap is high-strength bond. Once the adhesive comes in contact with a surface, it cannot be removed easily. If the logo on the plastic cap is crooked after installation, it cannot be rotated.
5. Using the overlay template as a guide, hold the plastic cap over the center of the rear housing's circular base, and then align the four dots on the plastic cap with the four lines on the template. Do not allow the adhesive to come in contact with the surface.
6. Attach the plastic cap to the surface, starting with the bottom edge. Press the plastic cover to the surface firmly to ensure proper adhesion and to eliminate any trapped air bubbles.



Additional Information

Scan or click the QR code for detailed product information.



TS-7-MSMK



TS-10-MSMK

Compliance and Legal

Original Instructions: The U.S. English version of this document is the original instructions. All other languages are a translation of the original instructions.

The product warranty can be found at www.crestron.com/warranty.

The specific patents that cover Crestron products are listed at www.crestron.com/legal/patents.

Certain Crestron products contain open source software. For specific information, please visit www.crestron.com/opensource.

Crestron and the Crestron logo are either trademarks or registered trademarks of Crestron Electronics, Inc. in the United States and/or other countries. Other trademarks, registered trademarks, and trade names may be used in this document to refer to either the entities claiming the marks and names or their products. Crestron disclaims any proprietary interest in the marks and names of others. Crestron is not responsible for errors in typography or photography.

©2019 Crestron Electronics, Inc.

Crestron Electronics, Inc.
15 Volvo Drive, Rockleigh, NJ 07647
Tel: 888.CRESTRON
Fax: 201.767.7576
www.crestron.com

Quick Start - Doc. 8428A
(2053192)
03.19

Specifications subject to change without notice.