

Crestron Flex Tabletop UC Video Conference System for Microsoft Teams® Rooms

The Crestron Flex Tabletop UC Video Conference System for Microsoft Teams Rooms ([UC-M130-T](#)) delivers a powerful, professional solution for knowledge workers who want the Microsoft Teams software experience in small to midsize meeting and conference rooms.

The UC-M130-T allows the installer to select a direct connection method for simplified installation and configuration or a network connection for network management of included system components.

View the [Crestron Flex Pre-Deployment Checklist](#) to help plan your Crestron Flex installation.

Minimum Requirements

- A video display, connected to the UC-ENGINE-SD
- A Microsoft Teams or Skype® for Business software account
- An environment running Microsoft Exchange Server® software (2013 SP1 or later for on-premises installation or Microsoft 365™ software for Cloud) for scheduling and/or Skype for Business 2015 (on-premises installation or Microsoft 365 software for Cloud)
- HDMI® cable to connect an HDMI source (CBL-HD-20 HDMI cable sold separately)*

* Crestron recommends using Crestron cables only. For optimum performance, Crestron offers the [UC-M-ACCY KIT](#) which includes the required hookup cables.

Optional Accessories

- [CCS-UCA-SMK](#) Swivel Mount Kit
- [CCS-UCA-MIC KIT](#) Microphone Pods

In the Box

UC Engine Bracket Assembly

- 1 UC-BRKT-100-SD-ASSY (6511033)
- 1 Power cord
- Mounting Hardware

Crestron Mercury® Tabletop Conference System for Microsoft Teams Software

- 1 CCS-UC-1-T-V (6510716)
- 1 Cable, CAT5e, RJ-45 Male - RJ-45 Male, 12 ft (3.6 m) (2033988)
- Cable Management Hardware

Accessories

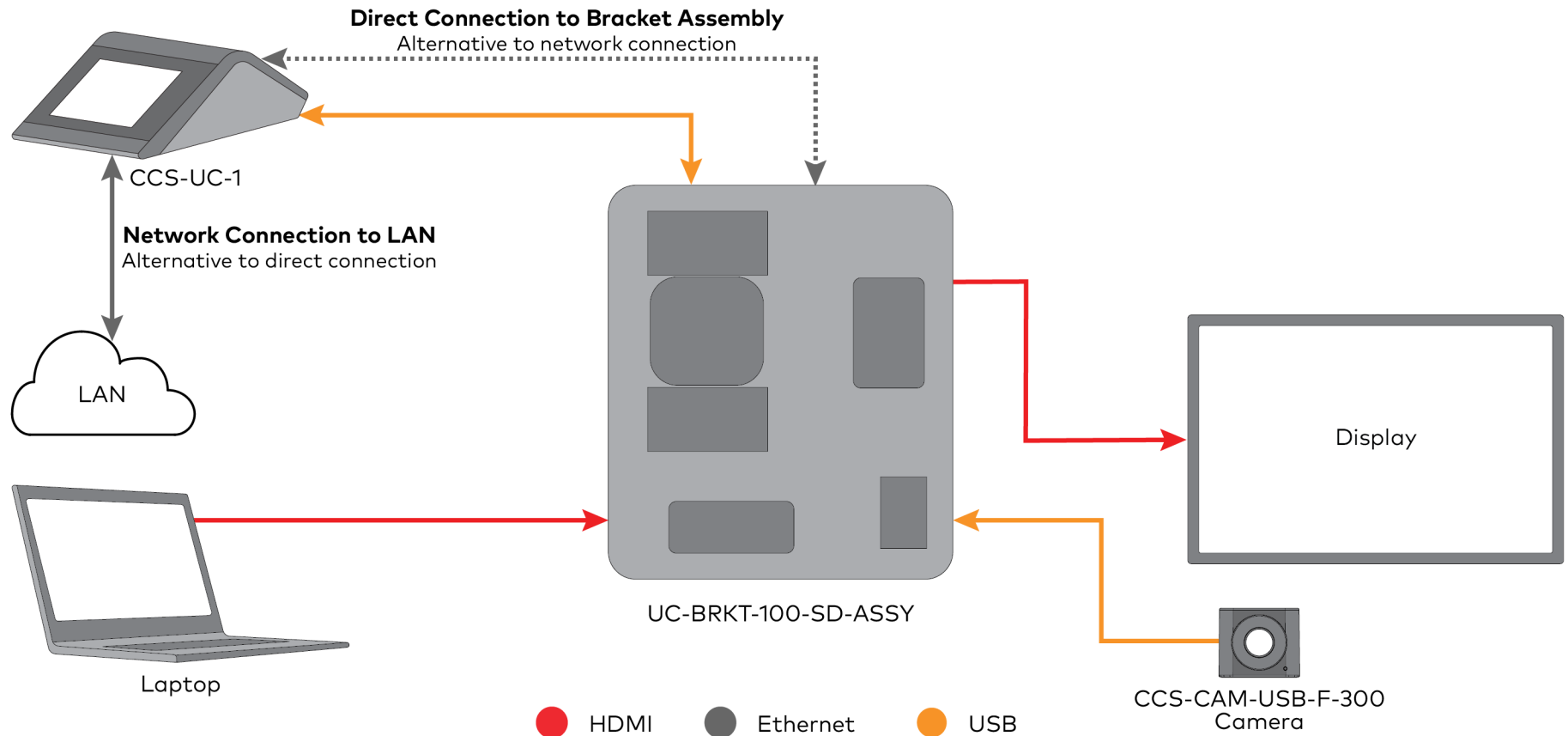
- 1 CCS-CAM-USB-F-300, Huddly GO® Collaboration Camera (6510481)
- 1 PW-2420RU, Power Supply (6500187)
- 1 CBL-CAT5E-7, CAT5e cable, RJ-45-to-RJ-45, Black, 7 ft (2.1 m) (6509924)
- 1 CBL-USB-A-BMICRO-6, USB 2.0 A - Micro-B, 6 ft (1.8 m) (6510947)
- 1 CBL-USBC-HD-9, USB 3.0 to HDMI Converter cable, 9 ft (2.7 m) (6510718)
- 1 CBL-USB-A-EXT-15 USB Extension Cable, Type A Male-to-Female, 15 ft (4.6 m) (6508260)

Crestron Flex Tabletop UC Video Conference System for Microsoft Teams® Rooms



Overview

The following diagram illustrates standard system connections. In addition, two different connection methods for the CCS-UC-1 are available — direct or network connection. Both the direct connection and network connection methods are shown below to help determine the appropriate method for your solution. See pages [4](#) and [5](#) for more information. The room display and laptop are not included with this conference system.

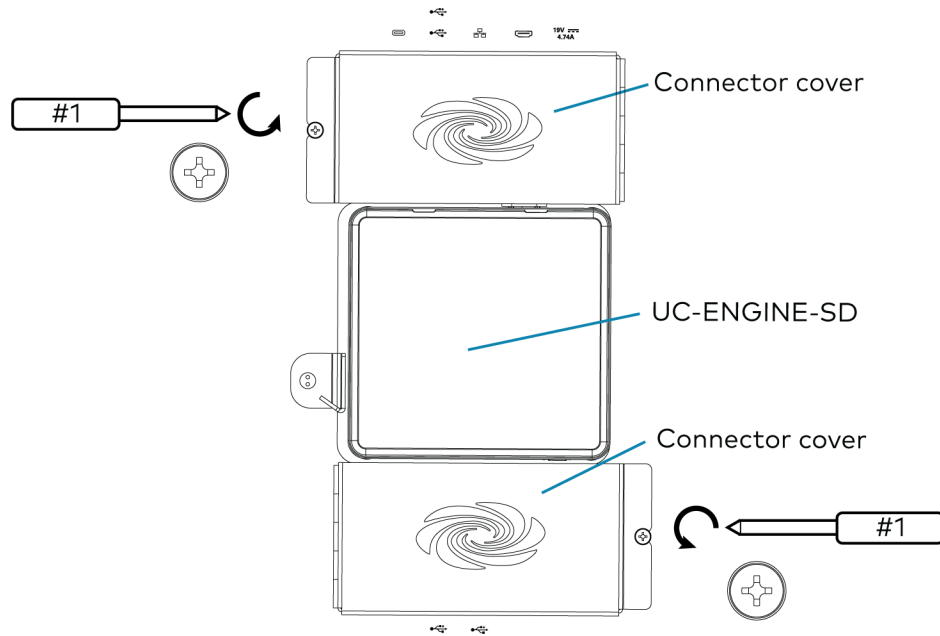


Crestron Flex Tabletop UC Video Conference System for Microsoft Teams® Rooms



Connect

1. Remove the connector covers prior to making UC-ENGINE-SD connections on the bracket assembly.



2. Make connections to the Crestron Mercury device and UC-BRKT-100-SD-ASSY bracket assembly as shown in the following illustrations.

The Crestron Mercury device can communicate with the UC-ENGINE-SD over a direct connection or a network connection.

- Choose a direct connection to the UC-ENGINE-SD for simple installation and setup.
- Choose a network connection if the Crestron Mercury device is to be managed by the Crestron XiO Cloud™ service.

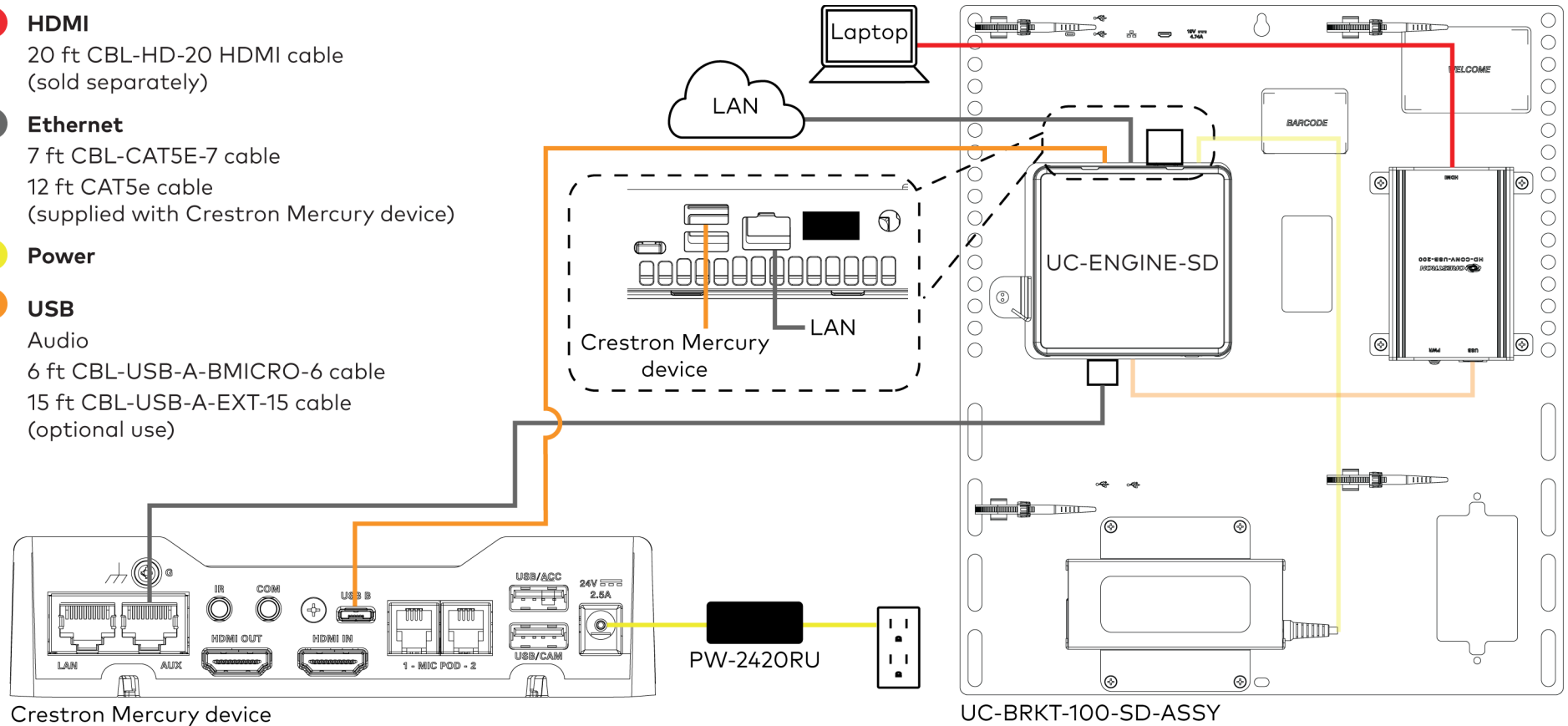
Crestron Flex Tabletop UC Video Conference System for Microsoft Teams® Rooms

Direct Connection

For simplified installation and configuration, use a direct Ethernet connection between the Crestron Mercury device and the USB-to-RJ-45 Ethernet Adapter on the bottom of the UC-ENGINE-SD.

OPTIONAL: To use the Crestron XiO Cloud service with a direct Ethernet connection, make an additional LAN connection from the Crestron Mercury device's LAN port to the LAN as shown on the following page.

- **HDMI**
20 ft CBL-HD-20 HDMI cable
(sold separately)
- **Ethernet**
7 ft CBL-CAT5E-7 cable
12 ft CAT5e cable
(supplied with Crestron Mercury device)
- **Power**
- **USB**
Audio
6 ft CBL-USB-A-BMICRO-6 cable
15 ft CBL-USB-A-EXT-15 cable
(optional use)

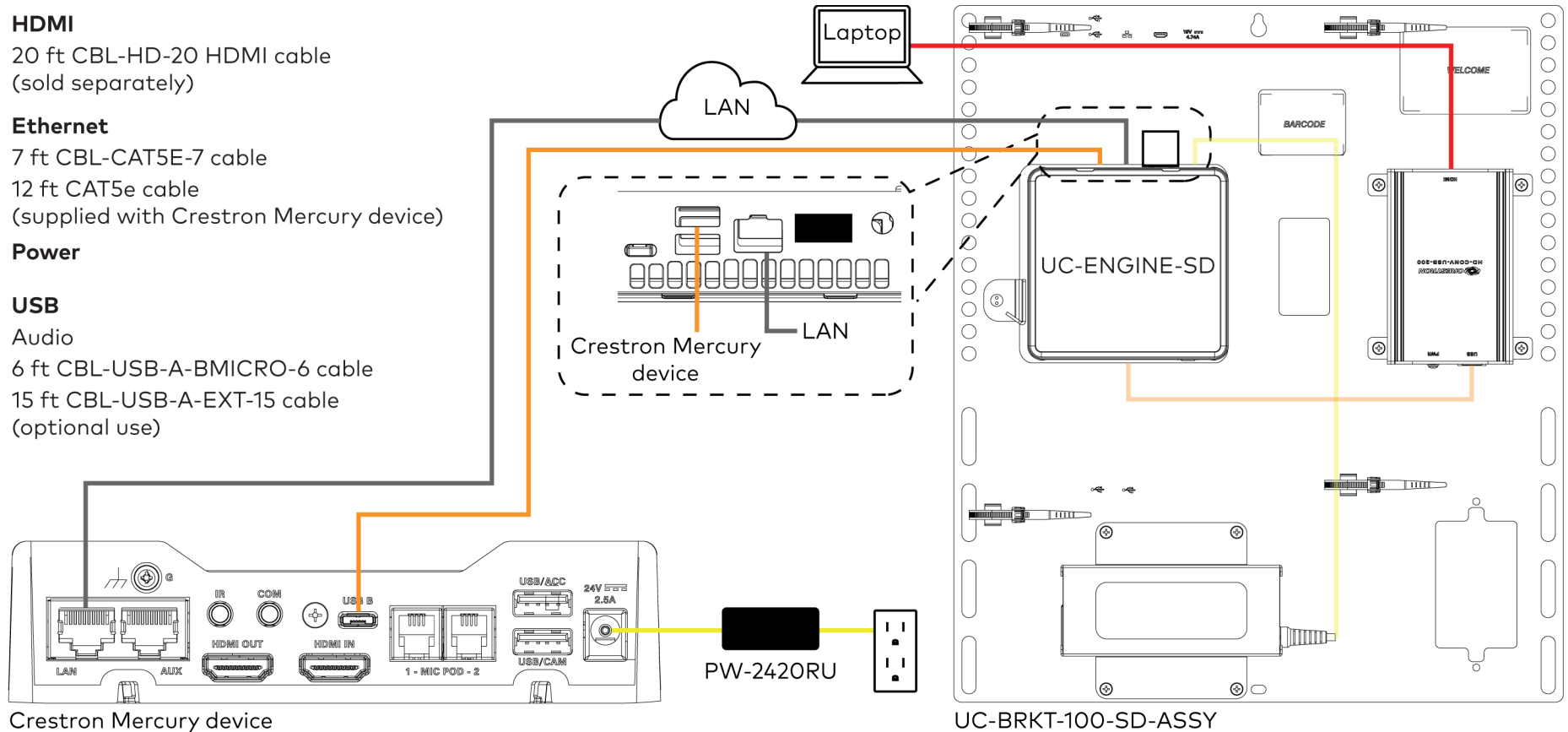


Crestron Flex Tabletop UC Video Conference System for Microsoft Teams® Rooms

Network Connection

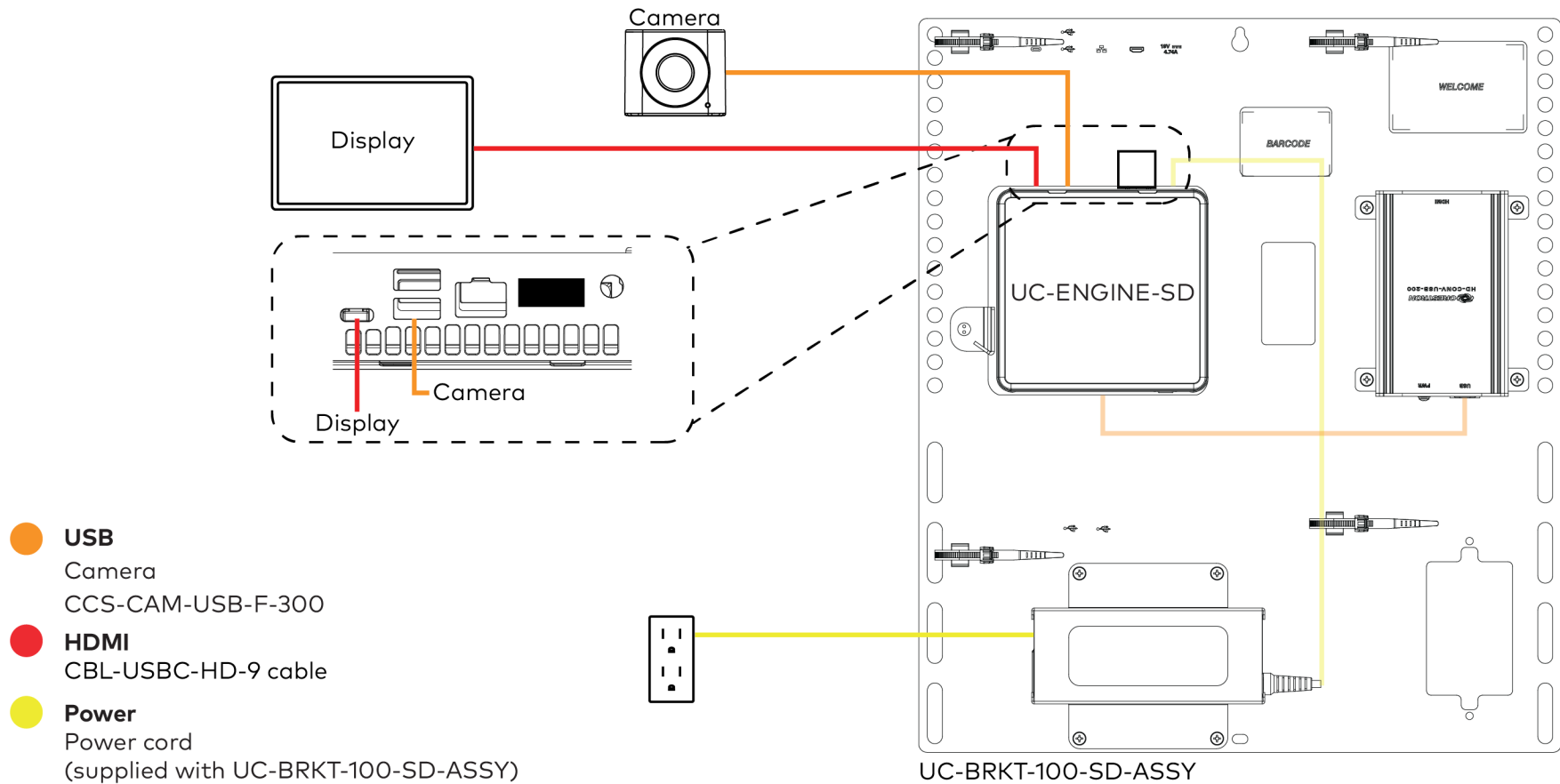
Use the network connection for full network control of the Crestron Mercury device with the Crestron XiO Cloud™ service. The LAN port on the Crestron Mercury device connects to the UC-ENGINE-SD over the VLAN.

- **HDMI**
20 ft CBL-HD-20 HDMI cable
(sold separately)
- **Ethernet**
7 ft CBL-CAT5E-7 cable
12 ft CAT5e cable
(supplied with Crestron Mercury device)
- **Power**
- **USB**
Audio
6 ft CBL-USB-A-BMICRO-6 cable
15 ft CBL-USB-A-EXT-15 cable
(optional use)



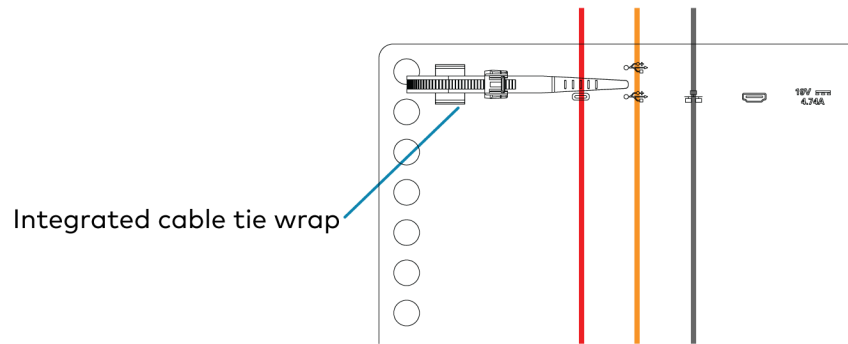
Crestron Flex Tabletop UC Video Conference System for Microsoft Teams® Rooms

3. Connect the display device and camera to the UC-ENGINE-SD as shown below.



Crestron Flex Tabletop UC Video Conference System for Microsoft Teams® Rooms

- Bundle the cables with the integrated cable tie wraps. The cable tie wraps are reusable.



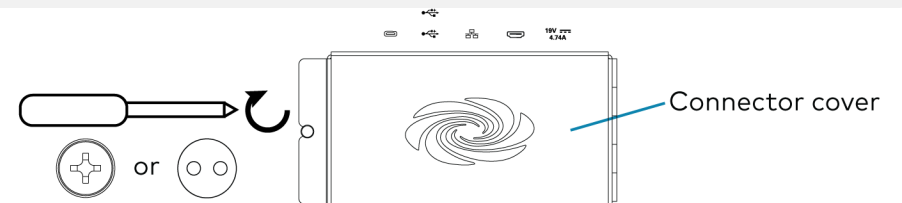
Integrated cable tie wrap



Complete the Installation

After completing UC-ENGINE-SD connections, secure the connector covers using a #1 Phillips head screwdriver to replace the screws.

NOTE: For additional security, replace the screws with the spanner screws included with the bracket assembly. A 1/4 in. bit is also supplied with the bracket assembly to install the spanner screws.



Crestron Flex Tabletop UC Video Conference System for Microsoft Teams® Rooms



Configure

Apply Power

Press the power button on the bottom of the UC-ENGINE-SD and apply power to all of the other devices in the system.

Configure the Crestron Mercury Device

NOTE: If the Crestron Mercury device is directly connected to the UC-ENGINE-SD, skip to "Configure the System." Otherwise, continue below.

1. On a computer, open a web browser to the IP address displayed on the Crestron Mercury device to configure the device to operate in Teams Video mode.

NOTES:

- The Crestron Mercury device and computer must be on the same network switch and VLAN.
- A login with administrative rights for the Crestron Mercury device is required.

2. Log in to the Crestron Mercury device and navigate to **DEVICE > Applications**.

3. Enter the following information in the appropriate fields:

- **Teams Video PC Address:** Enter the IP address or hostname of the UC-ENGINE-SD.

NOTE: The hostname is printed on a label affixed to the UC-ENGINE-SD (mounted on the bracket assembly).

- **Teams Video PC Port:** By default, port number 49500 is used. If a different port number has been configured on the UC-ENGINE-SD, enter that port number instead.
- **Teams Video Username:** Enter the login username for the UC-ENGINE-SD. (The default username is "admin".)
- **Teams Video Password:** Enter the login password for the UC-ENGINE-SD. (The default password is "sfb".)

4. Click **Save Changes**.

For more information, refer to the [CCS-UC-1 Product Manual](#) (Doc. 7844).

Configure the System

Use the Crestron Mercury device and your Microsoft Teams or Skype account credentials to configure the UC-ENGINE-SD. Refer to the [Crestron Flex UC Video Conference Systems Supplemental Guide](#) (Doc. 8360).

Crestron Flex Tabletop UC Video Conference System for Microsoft Teams® Rooms



Visit the Product Page

Scan the QR code to visit the product page.

UC-M130-T



www.crestron.com/model/6511039

Additional Information

Original Instructions

The U.S. English version of this document is the original instructions.
All other languages are a translation of the original instructions.

Crestron product development software is licensed to Crestron dealers and Crestron Service Providers (CSPs) under a limited nonexclusive, nontransferable Software Development Tools License Agreement. Crestron product operating system software is licensed to Crestron dealers, CSPs, and end-users under a separate End-User License Agreement. Both of these Agreements can be found on the Crestron website at www.crestron.com/legal/software_license_agreement.

The product warranty can be found at www.crestron.com/warranty.

The specific patents that cover Crestron products are listed at www.crestron.com/legal/patents.

Certain Crestron products contain open source software. For specific information, visit www.crestron.com/opensource.

Crestron, the Crestron logo, Crestron Mercury, and Crestron XiO Cloud are either trademarks or registered trademarks of Crestron Electronics, Inc. in the United States and/or other countries. HDMI and the HDMI logo are either trademarks or registered trademarks of HDMI Licensing LLC in the United States and/or other countries. Huddly GO is either a trademark or registered trademark of Huddly AS in the United States and/or other countries. Microsoft 365, Microsoft Exchange Server, Microsoft Teams, and Skype are either trademarks or registered trademarks of Microsoft Corporation in the United States and/or other countries. Other trademarks, registered trademarks, and trade names may be used in this document to refer to either the entities claiming the marks and names or their products. Crestron disclaims any proprietary interest in the marks and names of others. Crestron is not responsible for errors in typography or photography.

HDMI

©2020 Crestron Electronics, Inc.

Doc ID 8464E

07/22/20