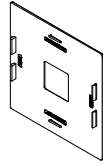
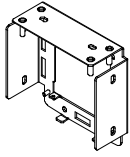


Contents

The following items are included with the Crestron® roller shade assembly to ensure proper installation.

Mounting Bracket (2)

End Cap (2)



Quick Disconnect
(1 Male, 1 Female)



Roller Shade



The following item is available to order with the roller shade assembly or separately.

Fascia
(Available Square or Curved, with Top or Back Cover or Headbox)

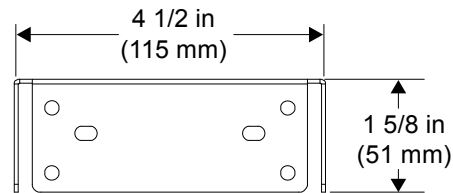
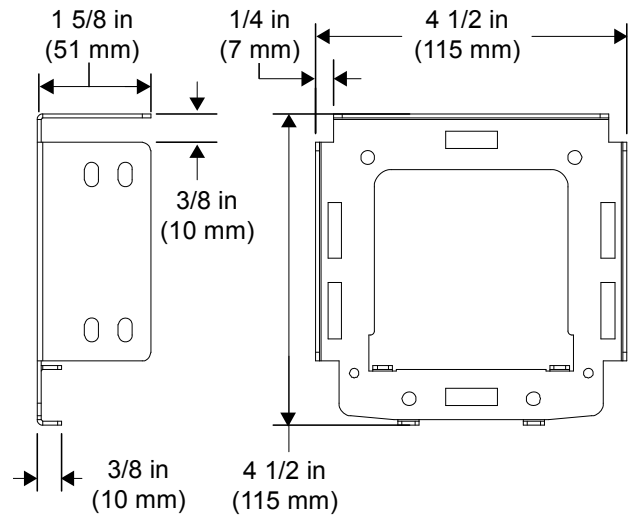


Install the Brackets and Roller Shade Assembly

WARNING: If the shade is obstructed during operation, excessive torque (greater than 4.43 lbf·ft (6 N·m) may be created before the motor stops. This excessive torque can and may cause injury if the brackets are not securely fastened in such a way that it supports at least 75 lb (34 kg). Further, when using the Architectural Series mounting brackets, the horizontal lock screw must be sufficiently tightened to prevent the roller shade assembly from any possible movement. Failure to comply with the installation guide may cause injury.

The Architectural Series Motorized Shades are mounted to the wall using the two supplied brackets. The end caps and roller shade assembly then attach to the brackets. Refer to the following illustrations for bracket dimensions.

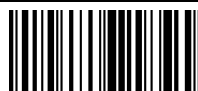
Dimensions – Mounting Bracket



1. Hold the roller shade assembly in the approximate mounting location and check for proper fit. If using a fascia, use the fascia to help measure proper distance between mounting brackets.
2. Ensure that the mounting points are level with each other and mark the locations of the brackets.

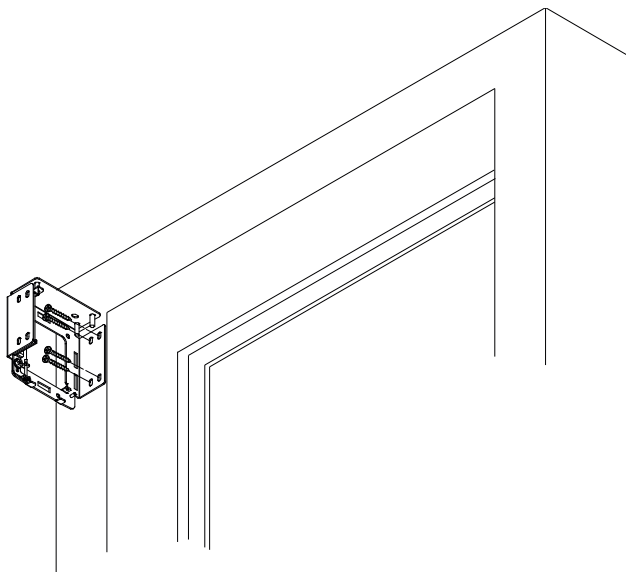
NOTE: If using end caps, be sure to leave enough space for the end cap width.

3. If using end caps, attach the end caps to the mounting brackets following the stamped directions on the end caps.
4. Fasten the brackets to the outside of the window frame (outside mount) or inside of the window frame (inside mount) using the appropriate hardware for the mounting surface. Make sure the brackets are level and on a flat surface for best results. The side of the bracket that is missing must always be face down. Refer to the mounting illustrations on the following page for details.

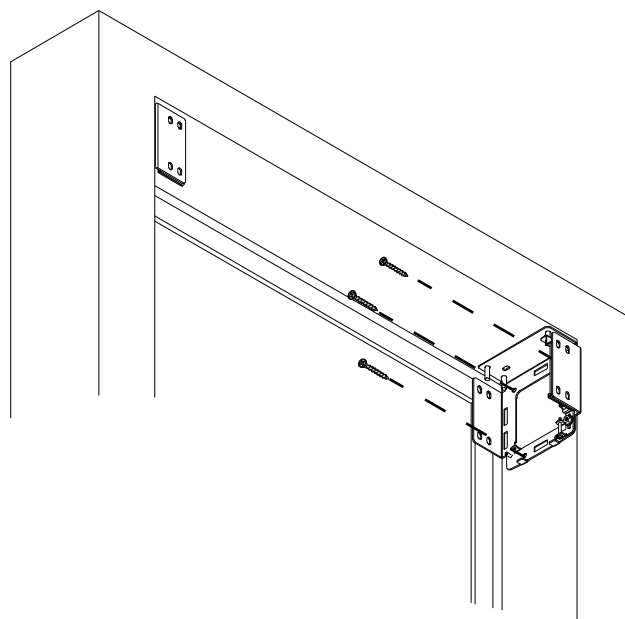


NOTE: Ensure that the adjustable side of the bracket faces the window.

Left Mounting Bracket – Outside Mount

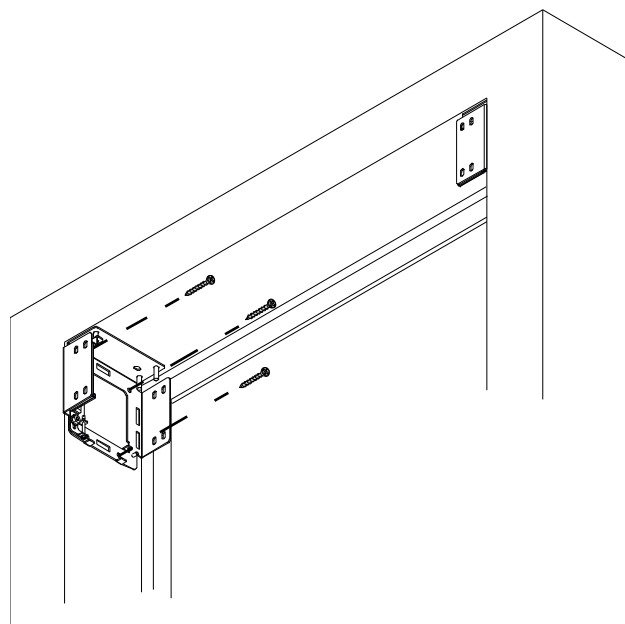
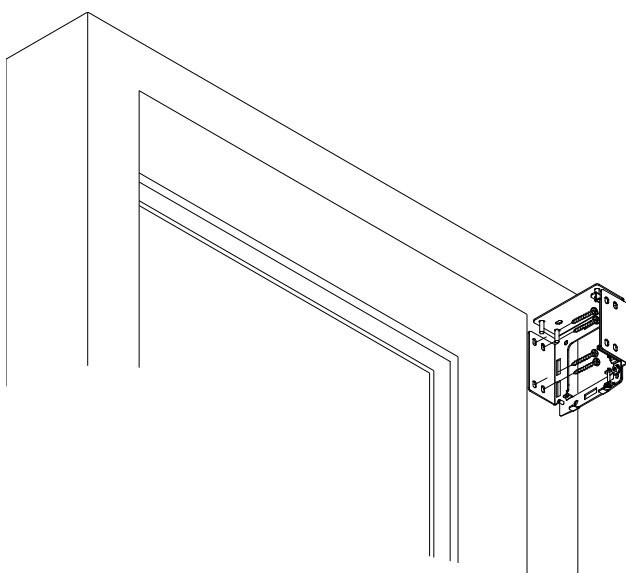


Right Mounting Bracket – Inside Mount



Left Mounting Bracket – Inside Mount

Right Mounting Bracket – Outside Mount



NOTE: For inside mounts, mounting brackets may be screwed into the window jamb (as pictured above) or into the window header.

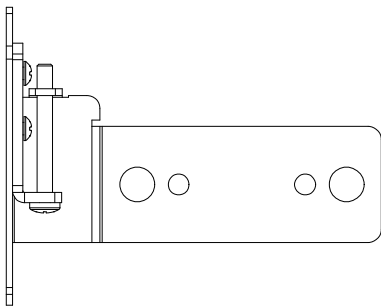
NOTE: When using a fascia, align the brackets with the width of the fascia before screwing them to the header.

5. If not already connected, connect the motor cable to the motor head before proceeding.

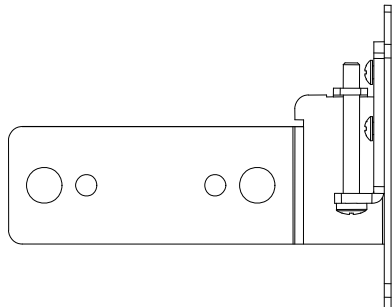
NOTE: If using a coupler in the roller shade assembly, continue the installation using the “Assemble the Coupler (Optional)” section beginning on page 4.

6. Ensure the adapter brackets are paired correctly. Depending on the individual order, the roller shade assembly either has a left end motor adapter bracket and a right end idler adapter bracket or it has a right end motor adapter bracket and a left end idler adapter bracket. Refer to the following images to ensure a correct pairing.

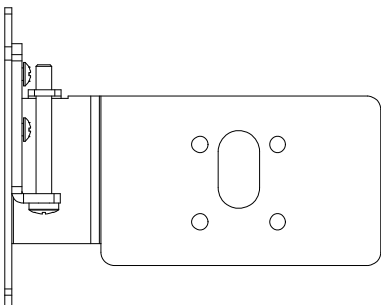
Left End Motor Adapter Bracket (Pairs with Right End Idler Adapter Bracket)



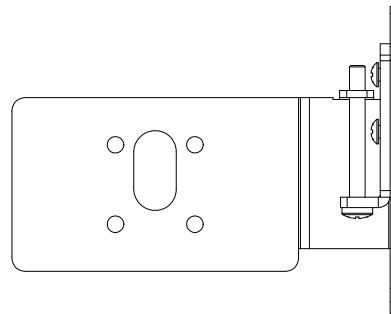
Right End Motor Adapter Bracket (Pairs with Left End Idler Adapter Bracket)



Left End Idler Adapter Bracket (Pairs with Right End Motor Adapter Bracket)

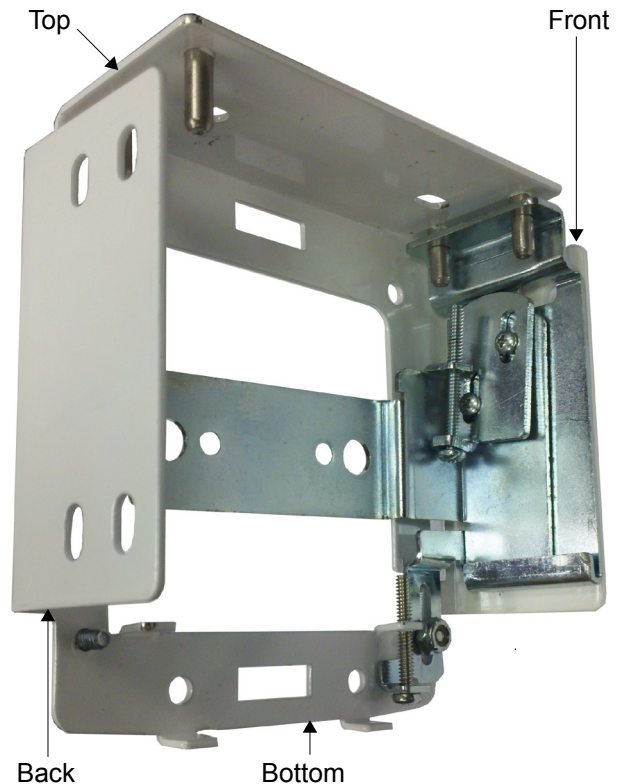


Right End Idler Adapter Bracket (Pairs with Left End Motor Adapter Bracket)

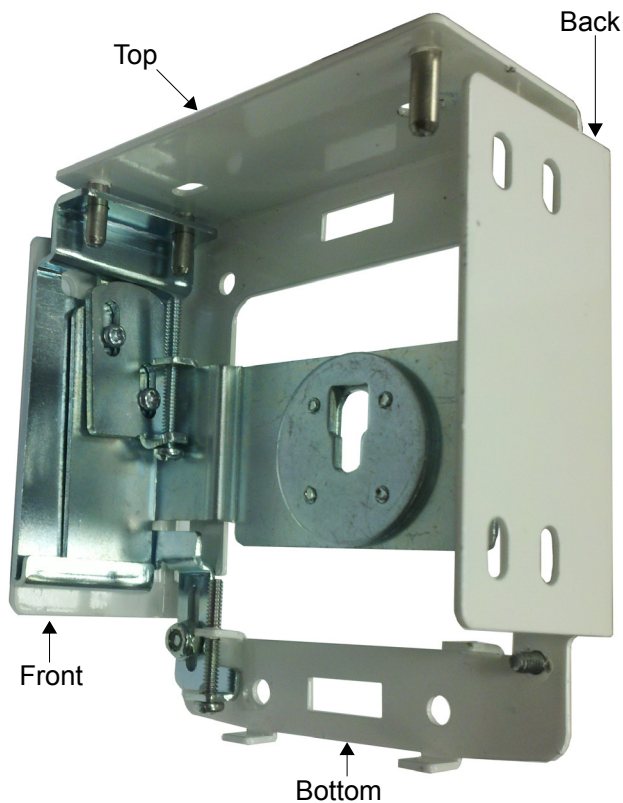


7. Raise the roller shade assembly to the mounting bracket and place the motor adapter bracket into the top of the mounting bracket. Rotate the roller shade assembly until the motor adapter bracket slides into the channel of the mounting bracket. Repeat this process for the idler adapter side of the roller shade assembly. The images that follow show assembled adapter brackets without the roller shade assembly.

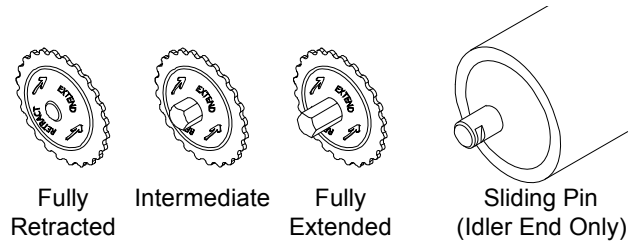
Right End Mounting Bracket with Right End Motor Adapter Bracket (Roller Shade Assembly Not Shown)



Left End Mounting Bracket with Left End Idler Adapter Bracket (Roller Shade Assembly Not Shown)

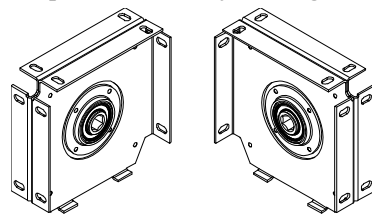


Coupler Ring with Positions



Using a coupler bracket allows the motor-driven shade to drive all of the shades using their retractable pin. The illustration below shows the left and right views of a coupler bracket.

Coupler Bracket – Left and Right Views



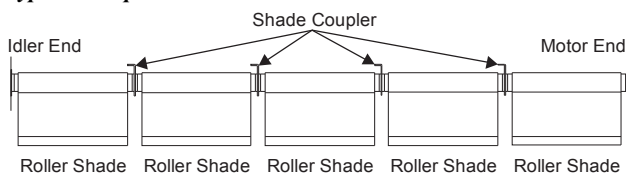
Use the following procedure to assemble a coupled shade solution.

1. Measure and mark the wall, jamb, or ceiling for placement of the coupler bracket. Ensure that the bracket is even and level with the other installed brackets.
2. Using appropriate hardware, install the coupler bracket to the mounting surface.
3. Ensure the retractable pin of the roller shade assembly is fully retracted. Refer to the “Coupler Ring with Positions” illustration above.
4. Raise the roller shade assembly to the mounting bracket and place the motor adapter bracket into the top of the mounting bracket. Refer to the “Right End Mounting Bracket with Right End Motor Adapter Bracket (Roller Shade Assembly Not Shown)” illustration shown on the previous page for details.
5. Align the coupler ring side of the roller shade assembly with the coupler bracket.
6. Rotate the coupler ring clockwise (when facing the coupler ring of the roller shade) until the retractable pin slides into the channel of the mounting bracket. The retractable pin should extend through the other side of the bracket. Refer to the illustrations that follow for details.

Assemble the Coupler (Optional)

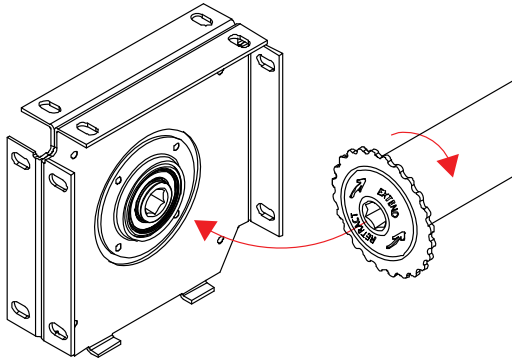
The coupler is an optional installation accessory that allows several shades to be installed next to each other and controlled with a single motor.

Typical Coupled Roller Shade Installation

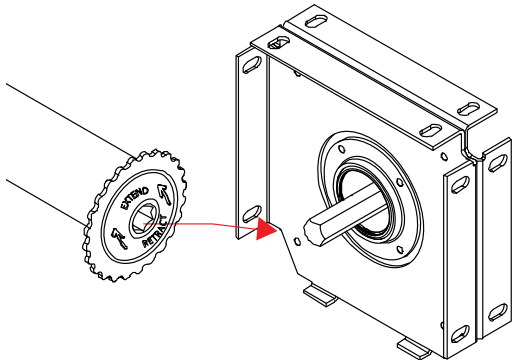


Coupled shades come with a coupler ring at the end where an idler pin would normally be located. Rotate the coupler ring according to the stamped directions to retract or extend the retractable pin.

Insert the Retractable Pin from the Roller Shade Assembly into the Coupler Bracket



The Retractable Pin Extends through the Coupler Bracket to Allow for Installation of the Additional Roller Shade



7. Repeat steps 1 through 6 until all coupled shades are installed.

Adjust the Fabric Height

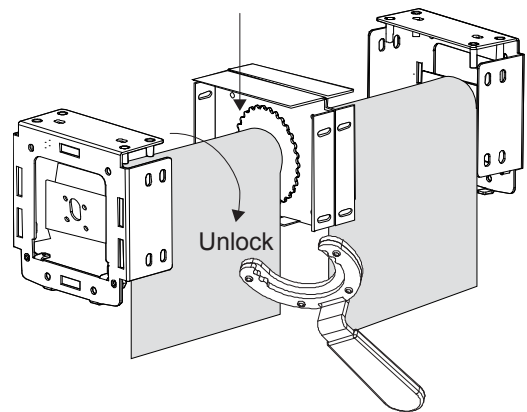
If needed, the fabric panel heights can be adjusted so that the bottom edges of the fabric panels are aligned. This procedure should be performed on only one panel at a time to minimize the amount of fabric weight that must be supported during the adjustment procedure.

1. Unlock the height adjuster mechanism located at the idler end of the roller shade assembly by using the included coupling adjustment wrench. Rotate the metal ring about 1/4 turn counterclockwise when viewing the face of the metal ring.

NOTE: Do not use this procedure to adjust the operator end of the assembly. Use the limits to set the travel of the motor end of the assembly.

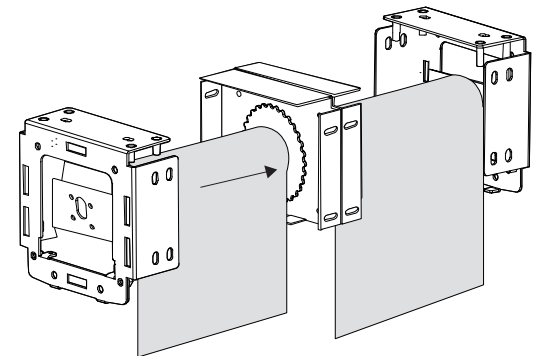
Unlock the Coupler

Unlock the coupler by rotating the metal ring about 1/4 turn counterclockwise.



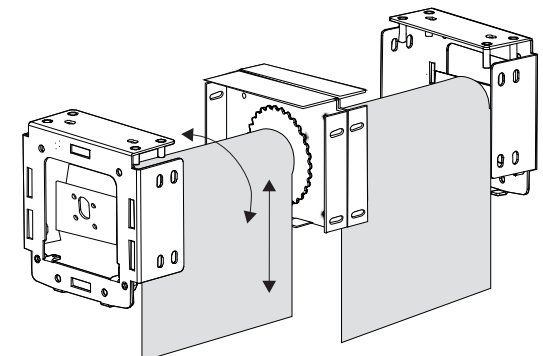
2. Push the roller shade assembly towards the motor end of the unit; the roller shade assembly moves approximately 3/16 in (5 mm). The roller shade assembly moves back into place when the assembly is released.

Push the Roller Shade Assembly towards the Motor End



3. Rotate the roller shade assembly in either direction to raise or lower the fabric panel until it is even with the motor end of the roller shade assembly.

Adjust the Fabric Height



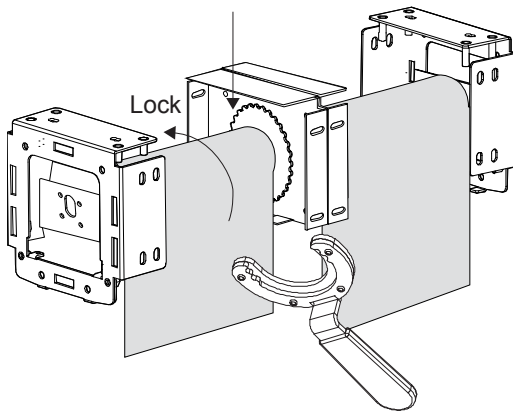
4. Allow the roller shade assembly to move back away from the motor end and check the position of the fabric panels.

CAUTION: Ensure that the locking ring is fully tightened following height adjustment. Make sure to use the included coupling adjustment wrench to grip the locking ring. Tighten the locking ring until it is fully locked and it cannot rotate any further.

5. Tighten the metal ring by using the included coupling adjustment wrench to rotate it about 1/4 turn clockwise.

Lock the Coupler

Lock the coupler by rotating the metal ring about 1/4 turn clockwise.

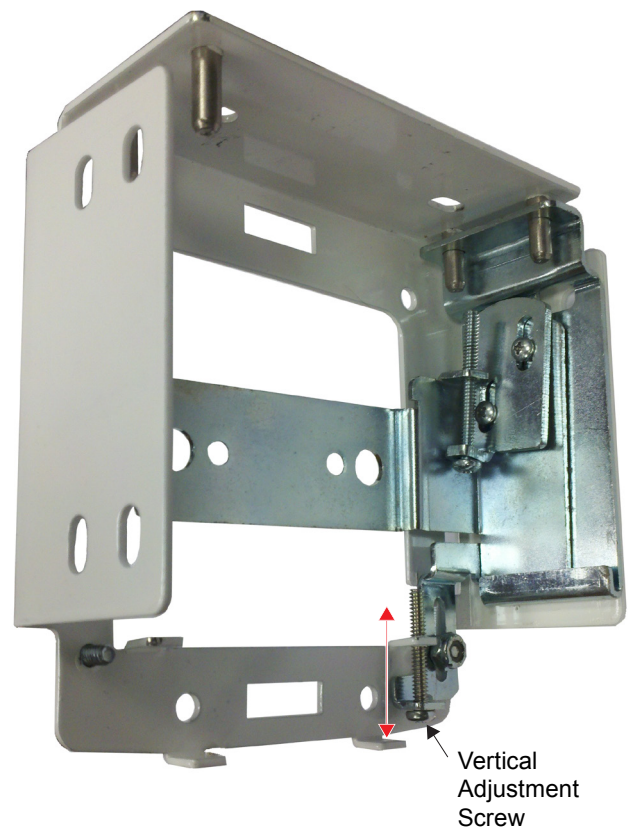


Adjust the Roller Shade Assembly

Once the roller shade assembly is installed, adjustments can be made to ensure that the shade is level and spaced properly in the window.

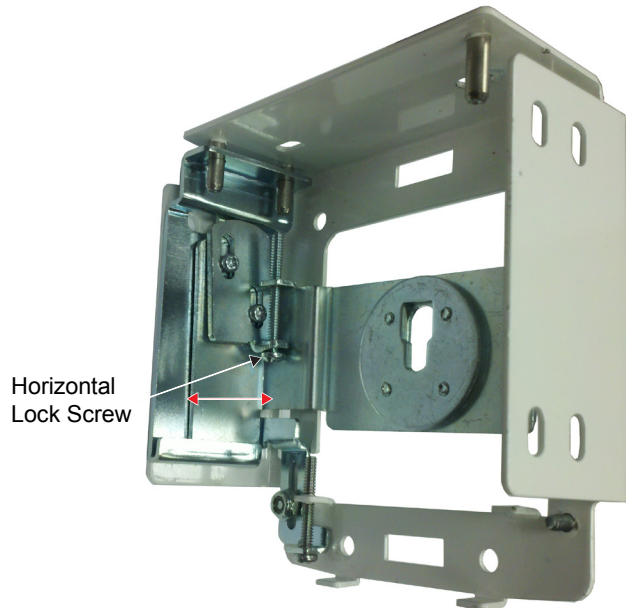
1. To change the shade height, adjust the vertical adjustment screw on the motor end until the shade is level vertically. If tightening or loosening the screw does not level the shade, adjust the shade so that it is as level as possible.

Vertical Adjustment Screw – Motor Adapter Bracket Shown (Roller Shade Assembly Not Shown)



2. To change the shade position so that it is centered on the window, loosen the horizontal lock screw and then slide the shade left or right until the shade is centered in the window.
3. Tighten the horizontal lock screw to lock the shade in place.

Horizontal Lock Screw – Idler Adapter Bracket Shown (Roller Shade Assembly Not Shown)



- Repeat steps 1 through 3 on the idler end of the assembly until the shade is properly positioned. If no adjustments are necessary, tighten the horizontal lock screw.

Mount the Fascia (Optional)

If the assembly was received with a fascia, attach it by pressing the fascia onto the mounting brackets. The fascia snaps into place.

NOTE: The fascia is not fully seated until it clicks into place on both ends. Once in place, check for a secure fit. If the fascia is not secure, secure it with an appropriate fastener (not included).

Wiring

For information on wiring this device, refer to the Crestron Roller Shades and Interfaces Wiring Guide (Doc. 7516) at www.crestron.com/manuals.

Programming and Setup

Before the roller shade can be operated, the device must be programmed and set up. For information on programming and setup of this device, refer to Crestron Roller Shades and Interfaces Programming and Setup Guide (Doc. 7361) at www.crestron.com/manuals.

Further Inquiries

To locate specific information or resolve questions after reviewing this guide, contact Crestron's True Blue Support at 1-888-CRESTRON [1-888-273-7876] or, for assistance within a particular geographic region, refer to the listing of Crestron worldwide offices at www.crestron.com/offices.

To post a question about Crestron products, log onto Crestron's Online Help at www.crestron.com/onlinehelp. First-time users must establish a user account to fully benefit from all available features.

Future Updates

As Crestron improves functions, adds new features, and extends the capabilities of the Architectural Series Motorized Shades, additional information may be made available as manual updates. These updates are solely electronic and serve as intermediary supplements prior to the release of a complete technical documentation revision.

Check the Crestron website periodically for manual update availability and its relevance. Updates are identified as an "Addendum" in the Download column.

The specific patents that cover Crestron products are listed at patents.crestron.com.

Crestron and the Crestron logo are either trademarks or registered trademarks of Crestron Electronics, Inc. in the United States and/or other countries. Other trademarks, registered trademarks, and trade names may be used in this document to refer to either the entities claiming the marks and names or their products. Crestron disclaims any proprietary interest in the marks and names of others. *Crestron is not responsible for errors in typography or photography.*

This document was written by the Technical Publications department at Crestron.
©2014 Crestron Electronics, Inc.

Crestron Shading Solutions Standard Limited Warranty

This limited warranty is applicable to Crestron Shading Solutions mounting hardware, shade fabric, DIGITAL QMT shade motors and QMT shade motors. For other Crestron products, such as wall controls, interfaces and system accessories, please refer to the Crestron Standard Limited Warranty. Batteries are not warranted by Crestron under this or any other warranty. This warranty gives you specific legal rights, and you may also have other rights which vary from state to state.

Limited Warranty

Subject to the exclusions and restrictions in this warranty, Crestron warrants that if any DIGITAL QMT shade motor is found to exhibit defects in material or workmanship under normal use for the lifetime of the product or if any mounting hardware, shade fabric or QMT shade motor is found to exhibit defects in material or workmanship under normal use during the time periods listed below from the date of purchase, so long as Customer promptly notifies Crestron of the defect and, if requested by Crestron, upon return of the defective product, Crestron will, at its sole discretion, either repair the defective product or issue a credit against the purchase price of comparable replacement product purchased from Crestron as follows.

Number of Years from Date of Purchase, as Applicable	Percentage Warranted by Crestron for			
	DIGITAL QMT Motors	QMT Motors	Mounting Hardware	Shade Fabric
Up to 5	100%	100%	100%	100%
More than 5 but not more than 8	100%	50%	50%	50%
More than 8	100%	0%	0%	0%

Replacement parts provided by Crestron or, at its sole discretion, an approved vendor may be new, used, repaired, reconditioned and/or made by a different manufacturer.

Terms and Conditions of Limited Warranty

This warranty extends to products purchased directly from Crestron or an authorized Crestron dealer. Purchasers should inquire of the dealer regarding the nature and extent of the dealer’s warranty if any. Repaired or replaced equipment and parts supplied under this warranty shall be covered only by the unexpired portion of the warranty on the original purchase. This warranty is provided only to the original purchaser of the Crestron equipment and shall not extend to subsequent owners. This warranty does not cover, and Crestron is not responsible for, labor costs to diagnose, remove, repair, replace, reinstall and/or program any Crestron product.

This warranty shall be null and void, and Crestron shall have no liability under the terms of this warranty, if the product has been used in an application or environment other than that for which it was intended or if it has been subjected to misuse, abuse, accidental damage, modification, improper repair or installation procedures, reinstallation in a new location, connection to a power supply not designed for Crestron shades, use in conjunction with fabric not provided by Crestron or adverse environmental factors including incorrect line voltages, improper wiring, improperly rated fuses or circuit breakers, insufficient ventilation or incorrect temperatures or an act of God. This warranty does not cover any product that has had the serial number altered, defaced or removed.

This warranty shall be the sole and exclusive remedy to the original purchaser. In no event shall Crestron be liable for incidental or consequential damages of any kind (property or economic damages inclusive) arising from the sale or use of this equipment. The Purchaser assumes responsibility and will hold Crestron harmless in respect of all such losses. Crestron’s liability on any claim for damages arising out of or in connection with the manufacture, sale, installation, delivery or use of the unit shall never exceed the purchase price of the unit. Crestron is not liable for any claim made by a third party or made by the Purchaser for a third party.

Further, Crestron shall have no liability for any claims of infringement of any patent, trademark, copyright or other intellectual property: if Crestron products are used in combination with other third party products or without Crestron’s express authorization; if the Crestron products were modified by anyone other than Crestron; for the use or sale of the product other than as specified and authorized in Crestron’s documentation; for the use or sale of any version of Crestron software other than the most current version.

Except as expressly set forth in this warranty, Crestron makes no other warranties, expressed or implied, nor authorizes any other party to offer any warranty, including any implied warranties or merchantability or fitness for a particular purpose. THE DURATION OF ANY IMPLIED WARRANTIES THAT MAY BE IMPOSED BY LAW, INCLUDING ANY IMPLIED WARRANTY OF MERCHANTABILITY OR FITNESS FOR A PARTICULAR PURPOSE, IS EXPRESSLY LIMITED TO THIS WARRANTY PERIOD. This warranty supersedes any and all previous warranties. Some states do not allow exclusion or limitation of incidental or consequential damages or limitations on how long an implied warranty lasts, so these limitations may not apply to you. Crestron’s obligations under any implied warranties shall be limited to the terms of this express warranty.

To Make A Warranty Claim

To make a warranty claim, promptly notify Crestron within the warranty periods described above by calling the Crestron Technical Support Center at 1-888-CRESTRON. Crestron, in its sole discretion, will determine what action, if any, is required under this warranty.

Most problems can be corrected over the phone through close cooperation between Customer and a Crestron technician. To better enable Crestron to address a warranty claim, please have the product’s serial and model numbers as well as its current operating system version, if applicable. If Crestron, in its sole discretion, determines that an on-site visit or other remedial action is necessary, Crestron may send a representative or coordinate the dispatch of a representative from a Crestron approved vendor, to Customer’s site, and/or coordinate a warranty service call between Customer and a Crestron approved vendor.