

## TSW-70 Series MUMK Panel Cover

The Crestron® [TSW-770/1070-MUMK-PNLCVR](#) is a replacement panel cover that allows a [TSW-770](#), [TSW-1070](#), [TSS-770](#), or [TSS-1070](#) series touch screen to be retrofitted into an existing TSW-60 series MUMK installation. The TSW-770/1070-MUMK-PNLCVR installs in place of the existing [TS-7/10-MUMK](#) panel cover, providing a simple and cost-effective retrofitting solution.



### In the Box

- 1 TSW-770/1070-MUMK-PNLCVR, MUMK Panel Cover
- TSW-770-1070-MUMK-PNLCVR-B Only**
- 1 Panel Cover, TSW-70 Series, Black (2055338)
- TSW-770-1070-MUMK-PNLCVR-W Only**
- 1 Panel Cover, TSW-70 Series, White (2055337)



## Install the Panel Cover

The following procedures describe how to replace the existing TS-7/10-MUMK panel cover with the TSW-770/1070-MUMK-PNLCVR.

If installing a [TSW-770-LB](#) or [TSW-1070-LB](#) light bar with the mullion mount kit, refer also to the [TSW-770-LB and TSW-1070-LB Quick Start \(Doc. 8553\)](#).

**NOTE:** The following procedures are applicable to both side mount and front mount configurations unless specified otherwise.

## Remove the TS-7/10-MUMK Panel Cover

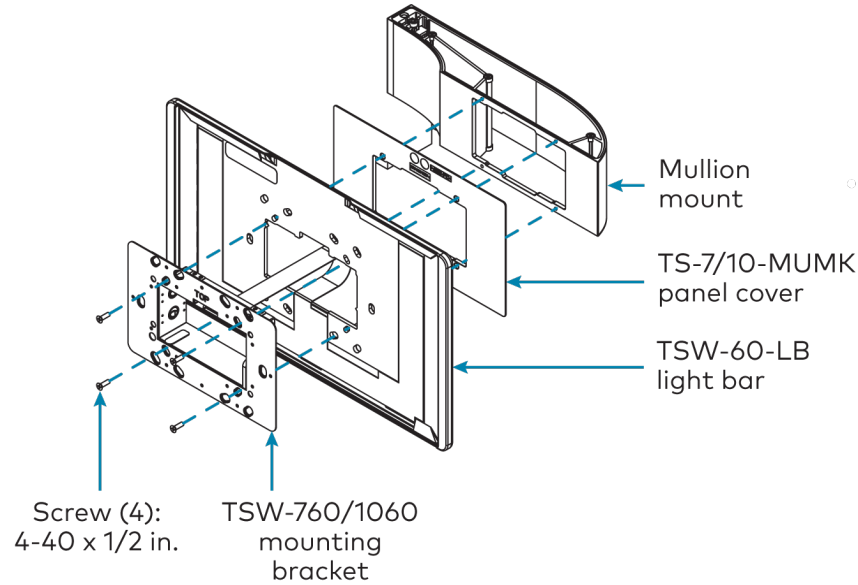
1. Pull the TSW-60 series touch screen carefully out of its mounting bracket and disconnect any cables.

**NOTE:** If the touch screen is secured to the mounting bracket with a security latch, refer to the removal procedure described in the [TSW-560, TSW-760, and TSW-1060 Quick Start \(Doc. 7926\)](#).

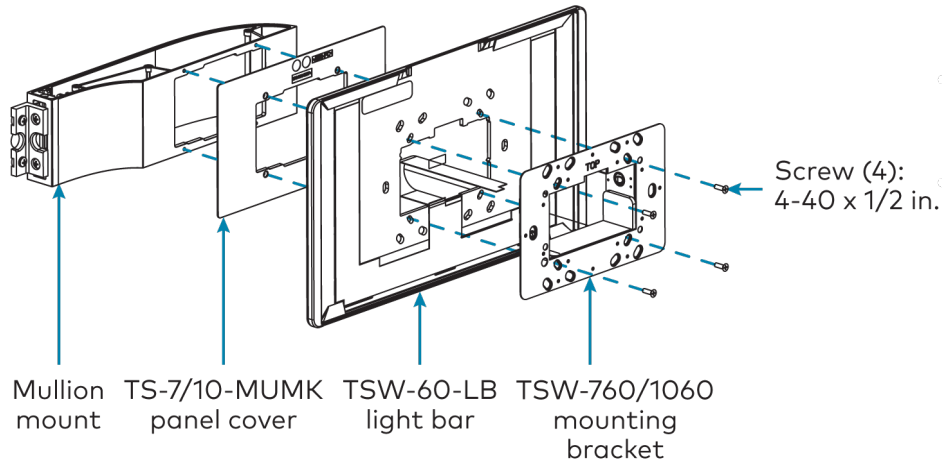
2. Remove the TSW-760/1060 mounting bracket, TSW-60-LB series light bar (if using), and TS-7/10-MUMK panel cover by unscrewing the four 4-40 x 1/2 in. screws that hold them in place.

## TSW-70 Series MUMK Panel Cover

### Panel Cover Removal - Side Mount Configuration



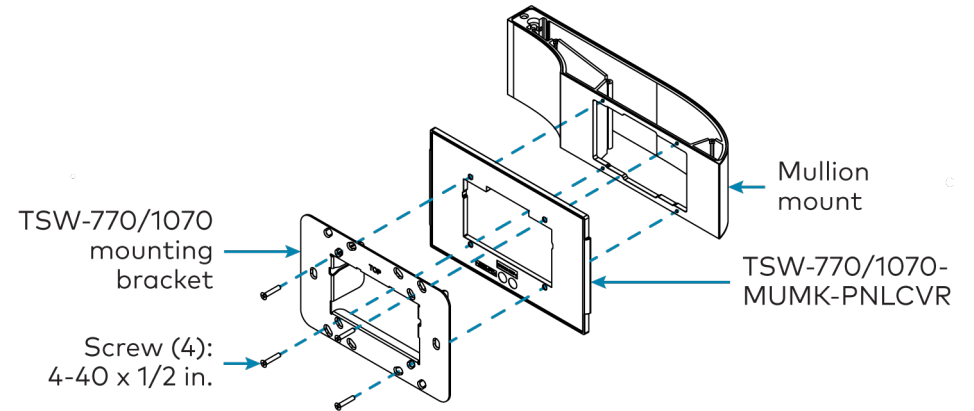
### Panel Cover Removal - Front Mount Configuration



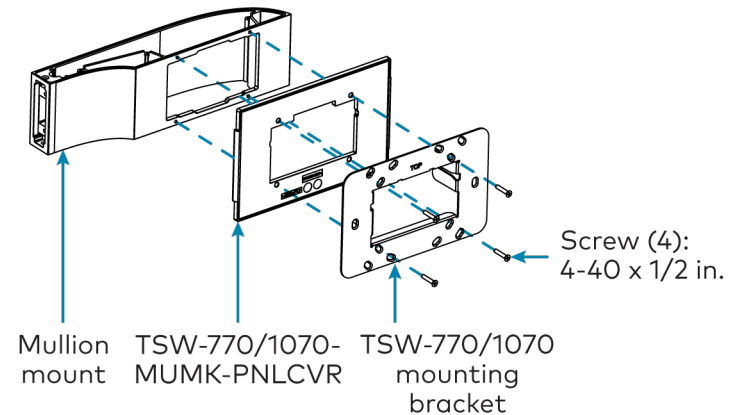
## Attach the TSW-770/1070-MUMK-PNLCVR

Align the TSW-770/TSW-1070 mounting bracket (included with the touch screen) with the TSW-770/1070-MUMK-PNLCVR as shown in the following illustrations, and then secure both to the mullion mount with the four 4-40 x 1/2 in. screws removed in the prior section.

### Panel Cover Attachment - Side Mount Configuration



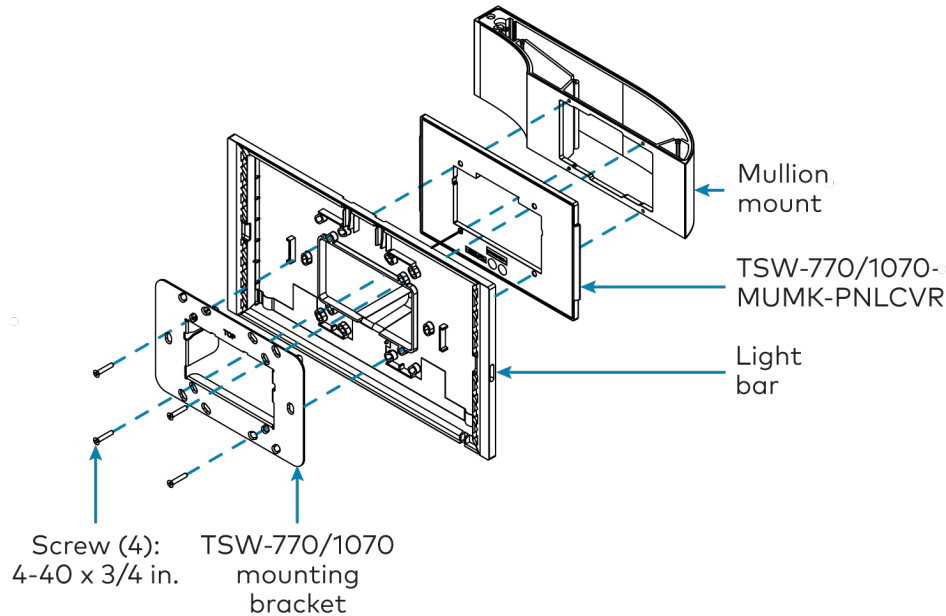
### Panel Cover Attachment - Front Mount Configuration



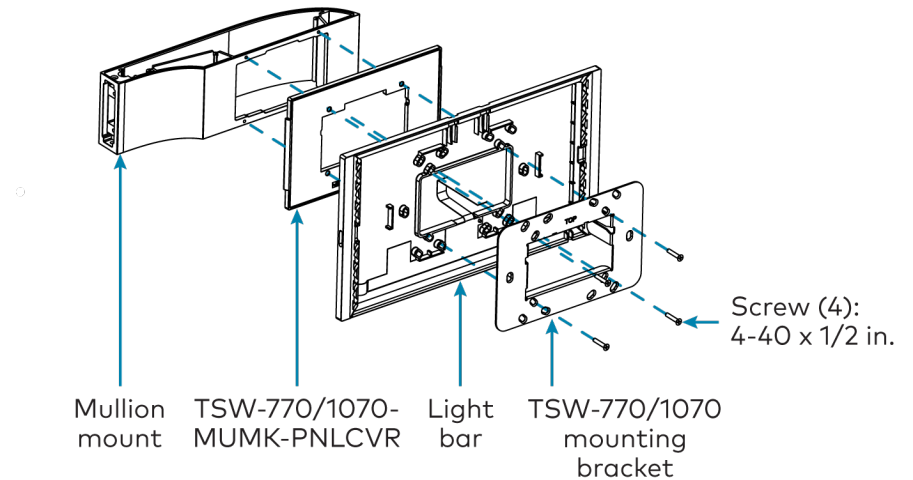
## TSW-70 Series MUMK Panel Cover

If a TSW-70-LB series light bar will be used in this installation, use the four 4-40 x 3/4 in. screws provided with the touch screen instead of the 4-40 x 1/2 in. screws. The light bar should be placed in between the TSW-770/1070 mounting bracket and the panel cover as shown in the following illustrations.

### Panel Cover Attachment with Light Bar - Side Mount Configuration



### Panel Cover Attachment - Front Mount Configuration



## Attach the Touch Screen

1. Connect all cables to the rear of the TSW-70 series touch screen.
2. Push the touch screen gently into the mounting bracket until the rear of the touch screen snaps into place inside the mounting bracket.
3. If a TSW-770-LB or TSW-1070-LB light bar was installed with the MUMK, ensure that the light bar flex circuit did not pop one of the cover plates off of the mullion mount. If this has occurred, tuck the flex circuit back into the mullion mount and then reinstall the cover plate. For more information, refer to the [TS-7/10-MUMK Quick Start \(Doc. 8455\)](#).

## TSW-70 Series MUMK Panel Cover



### Visit the Product Page

Scan the QR code to visit the product page.

TSW-770/1070-MUMK-PNLCVR



[www.crestron.com/model/6511964](http://www.crestron.com/model/6511964)

### Additional Information

#### Original Instructions

The U.S. English version of this document is the original instructions. All other languages are a translation of the original instructions.

Crestron product development software is licensed to Crestron dealers and Crestron Service Providers (CSPs) under a limited nonexclusive, nontransferable Software Development Tools License Agreement. Crestron product operating system software is licensed to Crestron dealers, CSPs, and end-users under a separate End-User License Agreement. Both of these Agreements can be found on the Crestron website at [www.crestron.com/legal/software\\_license\\_agreement](http://www.crestron.com/legal/software_license_agreement).

The product warranty can be found at [www.crestron.com/warranty](http://www.crestron.com/warranty).

The specific patents that cover Crestron products are listed at [www.crestron.com/legal/patents](http://www.crestron.com/legal/patents).

Certain Crestron products contain open source software. For specific information, visit [www.crestron.com/opensource](http://www.crestron.com/opensource).

Crestron and the Crestron logo are either trademarks or registered trademarks of Crestron Electronics, Inc. in the United States and/or other countries. Other trademarks, registered trademarks, and trade names may be used in this document to refer to either the entities claiming the marks and names or their products. Crestron disclaims any proprietary interest in the marks and names of others. Crestron is not responsible for errors in typography or photography.

©2021 Crestron Electronics, Inc.

Doc. 9023A

06/02/21