

IV-CAM-P20

Crestron 1 Beyond p20 PTZ Camera, 20x Optical Zoom



- High quality video supporting resolutions up to 1080p60
- Compatible with Automate VX multi-camera systems
- Image flip allows for optional inverted mounting
- Single Ethernet connection provides power (PoE), viewing, control, and NDI®|HX video
- Easily configured with Crestron 1 Beyond Camera Manager software
- Available in Moon Gray and Bright White colors

The [IV-CAM-P20](#) is a high quality PTZ camera that outputs up to 1080p60 resolution video. The IV-CAM-P20 is ideal for meetings in large to extra large spaces where one camera needs to capture several areas of the room. The IV-CAM-P20 can be used with the [Crestron 1 Beyond Automate VX Series](#) as part of a complete multi-camera switching solution. The IV-CAM-P20 supports a single Ethernet connection and provides power (PoE), viewing, and control on a network.

Automate VX Compatible

The IV-CAM-P20 camera is compatible with Automate VX multi-camera speaker tracking systems. Use the IV-CAM-P20 for close up shots of active speaking participants in large to extra large spaces.

High Quality Video

A high quality Sony® CMOS sensor enables the camera to output up to 1080p60 resolution video.

Networked Power, Viewing, and Control

Connect a single Ethernet cable to power (PoE), view, set up, and control the IV-CAM-P20 camera.

Mounting Options

Standard mounting holes make it easy to mount the camera. The IV-CAM-P20 ships with the color matched [IV-CAMA-UMB](#) Universal Mounting Bracket, and is compatible with the [IVA-WMT-BRKT-1B](#) Wall Mount Bracket and the [IVA-CMT-BRKT-1B](#) J-Mount Ceiling Bracket (both sold separately).

Specifications

Optics and Processing

| | |
|----------------------|--|
| Image Sensor | 1/2.8 Sony CMOS Sensor |
| Optical Zoom | 20x |
| Focal Length | F=5.2-94 mm |
| Field of View | Horizontal: 56.45° Vertical: 40.31° |
| Shutter Speed | 1/50-1/10,000 sec |
| Iris | F1.5-F3.0 |
| Minimum Illumination | 20 lux |
| Pan/Tilt Angle | Pan: -130° -130°, Tilt: -30°-90° |
| Pan/Tilt Speed | Pan: 0.2° -90°/s, Tilt: 0.2°-70°/s |

Video

| | |
|----------------|---|
| Video Outputs | 3G-SDI, HDMI®, USB, NDI HX, ONVIF, RTSP |
| Signal Formats | SDI or HDMI: 1080p60/59.94/50/30/29.94/25, 720p60/59.94/50 USB: 1080p30/25, 720p30/25, 360p30 |

Communications

| | |
|------------------|---|
| USB | USB-B 3.0 |
| Ethernet | RJ-45, 100Mbps |
| Serial | RS-232, RS-485 |
| Control Protocol | VISCA/TCP, VISCA/UDP, PELCO-D, PELCO-P, ONVIF |

Management Client

| | |
|----------|--|
| Software | Crestron 1 Beyond Camera Manager (Windows® OS computer required) |
|----------|--|

IV-CAM-P20

Crestron 1 Beyond p20 PTZ Camera, 20x Optical Zoom

Connectors

| | |
|------------|--|
| COM | (1) 5-pin 3.5 mm detachable terminal block; Bidirectional RS-232/485 port |
| PoE | (1) 8-pin RJ-45 connector, female |
| 3G-SDI OUT | (1) BNC connector, female; 3G-SDI digital video output |
| HDMI OUT | (1) HDMI Type A connector; HDMI digital video output |
| USB | (1) USB Type B connector, female; USB 3.0 device port for video and control |
| 12VDC 2.5A | (1) 3.3 mm DC power connector; 12VDC power input; PW-1225DU power pack sold separately |

Controls and Indicators

| | |
|------------|--|
| Status Bar | (1) Multisegment tricolor LED bargraph; Half green LED bargraph indicates live camera feed; Full amber LED bargraph indicates firmware upgrade; Half red LED bargraph indicates Privacy Mode |
| RESET | (1) Recessed push button for hardware reset |

Power

| | |
|------------------------------|--|
| Power Source Options | Ethernet (PoE), Power Pack (PW-1225DU) |
| Power over Ethernet | IEEE 802.3af Class 3 Powered Device |
| Power over Ethernet Rating | 15.4 W |
| Power Pack (sold separately) | 12VDC, 2.5A, 50/60 Hz |

NOTE: To comply with the European Directive (CE), shielded CAT5e cable must be used as a minimum for PoE power.

Environmental

| | |
|-------------|-------------------------------|
| Temperature | 32° to 104°F (0° to 40°C) |
| Humidity | 10% to 90% RH (noncondensing) |

Construction

| | |
|------------------|--|
| Mounting Options | IV-CAMA-UMB 1 Beyond Universal Mounting Bracket (included), IVA-WMT-BRKT-1B 1 Beyond Wall Mount Bracket (sold separately), IVA-CMT-BRKTJ-1B 1 Beyond J-Mount Bracket (sold separately) |
|------------------|--|

| | |
|-----------------|-----------------------------|
| Mounting Thread | 1/4 in. threaded mount hole |
|-----------------|-----------------------------|

Dimensions

| | |
|--------|-------------------|
| Height | 6.51 in. (165 mm) |
| Width | 8.90 in. (226 mm) |
| Depth | 5.86 in. (149 mm) |

Weight

4.12 lb (1.87 kg)

Compliance

Regulatory Model: M202306003

FCC Part 15 Class B, IC Class B, CE, Intertek® Listed for US and Canada

Models

IV-CAM-P20-B

Crestron 1 Beyond p20 PTZ Camera, 20x Optical Zoom, Moon Gray

IV-CAM-P20-W

Crestron 1 Beyond p20 PTZ Camera, 20x Optical Zoom, Bright White

Included Accessories

IV-CAMA-UMB

Crestron 1 Beyond Universal Mounting Bracket

Available Accessories

For a list of available accessories, visit the [IV-CAM-P20](#) product page.

This product may be purchased from select authorized Crestron dealers and distributors. To find a dealer or distributor, please contact the Crestron sales representative for your area. A list of sales representatives is available online at www.crestron.com/How-To-Buy/Find-a-Representative or contact us for additional information by visiting www.crestron.com/contact/our-locations for your local contact.

The original language version of this document is U.S. English. All other languages are a translation of the original document.

The product warranty can be found at www.crestron.com/warranty.

IV-CAM-P20

Crestron 1 Beyond p20 PTZ Camera, 20x Optical Zoom

The specific patents that cover Crestron products are listed online at www.crestron.com/legal/patents.

Certain Crestron products contain open source software. For specific information, please visit www.crestron.com/opensource.

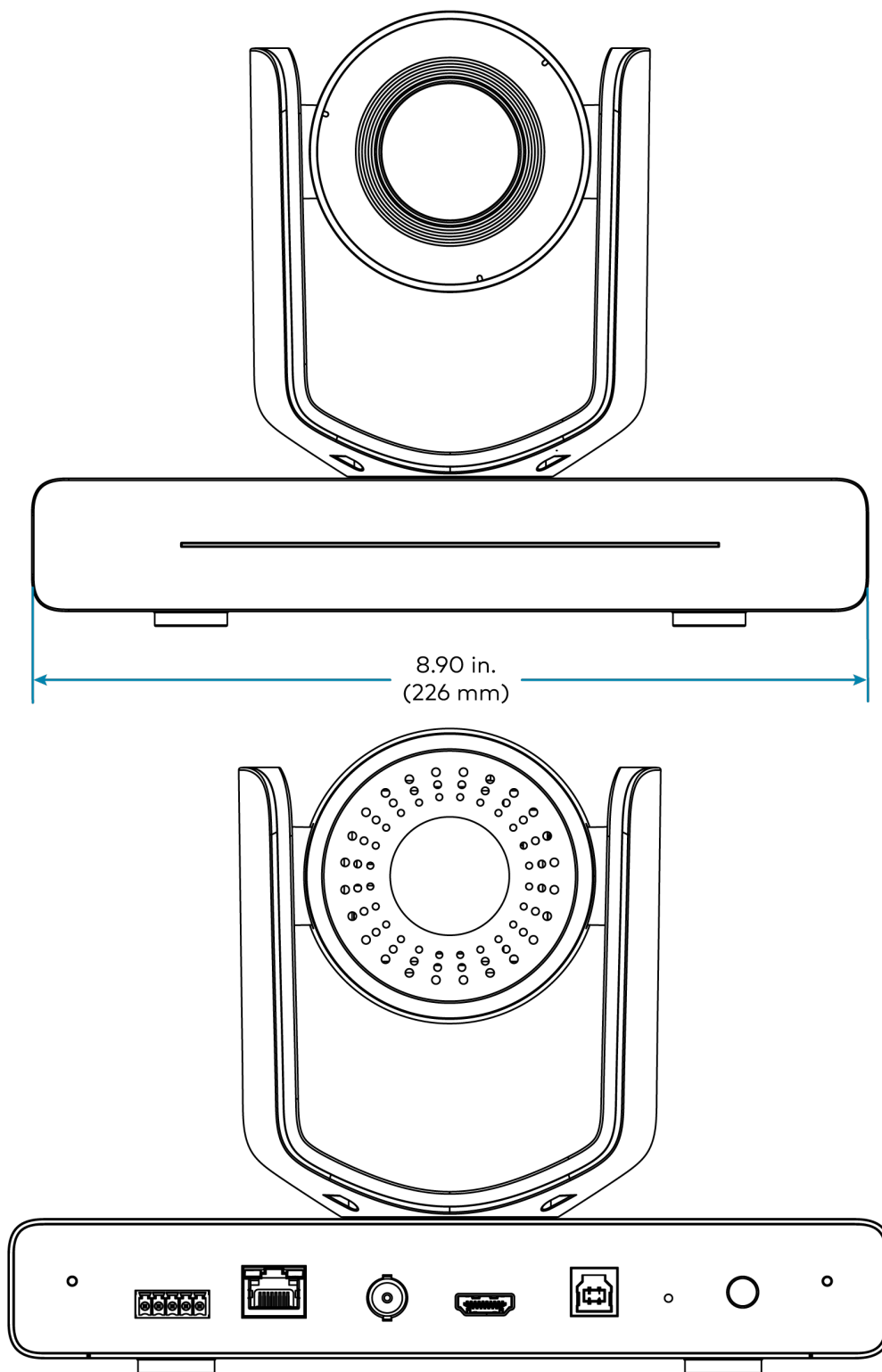
Crestron and the Crestron logo are either trademarks or registered trademarks of Crestron Electronics, Inc. in the United States and/or other countries. HDMI is either a trademark or a registered trademark of HDMI Licensing LLC in the United States and/or other countries. Intertek and the Intertek logo are either trademarks or registered trademarks of Intertek Group in the United States and/or other countries. NDI is either a trademark or a registered trademark of NewTek, Inc. in the United States and/or other countries. Windows is either a trademark or a registered trademark of Microsoft Corporation in the United States and/or other countries. Other trademarks, registered trademarks, and trade names may be used in this document to refer to either the entities claiming the marks and names or their products. Crestron disclaims any proprietary interest in the marks and names of others. Crestron is not responsible for errors in typography or photography.

Specifications are subject to change without notice.

©2024 Crestron Electronics, Inc.

IV-CAM-P20

Crestron 1 Beyond p20 PTZ Camera, 20x Optical Zoom



IV-CAM-P20

Crestron 1 Beyond p20 PTZ Camera, 20x Optical Zoom

