

UC-B160-Z

Crestron Flex Wall Mount UC Video Conference System for Zoom Rooms™ Software



- *Front-of-room video conferencing solution for Zoom Rooms™ software*
- *Present, call, conference, and collaborate*
- *Native Zoom Rooms touch screen UI provides a consistent user experience with simple operation and one-touch meeting joins*
- *Complete kit contains the Crestron® smart soundbar & camera, touch screen, UC Engine assembly, cables, and power supplies - just add a display and mount*
- *Easy to specify and install – no custom design, programming, or software installation required*
- *Network management and provisioning and system alerts through the XiO Cloud® service*
- *Connects and communicates securely over any enterprise or SMB network*
- *Enterprise-grade security*
- *Supports single or dual display configuration*
- *High-powered 2-way stereo speaker smart soundbar with 180° far-field adaptive beamforming microphone array, advanced AEC & DSP technology, integrated high-definition USB camera with lossless digital autozoom and HDMI® input for laptop and other AV content sources*
- *Includes 10.1 in. (257 mm) tabletop color touch screen with onscreen calendaring and meeting management and optional control of room lighting, shades, thermostats, and other equipment*

The Crestron Flex UC-B160-Z system provides a complete video conference room solution for use with the Zoom Rooms intelligent communications platform. It supports single or dual video displays, and features the Crestron UC Video Conference Smart Soundbar & Camera (UC-SB1-CAM-FLEX), 10.1 in. touch screen, and UC Engine Assembly with UC-ENGINE-Z.

Native Zoom Rooms™ Software Experience

The UC-B160-Z system features Zoom Rooms conferencing software that enables audio and video connectivity for easy collaboration and content sharing.

Crestron® Smart Soundbar & Camera

The [UC-SB1-CAM-FLEX](#) soundbar eliminates the need to install additional cameras, microphones or speakers. Its high-powered stereo speakers, adaptive beamforming microphone, and advanced digital signal processing deliver exceptional full-duplex, echo-free speakerphone performance. Wideband audio codec support allows for full-spectrum, bidirectional voice communication. Its compact design reduces clutter on the conference table, and even accommodates rooms with no table at all.

The soundbar's integrated Huddly IQ™ camera features an ultra wide-angle 150° diagonal field of view to capture an entire conference room in Full HD 1080p video resolution. Genius Framing digital autozoom intelligently detects the people in the room and frames them perfectly for an optimal view. With Genius Framing, there's no need to control the camera manually or rely on stored presets.

For more information, refer to the [UC-SB1-CAM-FLEX](#) product page.

10.1 in. Touch Screen

With a large 10.1 in. (257 mm) capacitive touch screen display, the Crestron® tabletop touch screen ([TS-1070-B-S](#)) provides superior conferencing control in meeting rooms, huddle spaces, and executive offices. The touch screen also offers optional control of room lighting, shades, thermostats, and other equipment.¹

UC Engine Assembly

All the capabilities of a complete Zoom Rooms video conferencing and content sharing solution are empowered by the UC Engine. For ultimate performance, Crestron employs a powerful Intel® NUC Mini PC running Zoom Rooms software. The UC Engine Assembly (UC-BRKT-100-Z-ASSY) streamlines the installation of a Crestron UC system by assembling the UC-ENGINE-Z, HD-CONV-USB-200, and UC-CONN-HD together on one convenient and ready-to-mount bracket.

The complete assembly can be mounted on the wall, or it can be attached to the rear of the display device. Attachment to the display is accomplished using two of the four bolts that also affix the display to a VESA® compliant display mount. The assembly bracket includes mounting holes on its left and right side edges, spaced at 100 mm (3.94 in.), 200 mm (7.87 in.), and 300 mm (11.81 in.) vertically, to allow for attachment to either side of the display mounting plate on the rear of the display device.

For more information, refer to the [UC-BRKT-100-Z-ASSY](#) product page.

UC-B160-Z

Crestron Flex Wall Mount UC Video Conference System for Zoom Rooms™ Software

Network Management and Security

Crestron Flex is an enterprise grade solution, engineered to integrate seamlessly into any Zoom Rooms software deployment. Crestron Flex is ideally equipped for mass deployment throughout any sized corporate, university, medical, military, or government facility.

IoT cloud based provisioning enables complete network configuration in advance of hardware delivery, with touchless updates following installation via Windows® Update. Crestron Fusion® or XiO Cloud® management enables monitoring and logging of room and equipment usage, as well as centralized help desk support. Advanced security features ensure privacy, reliability, and compliance with your organization's IT policies.

XiO Cloud® Provisioning and Management Service

The UC-B160-Z is compatible with the XiO Cloud service, which is an IoT (Internet of Things) based platform for remotely provisioning, monitoring, and managing Crestron devices across an enterprise or an entire client base.² The service enables installers and IT managers to deploy and manage thousands of devices in the amount of time it previously took to manage just one. As part of the UC-B160-Z system, the XiO Cloud service allows for network management and provisioning and system alerts. System updates are controlled by Windows Update. For more information, visit www.crestron.com/xiocloud.

Specifications

Included Components

UC-SB1-CAM-FLEX	UC video conference smart soundbar
TS-1070-B-S	10.1 in. touch screen, black
UC-BRKT-100-Z-ASSY	UC Engine Assembly, comprised of: UC-ENGINE-Z: UC Engine for Zoom Rooms video; HD-CONV-USB-200: HDMI to USB 3.0 converter for content ingest; UC-CONN-HD: EDID emulator for UC Engine display output; CBL-MDP-HD-0.5: Mini DisplayPort™ to HDMI converter; Mounting Bracket
CBL-CAT5E-7	(2) Ethernet LAN cables for UC Engine, RJ45-to-RJ45, black, 7 ft (2.1 m)
PWE-4803RU	PoE injector for touch screen
CBL-USBC-HD-9	USB-C® to HDMI converter cable, USB Type-C male to HDMI Type A male, 9 ft (2.7 m)

[CBL-HD-20](#)

HDMI cable for content source, Type A male-to-male, 20 ft (6.1 m)

[CBL-HD-THIN-HS-6](#)

Thin HDMI cable for connecting display device, Type A male-to-male, 6 ft (1.8 m)

[DM-CBL-ULTRA-PC-20](#)

Ethernet LAN cable for touch screen, CAT6a, RJ45-to-RJ45, blue, 20 ft (6 m)

Smart Soundbar & Camera

Speakers

Stereo 2-way, 20 W per channel, 3 in. (76 mm) woofers, 3 x 4-3/8 in. (76 x 112 mm) passive radiators, 1 in. (25 mm) dome tweeters, 80 Hz to 20 kHz (±3 dB) frequency response, 91 dB SPL @ 1 m output level (both channels driven at full power)

Microphone

Linear quad-element far-field adaptive beamforming microphone array, 15 ft (4.6 m) pickup range³, 180° horizontal pickup angle, 20 Hz to 8 kHz frequency response

Audio DSP

Acoustic echo cancellation, dereverberation, automatic gain control, dynamic noise suppression, adaptive beamforming, speaker volume control; full-duplex IEEE 1329 Type 1 compliant

Camera Optics

12 Megapixel Sony® IMX477 Type 1/2.3 CMOS sensor, ultra wide angle six element aspherical glass lens, f/2.8 aperture

Camera Field of View

150° diagonal, 120° horizontal, 90° vertical

Camera Processing

Intel Movidius® Myriad® X VPU with Neural Compute Engine hardware accelerator, dynamic light optimization, auto white balance, autozoom

Camera Autozoom

Genius Framing automatic lossless digital zoom intelligently frames people in the room

Camera Noise Reduction

3D noise reduction, bias compensating spatio-temporal filtering, wide area chroma filtering, flicker elimination

Camera Scaling

Real-time scaling, dewarping, and perspective correction

Camera Resolution

HD 1080p @ 30 fps

UC-B160-Z

Crestron Flex Wall Mount UC Video Conference System for Zoom Rooms™ Software

Camera Color Space	YCbCr 4:2:0, YCbCr 4:2:2, MJPEG	Ethernet	100 Mbps, auto switching, auto negotiating, auto discovery, full/half duplex, TCP/IP, UDP/IP, CIP, DHCP, SSL, TLS, SSH, SFTP (SSH File Transfer Protocol), IEEE 802.1X, SNMP, IPv4 or IPv6, Active Directory® service authentication, HTTPS web browser setup, XiO Cloud® client, IEEE 802.3at compliant
USB	USB 3.0 Type-B port; UAC 1.0, UVC 1.1, & HID; 2-channel stereo far-end/content signal input, 2-channel mono microphone signal output, camera output; for audio, video, and communications interface to UC Engine	Power over Ethernet	IEEE 802.3at Type 2 compliant PoE+ PD (Powered Device); Normally requests 15 W from an 802.3at Type 2 PSE with LLDP advanced power management; With room scheduling and USB enabled, requests 18 W from an 802.3at Type 2 PSE with LLDP; Requests 30 W (PoE+ Class 4) from an 802.3at Type 2 PSE without LLDP; Requests 15.4 W (PoE Class 0) from an 802.3af (or 802.3at Type 1) PSE
Analog Audio Input	2-Channel stereo via 3.5 mm TRS mini-phone jack, fixed level (bypasses DSP), 1 Vrms maximum per channel for full rated output, for in-room amplification of an external audio source	PoE Injector	A PoE injector is included to power the touch screen if network PoE is not available
Analog Audio Output	2-Channel stereo via 3.5 mm TRS mini-phone jack, fixed level, 1 Vrms maximum, feeds amplified audio content to an assistive listening system	Construction	Plastic, smooth black finish, edge-to-edge glass with black surround
Status Bar	(1) Multi-segment RGBY LED zero-center mutually diverging linear bargraph; Indicates the speaker volume, microphone mute, and speaker mute in red and green LEDs	Dimensions	Height: 5.29 in. (134 mm) Width: 9.63 in. (245 mm) Depth: 4.67 in. (119 mm)
Main Power	IEC 60320 C14 main power inlet (power cord included), 500 mA maximum @ 100-240 VAC, 50/60 Hz	Weight	2.44 lb (1105 g)
Enclosure	Lightly textured gunmetal black finish, plastic housing, perforated stainless steel grilles, die-cast aluminum rear cover, steel hinged mounting bracket	UC Engine Assembly	
Mounting	Freestanding or surface wall mount at ear/face level	Mini PC	Intel NUC Kit NUC6i7KYK
Dimensions	Height: 4.57 in. (117 mm) Width: 43.60 in. (1108 mm) Depth: 3.90 in. (100 mm)	Processor	6th generation Intel Core® i7-6770HQ processor with Intel Iris® Pro Graphics 580, 8 GB RAM, 256 GB SSD, Intel I219-LM 10/100/1000 Mbps Ethernet, Windows® 10 IOT Edition OS
Weight	Approximately 15 lb (6.8 kg)	UC Client	Zoom Rooms Software
Refer to the UC-SB1-CAM-FLEX spec sheet for additional specifications and compliances.		Management Client	XiO Cloud Service
Tabletop Touch Screen		USB	USB 3.0
Touch Screen	10.1 in. (257 mm) diagonal capacitive multi-touch TFT active matrix color LCD, 1280 x 800 pixels	Content Ingest	HDMI input via HDMI to USB 3.0 converter (model HD-CONV-USB-200, included)
UI	Zoom Rooms UI plus optional Crestron Smart Graphics® room control UI ¹		

UC-B160-Z

Crestron Flex Wall Mount UC Video Conference System for Zoom Rooms™ Software

Display Output	Single or dual display support, native Mini DisplayPort™ (primary) and USB Type-C® (secondary) outputs, HDMI outputs enabled via converter cables (included)
Camera Input Resolution	HD 1080p @ 30 fps
Content Input Resolution	HD 1080p @ 60 fps
Display Output Resolution	HD 1080p @ 60 fps
Power	19 VDC via external 100-240 VAC, 50/60 Hz adapter (included)
Construction	Metal mounting bracket, black, preassembled with UC Engine and USB to HDMI converter
Mounting	Surface wall mount behind the display device, or attach to the rear of the display device via the bolts attaching the display to a VESA® compliant display mount; the Crestron bracket includes mounting holes on both side edges, spaced 100, 200, and 300 mm vertically, to allow for attachment to either side of the display mounting plate
Dimensions	Height: 16.00 in. (407 mm) Width: 14.00 in. (356 mm) Depth: 1.62 in. (41 mm)

Refer to the UC-ENGINE-Z, HD-CONV-USB-200, and UC-BRKT-100-Z-ASSY spec sheets for additional specifications and compliances.

Model

UC-B160-Z

Available Accessories

For a list of available accessories, visit the [UC-B160-Z](#) product page.

Notes:

1. Room control capability (lighting, shades, thermostats, etc.) requires additional equipment and commissioning to be provided by a Crestron authorized integrator and/or programmer. Additional costs may apply.
2. New UC-B160-Z systems may be added to existing XiO Cloud subscription accounts at a discounted rate. An additional purchase toward the existing subscription account term may be required. For more information, please contact license@crestron.com.
3. Microphone pickup range may vary in rooms with highly reflective infrastructure (e.g., glass walls, metal furniture, open ceilings, etc.) or above average ambient noise.

This product may be purchased from select authorized Crestron dealers and distributors. To find a dealer or distributor, please contact the Crestron sales representative for your area. A list of sales representatives is available online at www.crestron.com/How-To-Buy/Find-a-Representative or contact us for additional information by visiting <https://www.crestron.com/contact/our-locations> for your local contact.

This product is covered under the Crestron standard limited warranty. Refer to www.crestron.com/warranty for full details.

The specific patents that cover Crestron products are listed online at patents.crestron.com.

Certain Crestron products contain open source software. For specific information, please visit www.crestron.com/opensource.

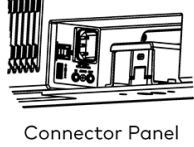
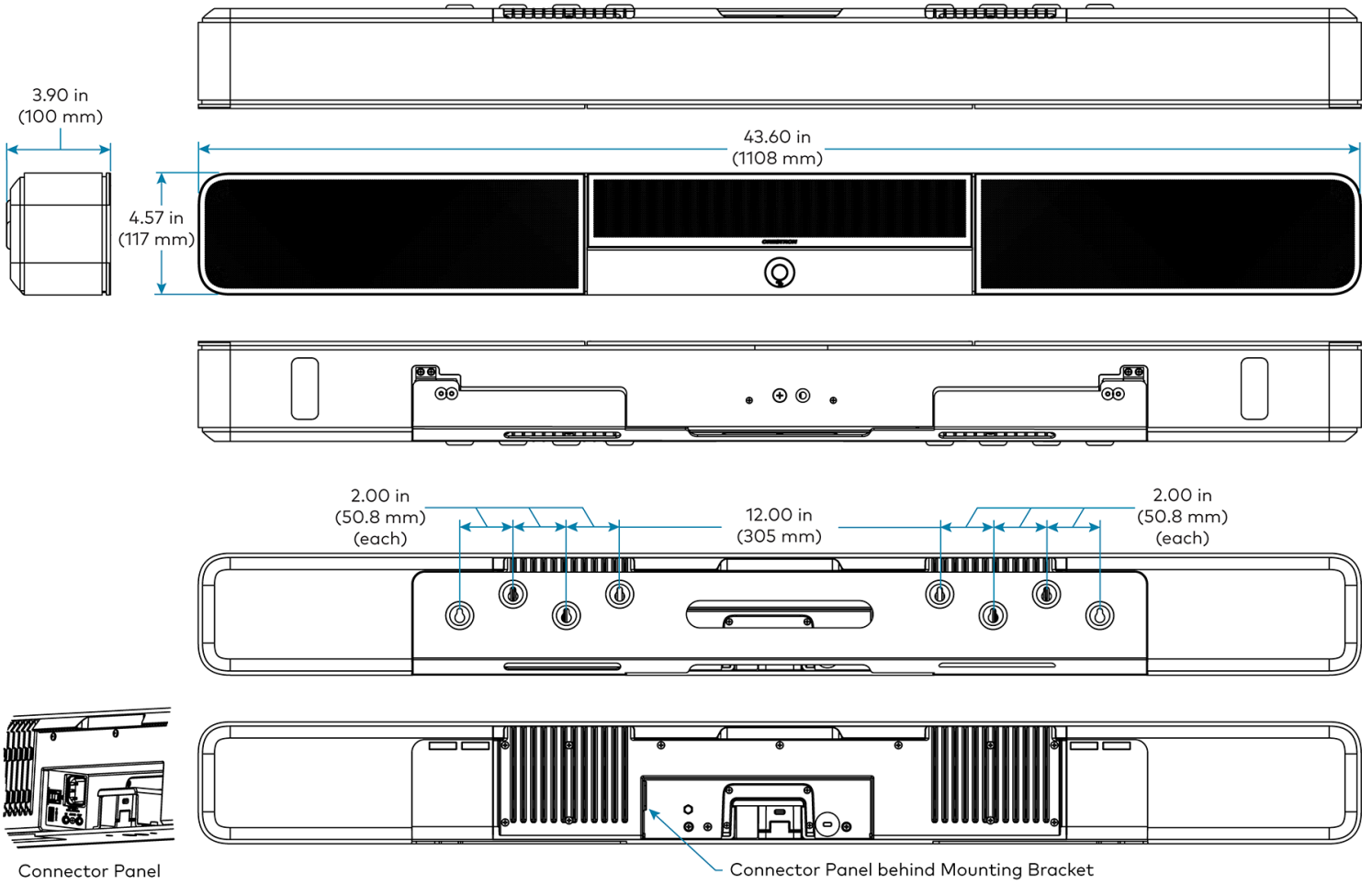
Crestron, the Crestron logo, Crestron Fusion, Smart Graphics, and XiO Cloud are either trademarks or registered trademarks of Crestron Electronics, Inc. in the United States and/or other countries. HDMI is either a trademark or registered trademark of HDMI Licensing LLC in the United States and/or other countries. Huddly IQ is either a trademark or registered trademark of Huddly AS in the United States and/or other countries. Intel, Intel Core, and Intel Iris are either trademarks or registered trademarks of Intel Corporation in the United States and/or other countries. Movidius and Myriad are either trademarks or registered trademarks of Movidius Ltd in the United States and/or other countries. Sony is either a trademark or registered trademark of Sony Corporation in the United States and/or other countries. USB Type-C is either a trademark or registered trademark of USB Implementers Forum, Inc. in the United States and/or other countries. DisplayPort and VESA are either trademarks or registered trademarks of Video Electronics Standards Association in the United States and/or other countries. Zoom Rooms is either a trademark or registered trademark of Zoom Video Communications, Inc. in the United States and/or other countries. Other trademarks, registered trademarks, and trade names may be used in this document to refer to either the entities claiming the marks and names or their products. Crestron disclaims any proprietary interest in the marks and names of others. Crestron is not responsible for errors in typography or photography.

Specifications are subject to change without notice.
©2021 Crestron Electronics, Inc.
Rev 09/11/21

UC-B160-Z

Crestron Flex Wall Mount UC Video Conference System for Zoom Rooms™ Software

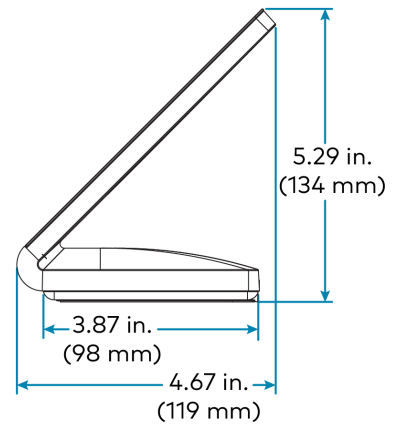
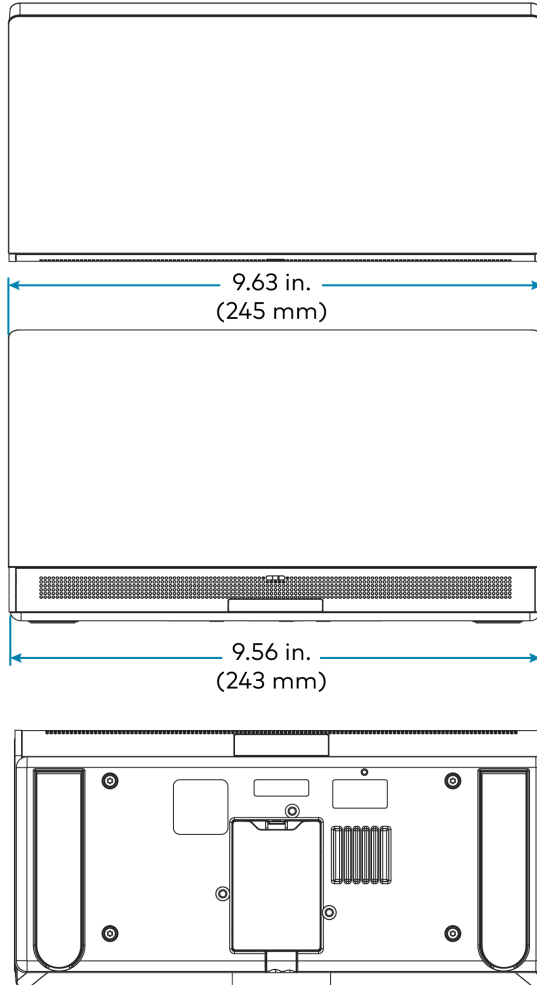
UC-SB1-CAM-FLEX



UC-B160-Z

Crestron Flex Wall Mount UC Video Conference System for Zoom Rooms™ Software

TSW-1070-B-S



UC-B160-Z

Crestron Flex Wall Mount UC Video Conference System for Zoom Rooms™ Software

UC-BRKT-100-Z-ASSY

