

# UC-M130-Z

## Crestron Flex Tabletop UC Video Conference System for Zoom Rooms™ Software



- *Tabletop video conferencing solution for Zoom Rooms™ software*
- *Present, call, conference, and collaborate with the Crestron Mercury® UC Conference Console*
- *Easy to specify and install — no custom design, programming, or software installation required*
- *Network management and provisioning and system alerts through the Crestron XiO Cloud® service*
- *Connects and communicates securely over any enterprise or SMB network*
- *Enterprise-grade security*
- *Kit contains the Crestron Mercury tabletop console, Huddly GO® collaboration camera, UC Engine, and power supplies — just add a display and mount*

The Crestron Flex UC-M130-Z system provides a video conference room solution for use with the Zoom Rooms intelligent communications platform. It supports a single video display, and features the Crestron Mercury® Tabletop UC Audio Conference Console, UC Engine Assembly with UC-ENGINE-SD-Z, and Huddly GO collaboration camera.

### Native Zoom Rooms™ Software Experience

The UC-M130-Z system features Zoom Rooms conferencing software that enables audio and video connectivity for easy collaboration and content sharing.

### Crestron Mercury® UC Conference Console

The Crestron Mercury UC Conference Console (CCS-UC-1) is an advanced speakerphone that facilitates conversations with exceptional audio fidelity and pickup using the console's integrated 360° quad microphone array. Its high-powered, full-range speaker produces high quality audio for both voice and program material. Limes Audio TrueVoice® AEC technology achieves transparent full-duplex performance free of distracting echo or noise, and wideband audio codec support allows for full-spectrum, bidirectional voice communication.

Its extra-large, high-definition touch screen makes the Crestron Mercury system easy to use, whether starting or joining an online meeting or presenting and sharing content. Occupancy detection using a patent-pending combination of motion and voice activity provides several benefits, such as monitoring and reporting room usage to the Crestron Fusion® monitoring and scheduling software, or automating the system to power down to save energy when all parties leave the room.

For more information, refer to the [CCS-UC-1](#) product page.

### UC Engine Assembly

All the capabilities of a complete Zoom Rooms video conferencing and content sharing solution are empowered by the UC Engine. For ultimate performance, Crestron employs a powerful Intel® NUC Mini PC running Zoom Rooms software. The UC Engine Assembly (UC-BRKT-100-SD-Z-ASSY) streamlines the installation of a Crestron UC system by assembling the UC-ENGINE-SD-Z, HD-CONV-USB-200, and UC-CONN-HD together on one convenient and ready-to-mount bracket.

The complete assembly can be mounted on the wall, or it can be attached to the rear of the display device. Attachment to the display is accomplished using two of the four bolts that also affix the display to a VESA® compliant display mount. The assembly bracket includes mounting holes on its left and right side edges, spaced at 100 mm (3.94 in.), 200 mm (7.87 in.), and 300 mm (11.81 in.) vertically, to allow for attachment to either side of the display mounting plate on the rear of the display device.

# UC-M130-Z

## Crestron Flex Tabletop UC Video Conference System for Zoom Rooms™ Software

### Huddly GO® Collaboration Camera

The included Huddly GO® camera (CCS-CAM-USB-F-300) features an ultra wide-angle 150° diagonal field of view to capture an entire conferencing space with HD 720p video resolution. High precision aspherical optics, a 16 MP CMOS sensor, and advanced video processing ensure an immersive, crystal clear video image free from light or noise artifacts or optical aberrations.

### Network Management and Security

Crestron Flex is an enterprise grade solution, engineered to integrate seamlessly into any Zoom Rooms software deployment. Crestron Flex is ideally equipped for mass deployment throughout any sized corporate, university, medical, military, or government facility.

IoT cloud based provisioning enables complete network configuration in advance of hardware delivery, with touchless updates following installation via Windows® Update. Crestron Fusion® or Crestron XiO Cloud management enables monitoring and logging of room and equipment usage, as well as centralized help desk support. Advanced security features ensure privacy, reliability, and compliance with your organization's IT policies.

### Crestron XiO Cloud® Provisioning and Management Service

The UC-M130-Z is compatible with the Crestron XiO Cloud service, which is an IoT (Internet of Things) based platform for remotely provisioning, monitoring, and managing Crestron devices across an enterprise or an entire client base. The service enables installers and IT managers to deploy and manage thousands of devices in the amount of time it previously took to manage just one. As part of the UC-M130-Z system, the Crestron XiO Cloud service allows for network management and provisioning and system alerts. System updates are controlled by Windows Update. For more information, visit [www.crestron.com/xiocloud](http://www.crestron.com/xiocloud).

## Specifications

### Included Components

#### CCS-UC-1

Crestron Mercury Tabletop UC Audio Conference Console; Cable, CAT5e, RJ-45 Male - RJ-45 Male, 12 ft (3.66 m); Cable, USB 2.0, A - Micro B, 6 ft (1.83 m); Retention Plate, Cable Tie Wrap

#### UC-BRKT-100-SD-Z-ASSY

UC Engine Assembly, comprised of:  
UC-ENGINE-SD-Z: UC Engine for Zoom Rooms video;  
HD-CONV-USB-200: HDMI to USB 3.0 converter for content ingest;  
UC-CONN-HD: EDID emulator for UC Engine display output;  
CBL-MDP-HD-0.5: Mini DisplayPort™ to HDMI converter; Mounting Bracket

#### CCS-CAM-USB-F-300

Huddly GO® Camera

#### PW-2420RU

Universal power pack<sup>1</sup>

#### CBL-USBC-HD-9

USB-C® to HDMI converter cable, USB Type-C male to HDMI Type A male, 9 ft (2.7 m)

#### CBL-USB-A-EXT-15

USB extension cable for audio conference console, Type A male-to-female, 15 ft (4.57 m)

### Audio Conference Console

#### Touch Screen

7 in. (178 mm) diagonal capacitive multi-touch TFT active matrix color LCD, 1280 x 800 pixels

#### UI

Zoom Rooms UI

#### Mic Mute Symbol & Light Bar

(2) Capacitive buttons with bi-color LEDs, either button toggles between mute and unmute, the symbol LED flashes green when the unit is powering up, all LEDs illuminate red when the mic is muted, all LEDs illuminate green when the mic is unmuted during an active call or online meeting

# UC-M130-Z

## Crestron Flex Tabletop UC Video Conference System for Zoom Rooms™ Software

<b>AEC</b>	Limes Audio TrueVoice acoustic echo cancellation, automatic mic mixing, automatic gain control, and dynamic noise reduction; full-duplex IEEE 1329 Type 1 compliant
<b>Speaker</b>	Full range speaker, 11 W amplifier power, 95 dB SPL at 0.5 m maximum output, 90 Hz to 22 kHz frequency response
<b>Microphones</b>	360° quad mic array, 20 ft (6 m) typical pickup range
<b>Extension Microphones</b>	Supports two mic pods, model CCS-UCA-MIC KIT (sold separately)
<b>Occupancy Sensor</b>	Patent-pending Persistent Occupancy Awareness combining passive infrared motion and voice activity detection, 6 ft (1.83 m) PIR range in front of touch screen, activates touch screen and reports room occupancy to Crestron Fusion monitoring and scheduling software
<b>Ethernet</b>	10/100 Mbps; enterprise grade security and management including IEEE 802.1X, Active Directory® authentication, LDAP, Kerberos, SSL, TLS, SSH, SFTP (SSH File Transfer Protocol), SRTP, digest access authentication, password login, HTTPS secure provisioning, Crestron XiO Cloud client, IEEE 802.3at Type 2 compliant
<b>USB</b>	USB 2.0 micro Type B device port, supports UAC for audio interface to UC Engine (included)
<b>Power Options</b>	PoE+: IEEE 802.3at Type 2, Class 4 (25.5 W) PoE+ Powered Device <sup>1</sup> ; 24 VDC: 24 VDC via external 100-240 VAC, 50/60 Hz power pack, model PW-2420RU (included)
<b>Dimensions</b>	Height: 4.11 in. (105 mm) Width: 8.92 in. (227 mm) Depth: 12.74 in. (324 mm)
<b>Weight</b>	5.5 lb (2.5 kg)

Refer to the CCS-UC-1 specifications for additional information.

### Camera

<b>Model</b>	Huddly GO camera
<b>Field of View</b>	150° diagonal, 120° horizontal, 90° vertical
<b>Connectivity</b>	Plug-and-play USB 3.1
<b>Resolution</b>	720p @ 30 fps
<b>Dimensions</b>	Height: 1.30 in (33 mm) Width: 1.60 in (41 mm) Depth: 2.82 in (72 mm)
<b>Weight</b>	2.82 in (72 mm)

Refer to the CCS-CAM-USB-F-300 specifications for additional information.

### UC Engine Assembly

<b>Mini PC</b>	Intel NUC Kit NUC8i5BEK
<b>Processor</b>	Intel Core® i5-8259U processor (2.3 GHz with 3.8GHz Turbo, Quad Core, Hyper-thread, 6 MB Cache, 28W TDP)
<b>UC Client</b>	Zoom Rooms Software
<b>Management Client</b>	Crestron XiO Cloud Service
<b>USB</b>	USB 3.0 host supporting USB HID, UAC, and UVC for audio conference soundbar bar, camera, content ingest, and keyboard/mouse devices
<b>Content Ingest</b>	HDMI input via HDMI to USB 3.0 converter (model HD-CONV-USB-200, included)
<b>Display Output</b>	Single display support (USB-C® primary, HDMI output)
<b>Camera Input Resolution</b>	HD 1080p @ 30 fps
<b>Content Input Resolution</b>	HD 1080p @ 60 fps
<b>Display Output Resolution</b>	HD 1080p @ 60 fps
<b>Power</b>	19 VDC via external 100-240 VAC, 50/60 Hz adapter (included)
<b>Construction</b>	Metal mounting bracket, black, preassembled with UC Engine and USB to HDMI converter

# UC-M130-Z

## Crestron Flex Tabletop UC Video Conference System for Zoom Rooms™ Software

### Mounting

Surface wall mount behind the display device, or attach to the rear of the display device via the bolts attaching the display to a VESA® compliant display mount; the Crestron bracket includes mounting holes on both side edges, spaced 100, 200, and 300 mm vertically, to allow for attachment to either side of the display mounting plate

### Dimensions

Height: 16.00 in. (407 mm)  
Width: 14.00 in. (356 mm)  
Depth: 1.68 in. (43 mm)

Refer to the UC-ENGINE-SD-Z, HD-CONV-USB-200, and UC-BRKT-100-SD-Z-ASSY spec sheets for additional specifications and compliances.

### Model

UC-M130-Z

### Available Accessories

#### UC-M-ACCY KIT

Accessory kit for UC-M130-T and UC-M130-Z

#### CCS-UCA-SMK

Swivel Mount Kit

#### CCS-UCA-MIC KIT

Microphone Pods, set of 2

#### CEN-SWPOE-16

16-Port Managed PoE Switch

#### SW-FUSION-C-3

Crestron Fusion Cloud; 250 rooms; 3-year service, support, and updates

#### SW-FUSION-P-L

Crestron Fusion On-premises; Unlimited rooms; lifetime service, support, and updates

#### SW-XIOC-EM

Crestron XiO Cloud® Provisioning and Management Service, Endpoint Management License

#### SW-XIOC-S

Crestron XiO Cloud® Provisioning and Management Service, Support License

#### SW-XIOC-API

Crestron XiO Cloud® Provisioning and Management Service, REST API License

### Notes:

1. When used without any microphone pods connected, the Crestron Mercury console may be powered using either PoE+ or the included power pack (model [PW-2420RU](#)). If one or two mic pods are connected, the console **MUST** be powered using the power pack. PoE+ cannot be used to power the console if any mic pods are connected. When using PoE+, make sure the network switch supports PoE+ (802.3at Type 2). Regular PoE (802.3af or 802.3at Type 1) cannot be used to power the console. Be advised, the UC Engine component can only be powered using its included AC power adapter. The UC Engine cannot be powered via PoE or PoE+.

This product may be purchased from select authorized Crestron dealers and distributors. To find a dealer or distributor, please contact the Crestron sales representative for your area. A list of sales representatives is available online at [www.crestron.com/How-To-Buy/Find-a-Representative](http://www.crestron.com/How-To-Buy/Find-a-Representative) or by calling 855-263-8754.

This product is covered under the Crestron standard limited warranty. Refer to [www.crestron.com/warranty](http://www.crestron.com/warranty) for full details.

The specific patents that cover Crestron products are listed online at [patents.crestron.com](http://patents.crestron.com).

Certain Crestron products contain open source software. For specific information, please visit [www.crestron.com/opensource](http://www.crestron.com/opensource).

Crestron, the Crestron logo, Crestron Mercury, and Crestron XiO Cloud are either trademarks or registered trademarks of Crestron Electronics, Inc. in the United States and/or other countries. HDMI is either a trademark or registered trademark of HDMI Licensing LLC in the United States and/or other countries. Huddly GO is either a trademark or registered trademark of Huddly AS in the United States and/or other countries. Intel and Intel Core are either trademarks or registered trademarks of Intel Corporation in the United States or other countries. TrueVoice is either a trademark or registered trademark of Google Inc. in the United States and/or other countries. USB-C is either a trademark or registered trademark of USB Implementers Forum, Inc. in the United States and/or other countries. VESA is either a trademark or registered trademark of Video Electronics Standards Association in the United States and/or other countries. Zoom Rooms is either a trademark or registered trademark of Zoom Video Communications, Inc. in the United States and/or other countries. Other trademarks, registered trademarks, and trade names may be used in this document to refer to either the entities claiming the marks and names or their products. Crestron disclaims any proprietary interest in the marks and names of others. Crestron is not responsible for errors in typography or photography.

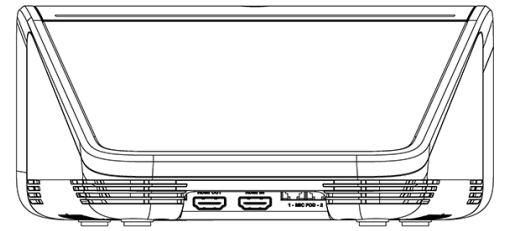
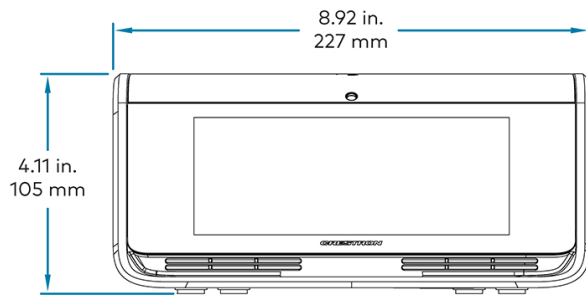
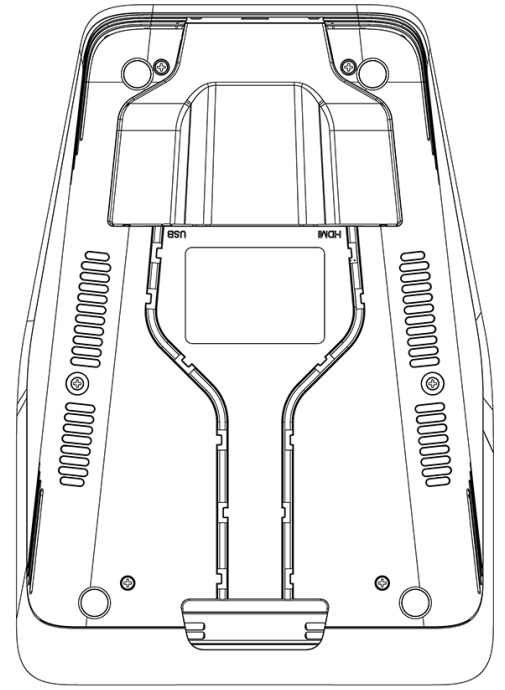
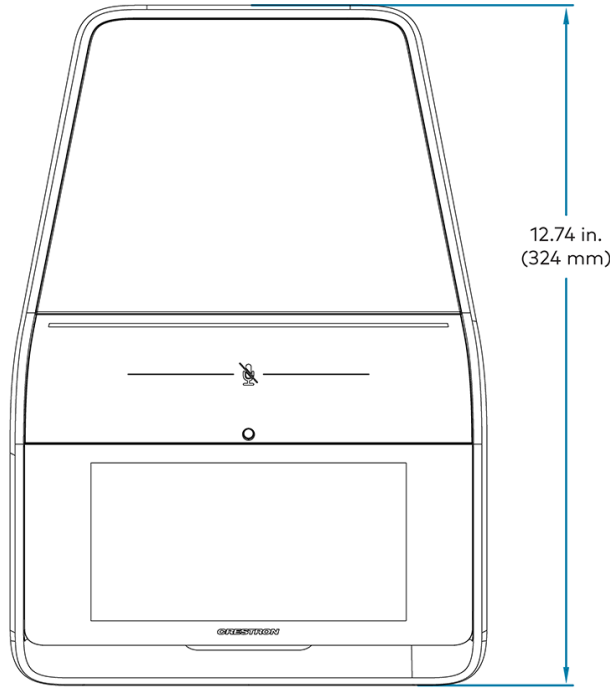
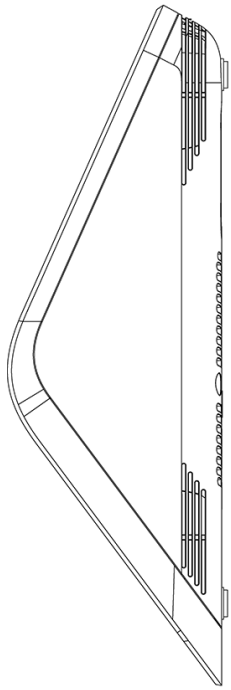
Specifications are subject to change without notice.

©2020 Crestron Electronics, Inc.

Rev 07/22/20

# UC-M130-Z

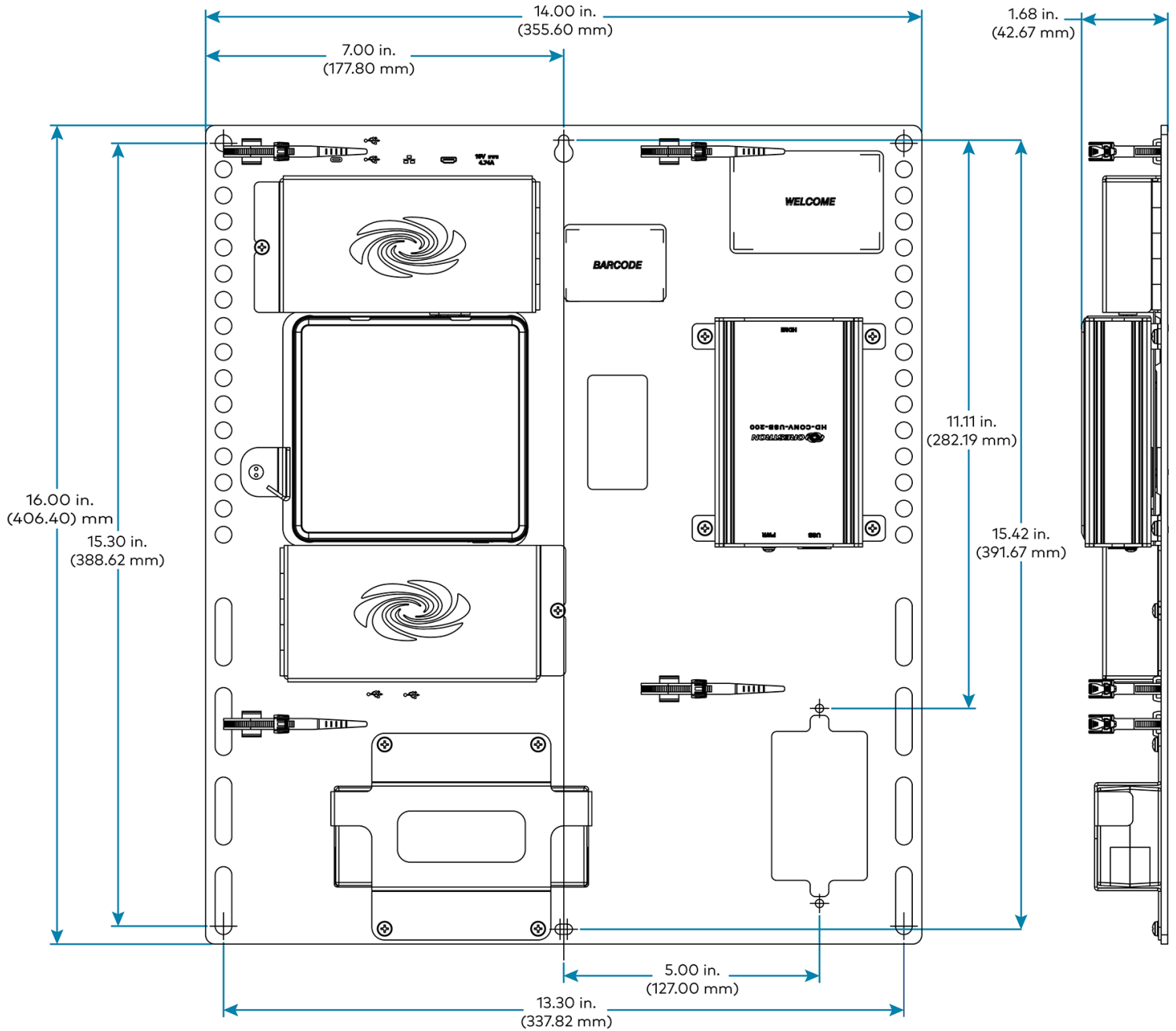
Crestron Flex Tabletop UC Video Conference System for Zoom Rooms™ Software



CCS-UC-1

# UC-M130-Z

Crestron Flex Tabletop UC Video Conference System for Zoom Rooms™ Software



UC-BRKT-100-SD-Z-ASSY