

FT2A-UTK-PWS

Power Supply for FT2 Series Installation Guide



Description

The Crestron® FT2A-UTK-PWS is a 24 Vdc power supply that is used to supply power to the power bus in an FT2-ELEC assembly. The FT2A-UTK-PWS can replace the power supply that ships with the FT2-ELEC, or it can be used to supply additional power to the FT2-ELEC if two FT2A-CHGR-USBA/C modules are installed as part of the FlipTop™ system.

Additional Resources

Visit the product page on the Crestron website (www.crestron.com) for additional information and the latest firmware updates. Use a QR reader application on your mobile device to scan the QR image.



Installation

Use the following procedure to install the FT2A-UTK-PWS.

NOTE: Connect the power supply to the power bus prior to installing any modules.

NOTE: Two power supplies are required if installing two FT2A-CHGR-USBA/C modules in the FT2-ELEC. For more information, refer to the FT2A-CHGR-USBA/C Installation Guide (Doc. 8219) at www.crestron.com/manuals.

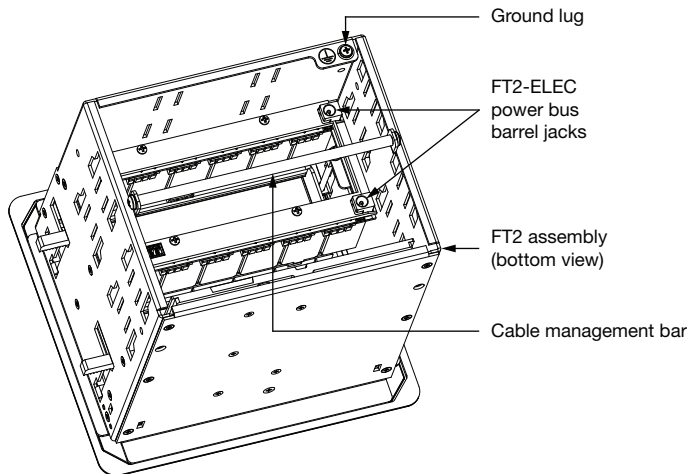
1. Underneath the table, connect the power supply to the bottom of the power bus as follows:
 - a. If connecting one power supply to the power bus, connect the dual connector ends of the included Y-adapter cable to the two barrel jacks under the power bus. Then, connect the power supply's power cord to the single connector end of the Y-adapter.

Y-Adapter Cable



- b. If connecting two power supplies to the power bus, connect each power supply's power cord to a barrel jack in the power bus.

Connecting the FT2A-UTK-PWS to the FT2-ELEC Power Bus

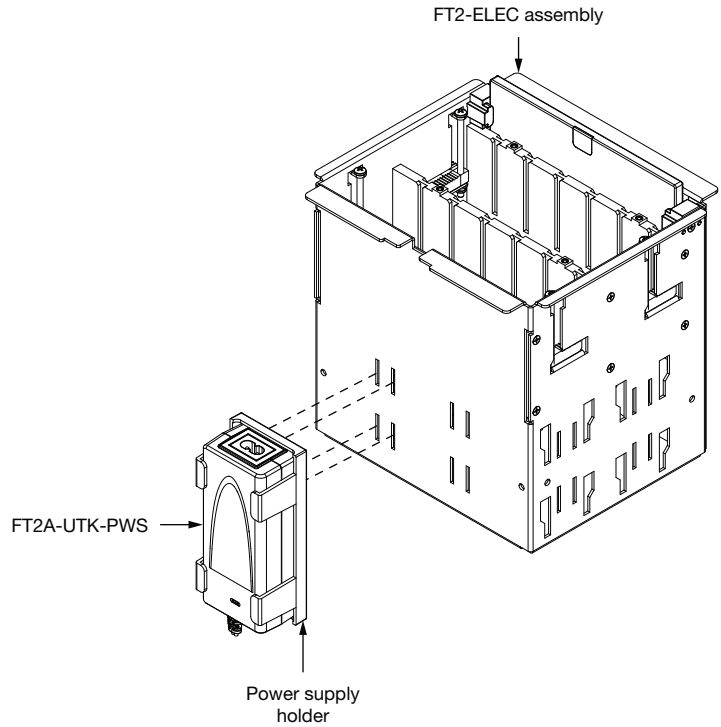


NOTE: Ensure that the unit is properly grounded by connecting the chassis ground lug to an earth ground (building steel).

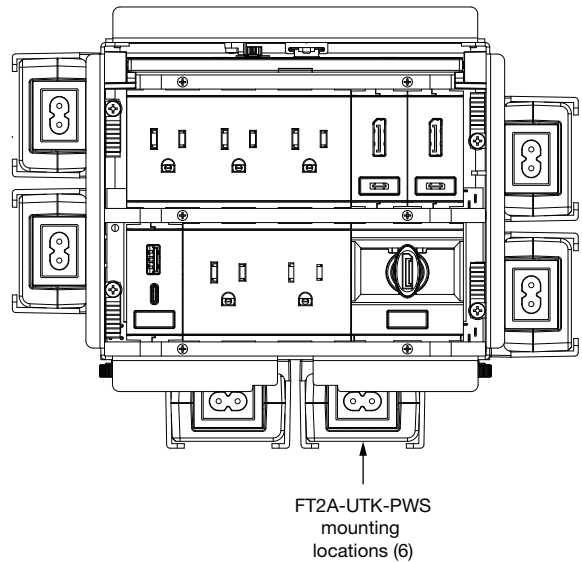
2. Dress the power cord and secure it to the cable management bar on the bottom of the assembly. Refer to the image above for the location of the cable management bar.

3. Slide the power supply into the power supply holder until it is secured in place.
4. Insert the power supply holder into the side of the FT2-ELEC assembly so that the four mounting posts on the rear of the holder engage the four rectangular slots in one of the six mounting locations. (Refer to the illustrations below.) Then, slide the holder downward until it is secured to the assembly.

Attaching the FT2A-UTK-PWS to the FT2-ELEC Assembly



FT2A-UTK-PWS Mounting Locations



5. Connect the included 5' 10" (1.78 m) power cable to the power jack on top of the power supply, and then connect the other end to a power source.

NOTE: Do not apply power until all modules have been installed and all connections have been made to the FT2-ELEC.

As of the date of manufacture, the product has been tested and found to comply with specifications for CE marking.



This product is Listed to applicable UL® Standards and requirements tested by Underwriters Laboratories Inc.



Federal Communications Commission (FCC) Compliance Statement

This device complies with part 15 of the FCC Rules. Operation is subject to the following conditions:
(1) This device may not cause harmful interference and (2) this device must accept any interference received, including interference that may cause undesired operation.

CAUTION: Changes or modifications not expressly approved by the manufacturer responsible for compliance could void the user's authority to operate the equipment.

NOTE: This equipment has been tested and found to comply with the limits for a Class B digital device, pursuant to part 15 of the FCC Rules. These limits are designed to provide reasonable protection against harmful interference in a residential installation. This equipment generates, uses and can radiate radio frequency energy and, if not installed and used in accordance with the instructions, may cause harmful interference to radio communications. However, there is no guarantee that interference will not occur in a particular installation. If this equipment does cause harmful interference to radio or television reception, which can be determined by turning the equipment off and on, the user is encouraged to try to correct the interference by one or more of the following measures:

- Reorient or relocate the receiving antenna.
- Increase the separation between the equipment and receiver.

- Connect the equipment into an outlet on a circuit different from that to which the receiver is connected.
- Consult the dealer or an experienced radio/TV technician for help.

Industry Canada (IC) Compliance Statement

CAN ICES-3 (B)/NMB-3(B)

The product warranty can be found at www.crestron.com/warranty.

The specific patents that cover Crestron products are listed at www.crestron.com/legal/patents.

Certain Crestron products contain open source software. For specific information, please visit www.crestron.com/opensource.

Crestron, the Crestron logo, and FlipTop are either trademarks or registered trademarks of Crestron Electronics, Inc. in the United States and/or other countries. UL and the UL logo are either trademarks or registered trademarks of Underwriters Laboratories, Inc. in the United States and/or other countries. Other trademarks, registered trademarks, and trade names may be used in this document to refer to either the entities claiming the marks and names or their products. Crestron disclaims any proprietary interest in the marks and names of others. Crestron is not responsible for errors in typography or photography.

This document was written by the Technical Publications department at Crestron.

©2017 Crestron Electronics, Inc.

Crestron Electronics, Inc.
15 Volvo Drive, Rockleigh, NJ 07647
Tel: 888.CRESTRON
Fax: 201.767.7576
www.crestron.com

Installation Guide - DOC. 8251A
(2050263)

11.17

Specifications subject to
change without notice.