

UC-M70-UA

Crestron Flex Tabletop Large Room Audio Conference System



- *Tabletop audio conferencing solution for any UC platform*
- *Simple, intuitive touch screen UX provides a consistent user experience in every room*
- *Complete kit contains the Crestron Flex tabletop conferencing device, mic pod, cable, and power supply*
- *Easy to specify and install — no custom design, programming, or software installation required*
- *Premium-level support with Crestron Flex Care (optional)*
- *Network management and provisioning and system alerts through the XiO Cloud® service*
- *Enterprise-grade security - connects and communicates securely over any enterprise or SMB network*

The Crestron Flex UC-M70-UA provides an audio conference room solution for open-platform UC applications. It features the Crestron Flex tabletop conferencing device (CCS-UC-1), mic pod (CCS-UCA-MIC), cables, and power supply.

Intuitive User Interface with Impressive Audio

The Crestron Flex Tabletop Conference device (CCS-UC-1) provides a superior conferencing and collaboration experience with its large 7 in. HD display, integrated 360° quad microphone array, and an AEC-enabled USB speakerphone that supports full-duplex wideband audio performance.

Voice Calling & Audio Conferencing

The CCS-UC-1 is a full-featured VoIP conferencing speakerphone that's fully compatible with major SIP-compliant phone systems. Its advanced design provides highly intelligible, full-duplex communication for every participant around a conference table. Dialing and answering calls is easy and intuitive using the large HD color touch screen. Corporate directory access (LDAP) enables one-touch dialing from the customer's centrally managed directory.

The CCS-UC-1 can pair with a mobile phone using Bluetooth® connectivity to make or join phone calls, or to use as a speaker

and/or microphone for an application running on a smartphone. When used for calls, controls for the Bluetooth enabled phone appear on the touch screen, enabling instant connectivity with the press of a button.

The CCS-UC-1 functions like any USB Audio class device, allowing you to connect a laptop computer via USB to improve audio performance for any softphone, multimedia, or audio conferencing application running on the laptop.

Enterprise-Grade Security

Crestron Flex is an enterprise-grade solution that is ideally equipped for mass deployment throughout any sized corporate, university, medical, military, or government facility. Its advanced security features ensure privacy, reliability, and compliance with your organization's IT policies.

Easy Provisioning and Device Management

The XiO Cloud service¹ is an IoT cloud-based provisioning service that enables installers and IT managers to easily deploy and manage thousands of devices. The XiO Cloud service allows for system alerts, network management and provisioning.

Visit www.crestron.com/xiocloud for additional information.

Premium-Level Support

Crestron Flex Care is an optional subscription service that automatically renews annually, providing 24/7 live remote technical support, an extended five year warranty on Crestron® hardware, expedited advance replacements, and a discounted rate for on-site support.

Visit www.crestron.com/flexcare for additional information.

Specifications

Included Components

CCS-UC-1	Crestron Flex tabletop conferencing device: <ul style="list-style-type: none">• Cable, CAT5e, RJ-45-to-RJ-45, 12 ft (3.66 m);• Cable management hardware
CCS-UCA-MIC	Extension microphone pod
CBL-USB-A-BMICRO-6	USB Cable, USB Type A Male to Micro-B Male cable, 6 ft (1.8 m)
PW-2420RU	Universal power supply and power cord

Crestron Flex tabletop conferencing device

Touch Screen	7 in. (178 mm) diagonal capacitive multi-touch TFT active matrix color LCD, 1280 x 800 pixels
Mic Mute Symbol and Light Bar	(2) Capacitive buttons with bi-color LEDs, either button toggles between mute and unmute

UC-M70-UA

Crestron Flex Tabletop Large Room Audio Conference System

AEC	Limes Audio TrueVoice® acoustic echo cancellation, automatic mic mixing, automatic gain control, and dynamic noise reduction, full-duplex IEEE 1329 Type 1 compliant
Speaker	Full range speaker; Amplifier Power: 11 W; 95 dB SPL at 0.5 m maximum output; Frequency Response: 90 Hz to 22 kHz
Microphones	360° quad mic array; Pickup Range (typical): 20 ft (6 m)
Extension Microphones	One extension microphone pod (CCS-UCA-MIC) included
Occupancy Sensor	6 ft (1.83 m) PIR range in front of touch screen;
Ethernet	Dual-port 100 Mbps, enterprise grade security and management including IEEE 802.1X, Active Directory® authentication, LDAP, Kerberos, SSL, TLS, SSH, SFTP (SSH File Transfer Protocol), SRTP, digest access authentication, password login, HTTPS secure provisioning, XiO Cloud service, primary port is IEEE 802.3at Type 2 PoE+ compliant
USB	USB 2.0 micro Type B device port, supports UAC for audio interface (cable included)
Power Options	PoE+: IEEE 802.3at Type 2, Class 4 (25.5 W) PoE+ Powered Device
	NOTE: If the additional mic pod (CCS-UCA-MIC) is used, PoE+ cannot be used to power the device.
	24 VDC: 24 VDC via external 100-240 VAC, 50/60 Hz power pack, model PW-2420RU
Dimensions	Height: 4.11 in. (104 mm) Width: 8.92 in. (227 mm) Depth: 12.74 in. (324 mm)
Weight	5.5 lb (2.5 kg)

Microphone Pod

Model	CCS-UCA-MIC
Communications	A2B bus protocol, slave, synchronous data, multichannel I2S/TDM to I2S/TDM
Microphone	Triple mic array with (3) cardioid electret elements
Pickup Range	20 ft (6 m) typical, 360°
Mic Mute	(1) Capacitive button with bi-color LED, toggles between mute and unmute (affects all system mics)

Connectors	(2) RJ9 4P4C connector, female
Power	Powered via the CCS-UC-1 through the A2B bus
Dimensions	Height: 0.97 in (25 mm) Width: 3.81 in (97 mm) Depth: 3.42 in (87 mm)

Model

UC-M70-UA

Available Accessories

For a list of available accessories, visit the [UC-M70-UA](#) product page.

Note:

1. The XiO Cloud service is a room based subscription service available separately.

This product may be purchased from select authorized Crestron dealers and distributors. To find a dealer or distributor, please contact the Crestron sales representative for your area. A list of sales representatives is available online at [www.crestron.com/How-To-Buy/Find-a-Representative](#) or by calling 855-263-8754.

This product is covered under the Crestron standard limited warranty. Refer to [www.crestron.com/warranty](#) for full details.

The specific patents that cover Crestron products are listed online at [patents.crestron.com](#).

Certain Crestron products contain open source software. For specific information, please visit [www.crestron.com/opensource](#).

Crestron, the Crestron logo, and XiO Cloud are either trademarks or registered trademarks of Crestron Electronics, Inc. in the United States and/or other countries. Bluetooth is either a trademark or registered trademark of Bluetooth SIG, Inc. in the United States and/or other countries. TrueVoice is either a trademark or registered trademark of Google Inc. in the United States and/or other countries. Active Directory is either a trademark or registered trademark of Microsoft Corporation in the United States and/or other countries. Other trademarks, registered trademarks, and trade names may be used in this document to refer to either the entities claiming the marks and names or their products. Crestron disclaims any proprietary interest in the marks and names of others. Crestron is not responsible for errors in typography or photography.

Specifications are subject to change without notice.

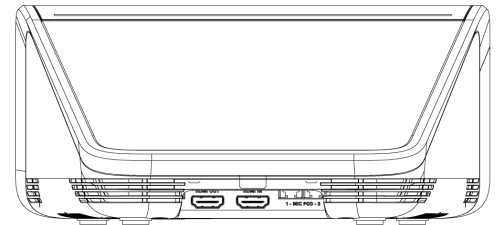
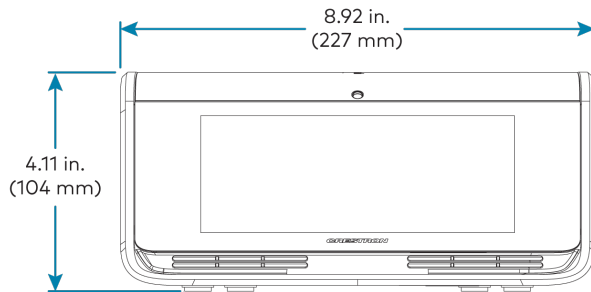
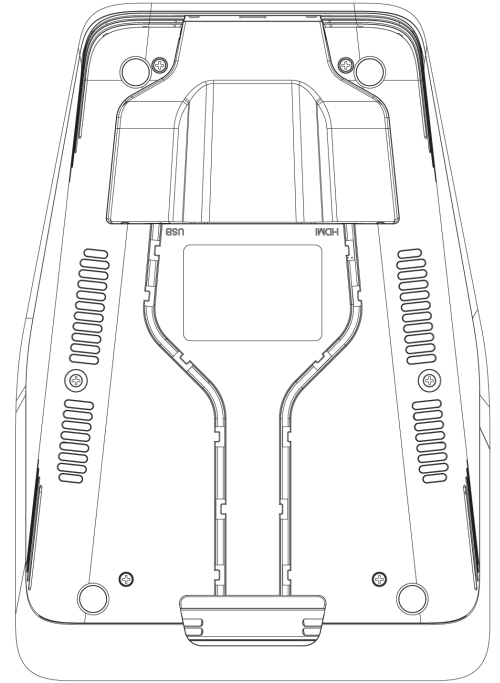
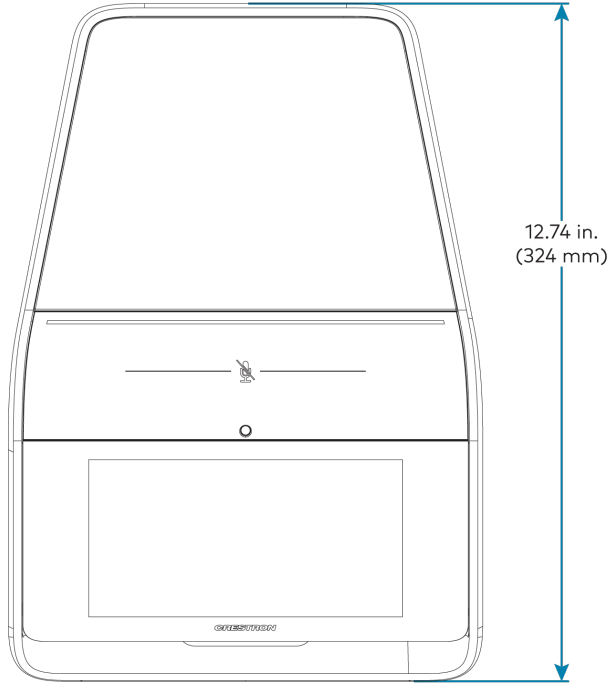
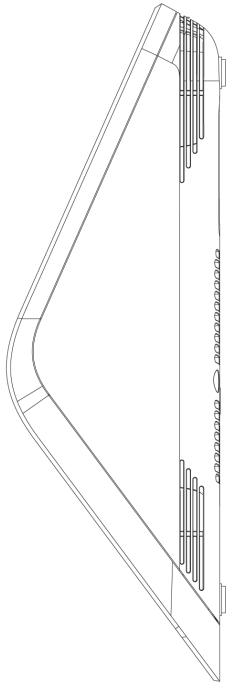
©2021 Crestron Electronics, Inc.

Rev 02/10/21

UC-M70-UA

Crestron Flex Tabletop Large Room Audio Conference System

CCS-UC-1



UC-M70-UA

Crestron Flex Tabletop Large Room Audio Conference System

CCS-UCA-MIC

