

Crestron **TPMC-3X-DSW**
Wall Mount Docking Station for TPMC-3X
Operations & Installation Guide



This document was prepared and written by the Technical Documentation department at:



Industry Compliance

As of the date of manufacture, the TPMC-3X-DSW has been tested and found to comply with specifications for CE marking and standards per EMC and Radiocommunications Compliance Labelling.



Federal Communications Commission (FCC) Compliance Statement

This device complies with part 15 of the FCC rules. Operation is subject to the following conditions: (1) this device may not cause harmful interference and (2) this device must accept any interference received, including interference that may cause undesired operation.

CAUTION: Changes or modifications not expressly approved by the manufacturer responsible for compliance could void the user's authority to operate the equipment.

NOTE: This equipment has been tested and found to comply with the limits for a Class B digital device, pursuant to part 15 of the FCC rules. These limits are designed to provide reasonable protection against harmful interference in a residential installation. This equipment generates, uses and can radiate radio frequency energy and if not installed and used in accordance with the instructions, may cause harmful interference to radio communications. However, there is no guarantee that interference will not occur in a particular installation. If this equipment does cause harmful interference to radio or television reception, which can be determined by turning the equipment off and on, the user is encouraged to try to correct the interference by one or more of the following measures:

- Reorient or relocate the receiving antenna
- Increase separation between the equipment and the receiver
- Connect the equipment inot an outlet on a circuit different from that to which the receiver is connected
- Consult the dealer or an experienced radio/TV technician for help

The specific patents that cover Crestron products are listed at patents.crestron.com.

Crestron, the Crestron logo, Cresnet and Isys are either trademarks or registered trademarks of Crestron Electronics, Inc. in the United States and/or other countries. Other trademarks and trade names may be used in this document to refer to either the entities claiming the marks and names or their products. Crestron disclaims any proprietary interest in the marks and names of others.

©2012 Crestron Electronics, Inc.

Contents

Wall Mount Docking Station for TPMC-3X: TPMC-3X-DSW	1
Introduction	1
Features and Functions	1
Specifications	2
Physical Description	3
Setup	5
Installation	5
Hardware Hookup	7
Problem Solving	8
Troubleshooting	8
Reference Documents	8
Further Inquiries	9
Future Updates	9
Return and Warranty Policies	10
Merchandise Returns / Repair Service	10
Crestron Limited Warranty	10

Wall Mount Docking Station for TPMC-3X: TPMC-3X-DSW

Introduction

The Crestron[®] TPMC-3X-DSW is a wall-mountable docking station and battery charger designed specifically for use with the Isys[®] TPMC-3X Handheld WiFi Touch Screen (sold separately). It mounts to a 1-gang standard electrical box or plaster ring and is finished using any off-the shelf decorative faceplate (not included). It features a magnetic catch for easy docking and extra stability. Power may be provided by the Cresnet[®] control bus* or any Crestron 24 VDC regulated power source. It is available in white or black.

NOTE: The TPMC-3X-DSW is not compatible with the TPMC-3X-LP.

For detailed information about the TPMC-3X, refer to the latest version of the TPMC-3X Series Operations Guide (Doc. 6789), which is available from the Crestron Web site (www.crestron.com/manuals).

Features and Functions

- A stylish wall mount dock for the TPMC-3X
- Provides a convenient battery charging solution
- Available in white or black

* For power only; does not enable wired communication.

Specifications

Specifications for the TPMC-3X-DSW are listed in the following table.

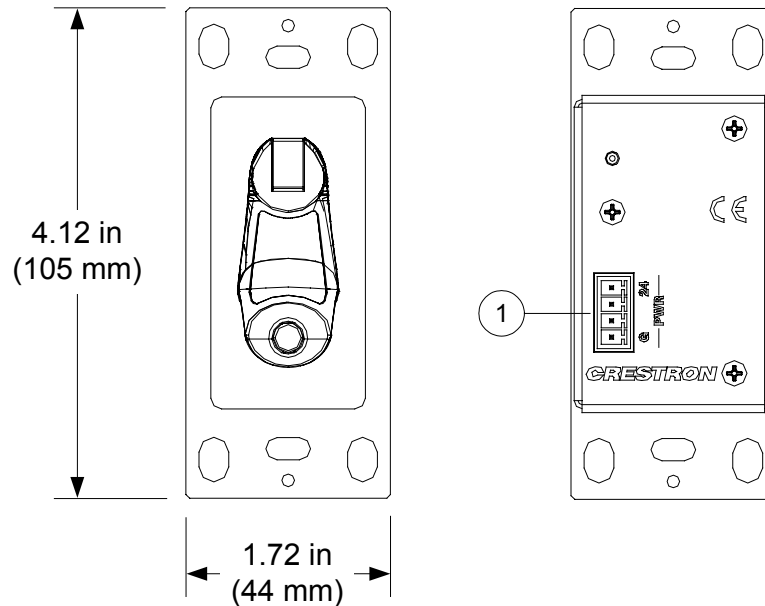
TPMC-3X-DSW Specifications

SPECIFICATION	DETAILS
Power Requirements Cresnet Power Usage	11 Watts (0.425 Amps @ 24 Volts DC)
Environmental Temperature Humidity Heat Dissipation	40° to 104° F (5° to 40° C) 10% to 90% RH (non-condensing) 38 BTU/Hr
Enclosure	1-gang mountable in a standard electrical box; requires decorative faceplate (not included)
Dimensions Height Width Depth	4.12 in (105 mm) 1.72 in (44 mm) 2.60 in (66 mm)
Weight	6 oz (155 g)
Available Models TPMC-3X-DSW TPMC-3X-DSW-W-S	Wall Mount Docking Station for TPMC-3X, Black Smooth Wall Mount Docking Station for TPMC-3X, White Smooth
Available Accessories CRESNET-NP CRESNET-P Power Supply	Cresnet Control Cable, Non-Plenum Cresnet Control Cable, Plenum 18 Watt Cresnet Power Supply, US/International

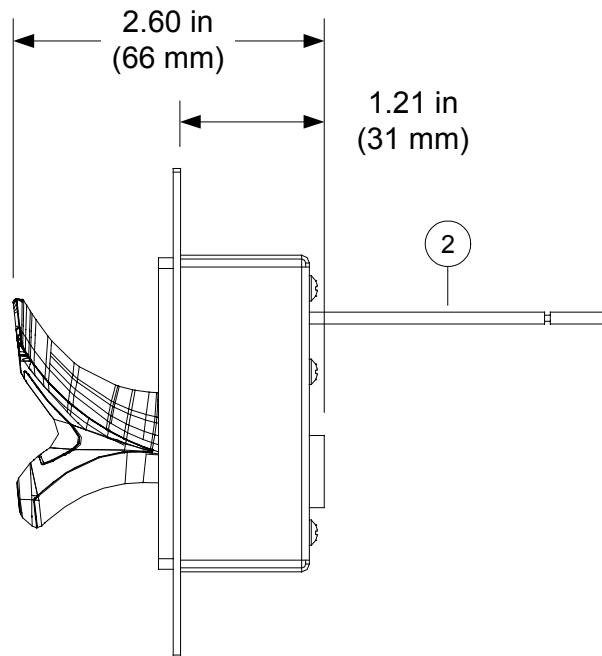
Physical Description

This section provides information on the connections, controls and indicators available on the TPMC-3X-DSW.


TPMC-3X-DSW Overall Dimensions (Front and Rear Views)



TPMC-3X-DSW Overall Dimensions (Side View)



Connectors, Controls & Indicators

#	CONNECTORS ¹ , CONTROLS & INDICATORS	DESCRIPTION
1	<p>PWR</p>  <p>G 24</p>	(1) 4-pin 3.5 mm detachable terminal block; 24 Volt DC power input, Cresnet compatible ² 24: Power (24 Volts DC) G: Ground
2	Ground	(1) Flying lead, grounding wire

1. An interface connector for the **PWR** port is provided with the unit.
2. For power only; does not enable wired communication.

Setup

Installation

To prevent overheating, do not operate this product in an area that exceeds the environmental temperature range listed in the table of specifications.

The following tools and accessories are required for installation of a TPMC-3X-DSW:

- Standard 1-gang electrical box (not supplied)
- Flat head screwdriver (not supplied)
- Two #06-32 x 1" screws (included)

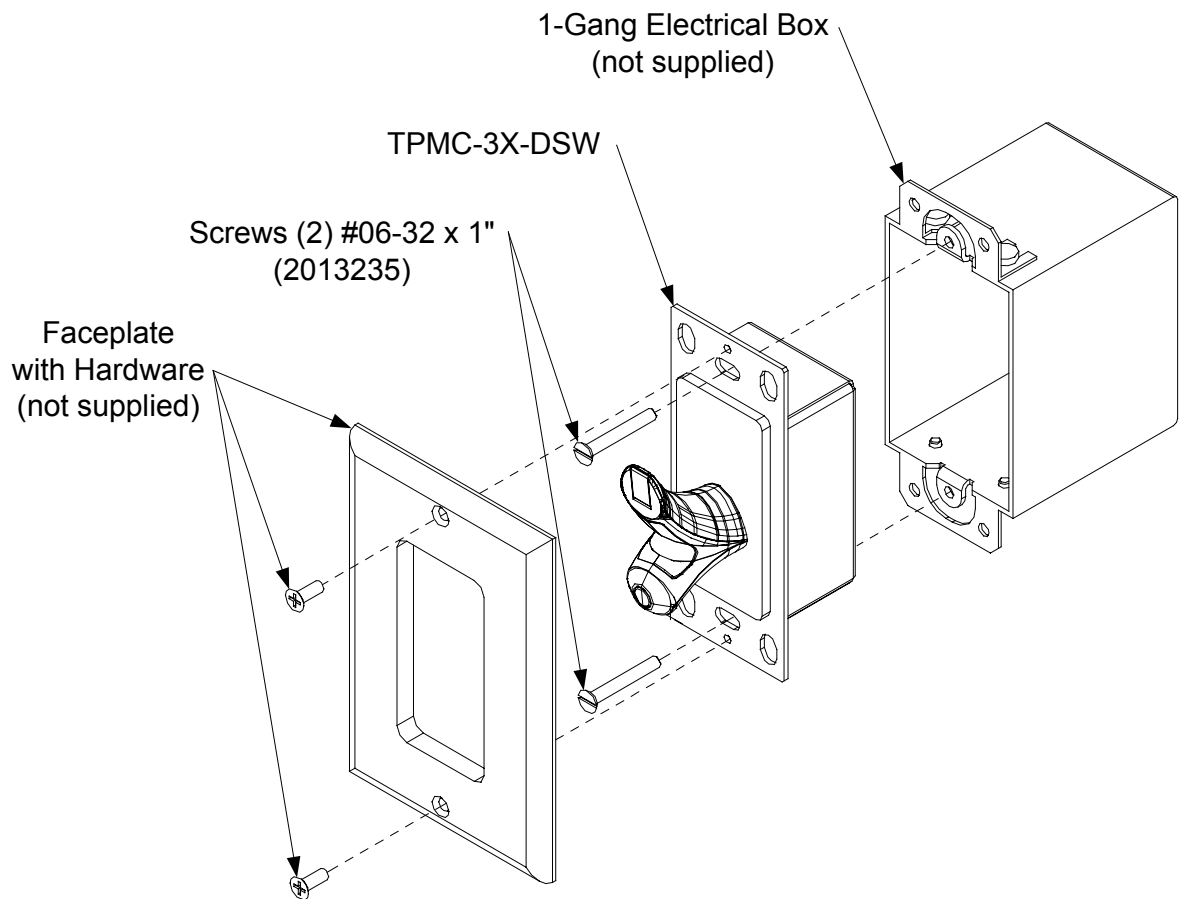
After Cresnet power (or other Crestron 24 Volt power source) wiring has been installed and verified, use the following procedure to install the TPMC-3X-DSW.

1. Turn system power **OFF**.
2. Connect the power supply cable to the **24** and **G** pins on the TPMC-3X-DSW's **PWR** connector.
3. Attach the TPMC-3X-DSW to the electrical box using the two supplied #06-32 x 1" screws (2013235).

CAUTION: Excess wire that is pinched between the TPMC-3X-DSW and the electrical box could short out. Make sure all excess wire is completely inside the electrical box and not between the box and the TPMC-3X-DSW.

4. Attach the faceplate using the screws that came with the faceplate.
5. Turn system power **ON**.

TPMC-3X-DSW Installation

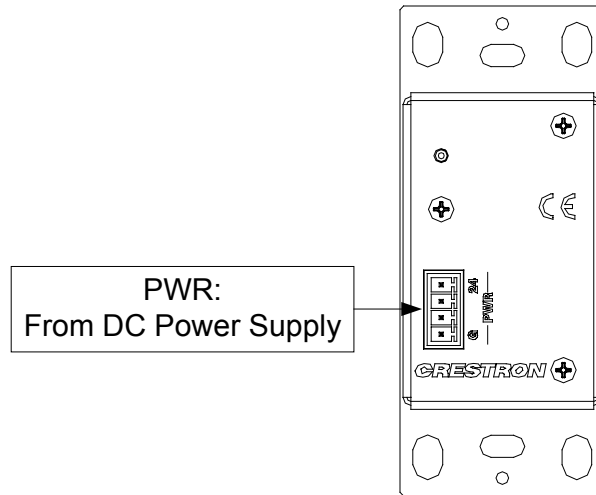


Hardware Hookup

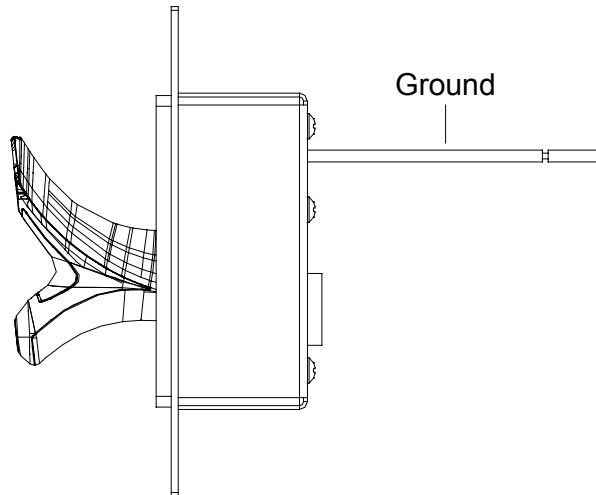
Make the necessary connections as called out in the illustrations that follow this paragraph. Apply power after all connections have been made.

When making connections to the TPMC-3X-DSW, use Crestron power supplies for Crestron equipment.

Hardware Connections for the TPMC-3X-DSW (Rear View)



Hardware Connections for the TPMC-3X-DSW (Side View)



Problem Solving

Troubleshooting

The following table provides corrective action for possible trouble situations. If further assistance is required, please contact a Crestron customer service representative.

TPMC-3X-DSW Troubleshooting

TROUBLE	POSSIBLE CAUSE(S)	CORRECTIVE ACTION
The internal battery of the touch screen does not recharge.	The contacts on the TPMC-3X-DSW are dirty.	Remove the touch screen and clean the contacts.
	The internal battery cannot retain a charge.	Undock the touch screen and replace the internal battery.
	The PWR connector is not secure.	Remove the touch screen and check that the connector is secure.
	Incorrect power supply.	Use a Crestron power supply with sufficient power.

Reference Documents

The latest version of all documents mentioned within the guide can be obtained from the Crestron Web site (www.crestron.com/manuals).

List of Related Reference Documents

DOCUMENT TITLE
TPMC-3X Series Isys 2.8" Handheld WiFi Touch Screens

Further Inquiries

To locate specific information or resolve questions after reviewing this guide, contact Crestron's True Blue Support at 1-888-CRESTRON [1-888-273-7876] or refer to the listing of Crestron worldwide offices on the Crestron Web site (www.crestron.com/offices) for assistance within a particular geographic region.

To post a question about Crestron products, log onto the Online Help section of the Crestron Web site (www.crestron.com/onlinehelp). First-time users must establish a user account to fully benefit from all available features.

Future Updates

As Crestron improves functions, adds new features and extends the capabilities of the TPMC-3X-DSW, additional information may be made available as manual updates. These updates are solely electronic and serve as intermediary supplements prior to the release of a complete technical documentation revision.

Check the Crestron Web site periodically for manual update availability and its relevance. Updates are identified as an “Addendum” in the Download column.

Return and Warranty Policies

Merchandise Returns / Repair Service

1. No merchandise may be returned for credit, exchange or service without prior authorization from Crestron. To obtain warranty service for Crestron products, contact an authorized Crestron dealer. Only authorized Crestron dealers may contact the factory and request an RMA (Return Merchandise Authorization) number. Enclose a note specifying the nature of the problem, name and phone number of contact person, RMA number and return address.
2. Products may be returned for credit, exchange or service with a Crestron Return Merchandise Authorization (RMA) number. Authorized returns must be shipped freight prepaid to Crestron, 6 Volvo Drive, Rockleigh, N.J. or its authorized subsidiaries, with RMA number clearly marked on the outside of all cartons. Shipments arriving freight collect or without an RMA number shall be subject to refusal. Crestron reserves the right in its sole and absolute discretion to charge a 15% restocking fee plus shipping costs on any products returned with an RMA.
3. Return freight charges following repair of items under warranty shall be paid by Crestron, shipping by standard ground carrier. In the event repairs are found to be non-warranty, return freight costs shall be paid by the purchaser.

Crestron Limited Warranty

Crestron Electronics, Inc. warrants its products to be free from manufacturing defects in materials and workmanship under normal use for a period of three (3) years from the date of purchase from Crestron, with the following exceptions: disk drives and any other moving or rotating mechanical parts, pan/tilt heads and power supplies are covered for a period of one (1) year; touch screen display and overlay components are covered for 90 days; batteries and incandescent lamps are not covered.

This warranty extends to products purchased directly from Crestron or an authorized Crestron dealer. Purchasers should inquire of the dealer regarding the nature and extent of the dealer's warranty, if any.

Crestron shall not be liable to honor the terms of this warranty if the product has been used in any application other than that for which it was intended or if it has been subjected to misuse, accidental damage, modification or improper installation procedures. Furthermore, this warranty does not cover any product that has had the serial number altered, defaced or removed.

This warranty shall be the sole and exclusive remedy to the original purchaser. In no event shall Crestron be liable for incidental or consequential damages of any kind (property or economic damages inclusive) arising from the sale or use of this equipment. Crestron is not liable for any claim made by a third party or made by the purchaser for a third party.

Crestron shall, at its option, repair or replace any product found defective, without charge for parts or labor. Repaired or replaced equipment and parts supplied under this warranty shall be covered only by the unexpired portion of the warranty.

Except as expressly set forth in this warranty, Crestron makes no other warranties, expressed or implied, nor authorizes any other party to offer any warranty, including any implied warranties of merchantability or fitness for a particular purpose. Any implied warranties that may be imposed by law are limited to the terms of this limited warranty. This warranty statement supersedes all previous warranties.

This page is intentionally left blank.



Crestron Electronics, Inc.
15 Volvo Drive Rockleigh, NJ 07647
Tel: 888.CRESTRON
Fax: 201.767.7576
www.crestron.com

**Operations & Installation Guide – DOC. 6816B
(2024249)**

08.12

Specifications subject to
change without notice.