

GLA-HBS-300 by Steinel

360° High Bay Occupancy Sensor



Item No.	64131 (indv. packaged) 64130 (bulk)
Accessories	LC4, Reduced Range Lens Cover LC5, 180° Half Moon Lens Cover EM1, Extender Module
Voltage	120/230/277 VAC, 50/60 Hz
Load Rating	120 VAC: 0-800 watt ballast, tungsten, 1/4 hp 230/277 VAC: 0-1200 watt ballast
Sensing Technology	passive infrared (PIR)
Time Delay Setting	15 seconds to 30 minutes
Light Level Setting	.2-200 footcandles 2-2000 lux
Environment	IP20 rated, -4°F to +122°F, -20°C to +50°C
Coverage	360° up to 22 ft (6.7 m) radial reach, up to 60 ft (18.2 m) tangential reach
Sensors	3 dual element infrared pyroelectric detectors
Lens Design	1416 switching zones
Dimensions (LxWxD)	3.9 x 3.9 x 2.6 in, 99 x 99 x 66 mm, nipple length .62 in (15.75 mm)
Warranty	5 years
Certifications	C-UL-US Listed, RoHS Compliant, CA Compliant

The HBS 300 High Bay Occupancy Sensor provides 360 degrees of occupancy based lighting control in high bay open area applications.

The sensor performs at a wide range of mounting heights, up to 45 ft. The EM1 Extender Module mounts directly to a high bay lighting fixture or junction box. With three highly sensitive pyroelectric detectors and a multi-segmented lens, the HBS 300 is able to achieve 1416 switching zones.

Applications

High bay open areas where 360 degree coverage is desired, such as in warehouses, distribution centers, gymnasiums, and loading docks.

Key Features:

- 360° coverage with up to 60 ft tangential reach
- Coverage area may be adjusted with plastic lens covers that snap to the front of the sensor
- 3 pyroelectric detectors with 1416 switching zones
- Automatically adjusts to temperature changes keeping sensitivity and coverage consistent
- Light level feature allows lighting to remain off during daylight regardless of occupancy
- Built-in surge protection with auto-reset

120/230/
277V

Voltage

PIR

Passive Infrared Technology



360° Coverage Max 60 Ft

Fixture
or J Box
Mount

Fixture or Junction Box
Mounting



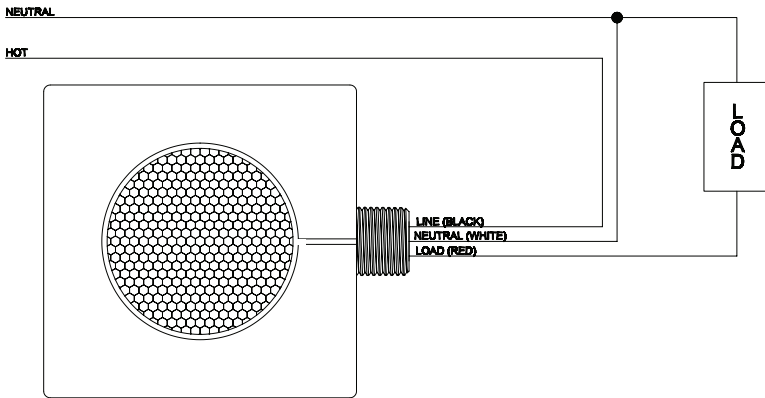
0.2 - 200 fc

GLA-HBS-300 by Steinel

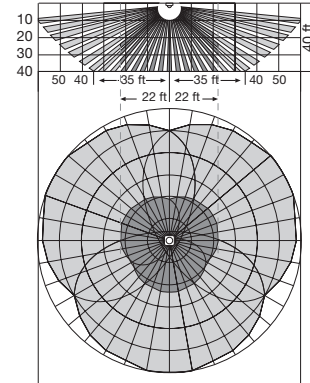
360° High Bay Occupancy Sensor



Wiring

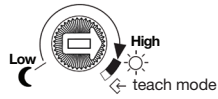
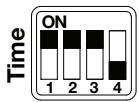
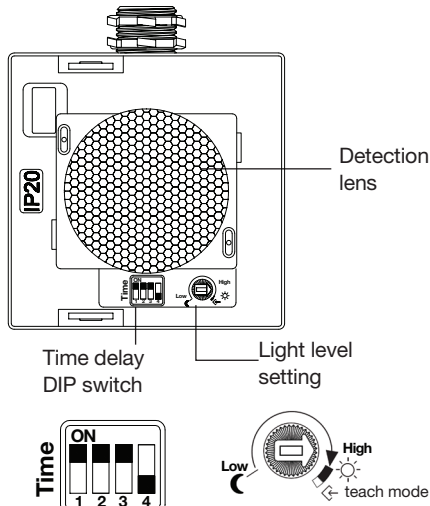


Coverage



Typical mounting height is 8 to 45 ft. Maximum reach is 22 ft radial and 60 ft tangential. Coverage may vary depending on mounting height and environmental conditions.

Setting

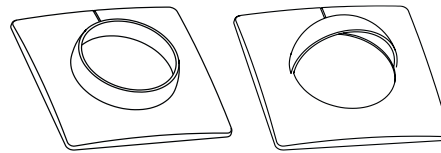


Time Delay DIP Switch

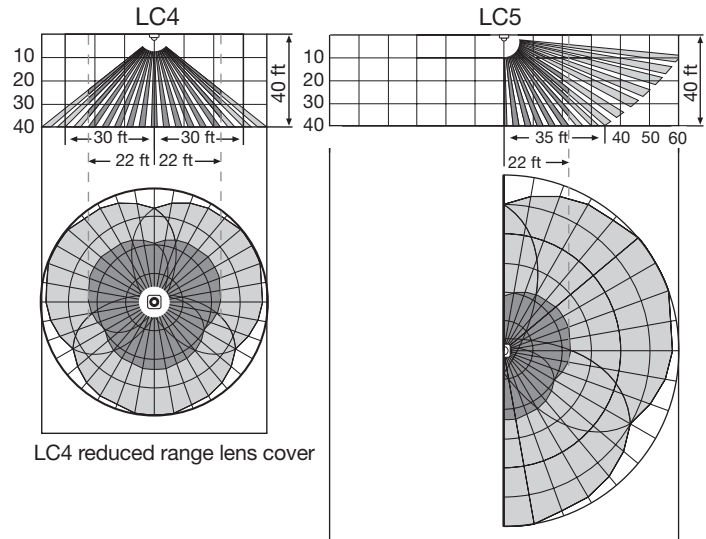
1	2	3	4	Time
ON	ON	ON	OFF	15 sec
ON	OFF	OFF	OFF	1 min
OFF	ON	ON	OFF	5 min
ON	OFF	ON	OFF	10 min
ON	ON	OFF	OFF	15 min
OFF	ON	OFF	OFF	20 min
OFF	OFF	ON	OFF	25 min
OFF	OFF	OFF	OFF	30 min
N/A	N/A	N/A	ON	override

Factory setting is 15 minutes.

Coverage Adjustment



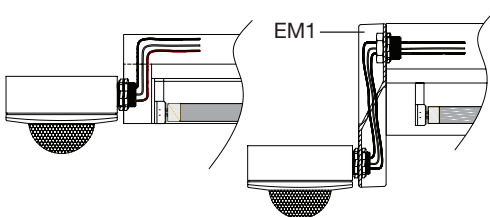
Lens covers can be used to adjust the HBS 300 coverage as needed. The covers are plastic and snap to the front of a sensor.



LC4 reduced range lens cover

LC5 180° half moon lens cover

Mounting



The HBS 300 is mounted directly to a lighting fixture. The EM1 Extender Module is recommended if the knockout at the end of the fixture is located greater than 1/2" from the bottom edge of the fixture.