



Description

The DM-PSU-ULTRA-MIDSPAN provides two PoDM++ power sourcing equipment (PSE) ports designed to power DM 8G+® PoDM powered devices (PDs). Each PoDM++ port of the DM-PSU-ULTRA-MIDSPAN can supply up to 45 watts of power to a PoDM++, PoDM+, or PoDM powered device. (Due to the inherent power loss over CATx cable, a maximum of 40 watts is delivered to the powered device.)

The DM-PSU-ULTRA-MIDSPAN can simultaneously power a DM 8G+ transmitter and receiver in a standalone configuration while passing data between the two devices. The DM-PSU-ULTRA-MIDSPAN can also power a touch screen that has a DM 8G+ input (for example, a TS-1542-C).

NOTE: The DM-PSU-ULTRA-MIDSPAN supplies power to a connected device only if the device requests power. As a result, the DM-PSU-ULTRA-MIDSPAN can be connected to the PSE port of a device that does not require power from the DM-PSU-ULTRA-MIDSPAN (for example, a DMPS3-4K-150-C).

NOTE: The DM-PSU-ULTRA-MIDSPAN is compatible with HDBaseT Alliance specifications and can be used to supply up to 30 watts of power to IEEE 802.3at compliant HDBaseT® devices. (Due to the inherent power loss over CATx cable, a maximum of 25.5 watts is delivered to the HDBaseT PoE+ or PoE powered device.)

Additional Resources

Visit the product page on the Crestron website (www.crestron.com) for additional information and the latest firmware updates. Use a QR reader application on your mobile device to scan the QR image.



Mounting

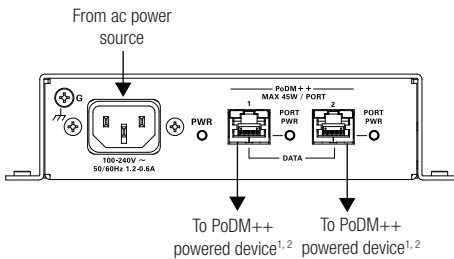
The DM-PSU-ULTRA-MIDSPAN can be mounted into a rack, onto a rack rail, or under a table:

- To mount the DM-PSU-ULTRA-MIDSPAN into a rack, use the Crestron® ST-RMK Rack Mount Kit (sold separately).
- To mount the DM-PSU-ULTRA-MIDSPAN onto a rack rail, use two mounting screws (not included).
- To mount the DM-PSU-ULTRA-MIDSPAN to the underside of a table, use four #12 x 5/8-inch mounting screws (not included).

Hardware Hookup

Connect the DM-PSU-ULTRA-MIDSPAN as required for the application.

Hardware Hookup

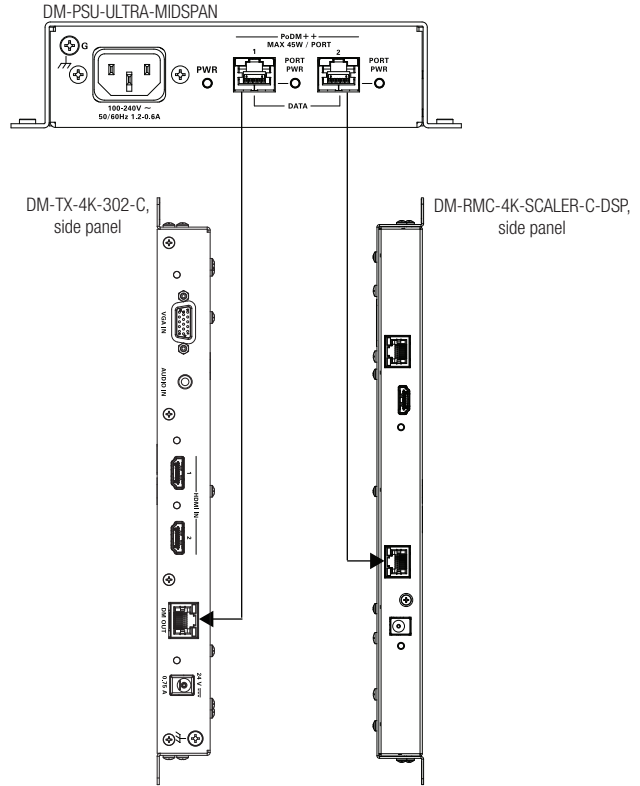


¹The PoDM++ PSE ports are also compatible with PoDM+, PoDM, HDBaseT PoE+, and HDBaseT PoE powered devices.

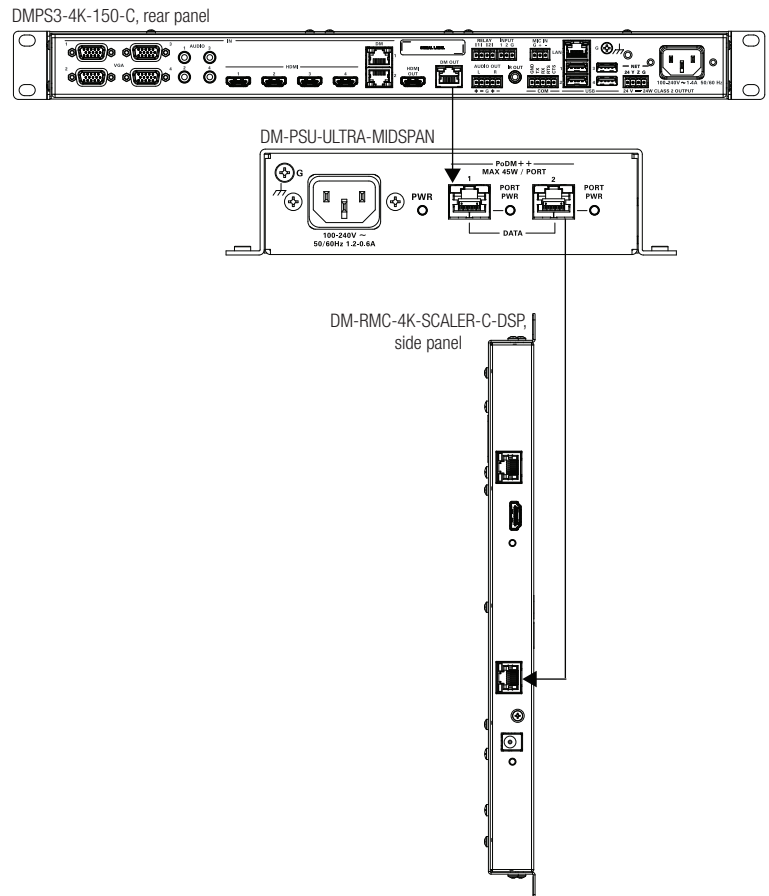
²Any wiring that is connected to a PoDM++ PSE port is for intrabuilding use only and should not be connected to a line that runs outside of the building in which the PSE is located.

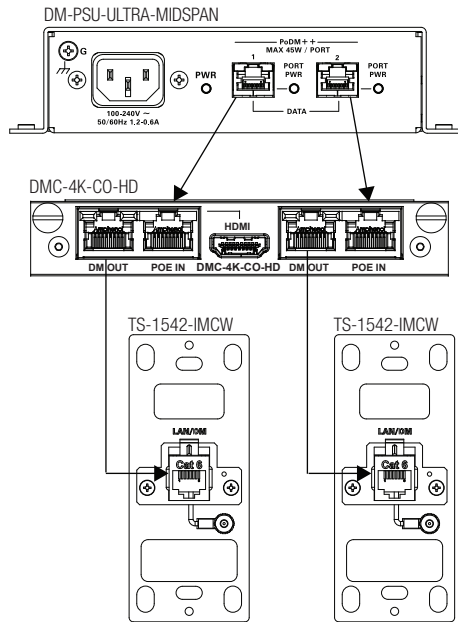
Refer to the following illustrations for sample connection diagrams.

Connection to DM-TX-4K-302-C Transmitter and DM-RMC-4K-SCALER-C-DSP Receiver



Connection to DMPS3-4K-150-C and DM-RMC-4K-SCALER-DSP



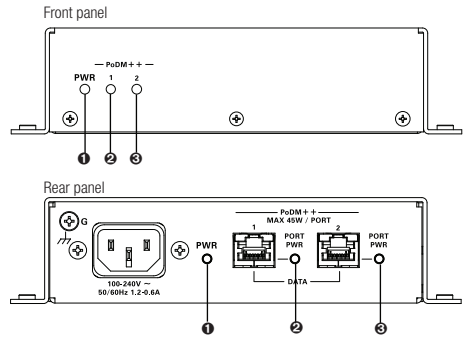


NOTE: The illustration above shows connection of the DMC-4K-CO-HD card to the TS-1542-IMCW. The DMC-4K-CO-HD card can also connect directly to the DM 8G+ input of the TS-1542-C touch screen.

LED Indicators

LED indicators are provided on the front and rear panels of the DM-PSU-ULTRA-MIDSPAN.

LED Indicators



- ❶ **PWR:** Lights green to indicate that the DM-PSU-ULTRA-MIDSPAN is receiving mains ac power
- ❷ **PoDM++ 1 PORT PWR:** Lights green to indicate that port 1 is delivering power to the connected device
- ❸ **PoDM++ 2 PORT PWR:** Lights green to indicate that port 2 is delivering power to the connected device

As of the date of manufacture, the DM-PSU-ULTRA-MIDSPAN has been tested and found to comply with specifications for CE marking.



This product is Listed to applicable UL Standards and requirements by Underwriters Laboratories Inc. Ce produit est homologué selon les normes et les exigences UL applicables par Underwriters Laboratories Inc.



This unit is for in-house use only, not for outside of building. Cet appareil est destiné pour utilisation dans la maison seulement, pas pour l'extérieur du bâtiment.

Mechanical Loading: Mounting of the equipment in the rack should be such that a hazardous condition is not achieved due to uneven mechanical loading.

Chargement Mécanique: Montage d'équipement dans le rack doit être telle qu'une situation dangereuse n'est pas lié a cause d'un chargement mécanique irrégulier.

Federal Communications Commission (FCC) Compliance Statement

This device complies with part 15 of the FCC Rules. Operation is subject to the following conditions: (1) This device may not cause harmful interference and (2) this device must accept any interference received, including interference that may cause undesired operation.

CAUTION: Changes or modifications not expressly approved by the manufacturer responsible for compliance could void the user's authority to operate the equipment.

NOTE: This equipment has been tested and found to comply with the limits for a Class B digital device, pursuant to part 15 of the FCC Rules. These limits are designed to provide reasonable protection against harmful interference in a residential installation. This equipment generates, uses and can radiate radio frequency energy and, if not installed and used in accordance with the instructions, may cause harmful interference to radio communications. However, there is no guarantee that interference will not occur in a particular installation. If this equipment does cause harmful interference to radio or television reception, which can be determined by turning the equipment off and on, the user is encouraged to try to correct the interference by one or more of the following measures:

- Reorient or relocate the receiving antenna.
- Increase the separation between the equipment and receiver.
- Connect the equipment into an outlet on a circuit different from that to which the receiver is connected.
- Consult the dealer or an experienced radio/TV technician for help.

Industry Canada (IC) Compliance (IC) Compliance Statement
Industrie Canada (IC) Déclaration de conformité

CAN ICES-3(B)/NMB-3(B)

The product warranty can be found at www.crestron.com/warranty.

The specific patents that cover Crestron products are listed at patents.crestron.com.

Certain Crestron products contain open source software. For specific information, please visit www.crestron.com/opensource.

Crestron, the Crestron logo, DigitalMedia, and DM 8G+ are either trademarks or registered trademarks of Crestron Electronics, Inc. in the United States and/or other countries. HDBaseT is either a trademark or registered trademark of the HDBaseT Alliance in the United States and/or other countries. UL and the UL logo are either trademarks or registered trademarks of Underwriters Laboratories, Inc. in the United States and/or other countries. Other trademarks, registered trademarks, and trade names may be used in this document to refer to either the entities claiming the marks and names or their products. Crestron disclaims any proprietary interest in the marks and names of others. Crestron is not responsible for errors in typography or photography.

This document was written by the Technical Publications department at Crestron.

©2016 Crestron Electronics, Inc.

Crestron Electronics, Inc.
15 Volvo Drive Rockleigh, NJ 07647
Tel: 888.CRESTRON
Fax: 201.767.7576
www.crestron.com

Installation Guide - DOC. 7848B
(2047018)

10.16
Specifications subject to
change without notice.