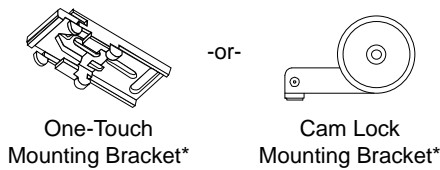
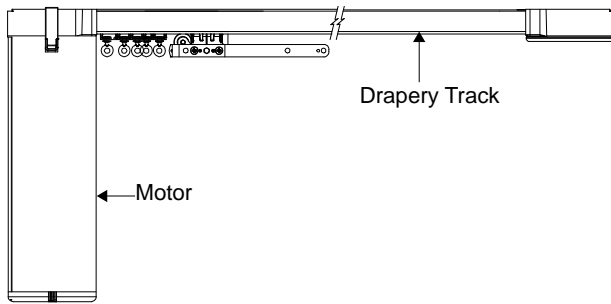
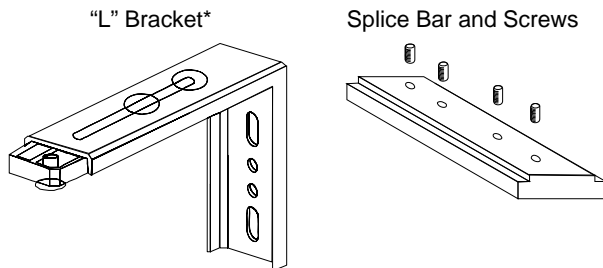


## Contents

The following items are included with the Crestron® drapery track assembly to ensure proper installation.



In addition to the items listed above, the following items are included, depending on order configuration, to ensure proper installation.



\* The number of "L" brackets, one-touch mounting brackets, and cam lock mounting brackets included depends on the length of the drapery track. Refer to the table that follows for the number of brackets supplied.

DRAPERY TRACK SIZE	BRACKETS SUPPLIED
Up to 30 in (Up to 121.92 cm)	2
31 – 60 in (124.46 – 182.88 cm)	3
61 – 90 in (185.42 – 254.00 cm)	4
91 – 120 in (256.54 – 330.20 cm)	5
121 – 150 in (307.34 – 381.00 cm)	6
151 – 180 in (383.54 – 457.20 cm)	7
181 – 210 in (459.74 – 533.40 cm)	8
211 – 240 in (535.94 – 609.60 cm)	9
241 – 270 in (612.14 – 685.80 cm)	10
271 – 300 in (688.34 – 762.00 cm)	11
301 – 330 in (764.54 – 838.20 cm)	12
331 – 360 in (840.74 – 914.40 cm)	13

## Assemble the Split Drapery Track (Optional)

Join the separated drapery track rails using the splice bar to create a continuous drapery track assembly. Ensure that the final assembled product does not have a space between the tracks.

1. Carefully remove the folded drapery track from the shipping box and place it on a flat surface. Remove the securing tape.

**NOTE:** The carrier arm is only attached to one side of the nut plate.

2. Use a Phillips screwdriver to remove the two screws holding the carrier arm and then remove the nut plate and fixing plate. Retain all parts for reassembly.

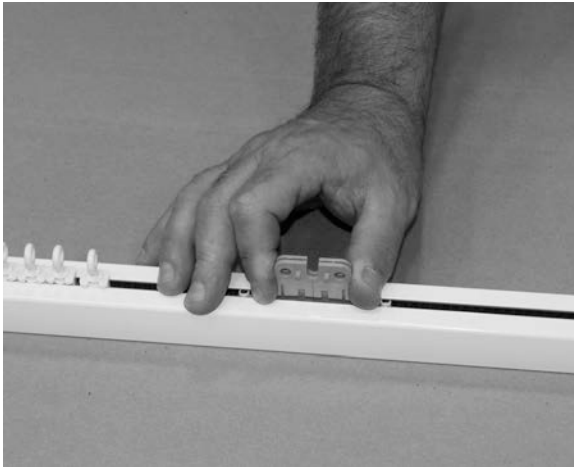
### Carrier Arm Attached to Nut Plate



3. Unfold the drapery track and carefully slide the belt into the drapery track. Align the two ends of the drapery track.
4. Slide the separated master carrier bodies together.

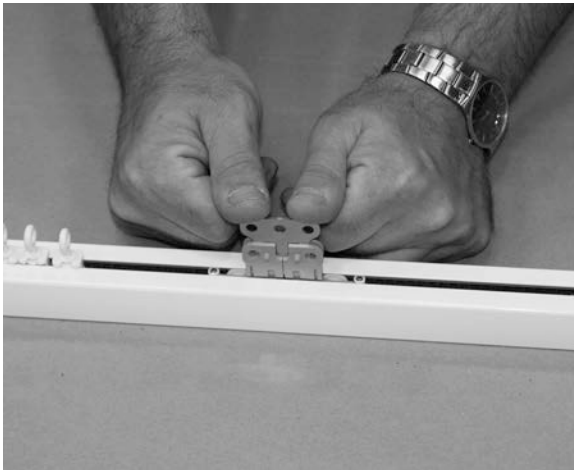


## *Slide Master Carriers Together*



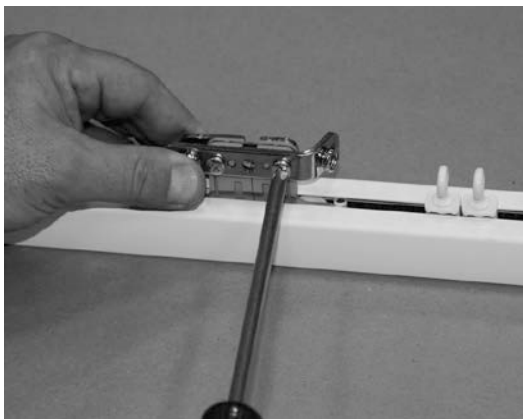
5. Insert the fixing plate into the master carrier bodies.

## *Insert the Fixing Plate into the Master Carrier*



6. Using a screwdriver and the screws that were previously removed, attach the carrier arm and nut plate.

## *Assemble the Carrier Arm and Nut Plate*



7. Locate the splice bar that is installed on the top side of the track and slide it into position. The splice bar should be centered between the two rails.

---

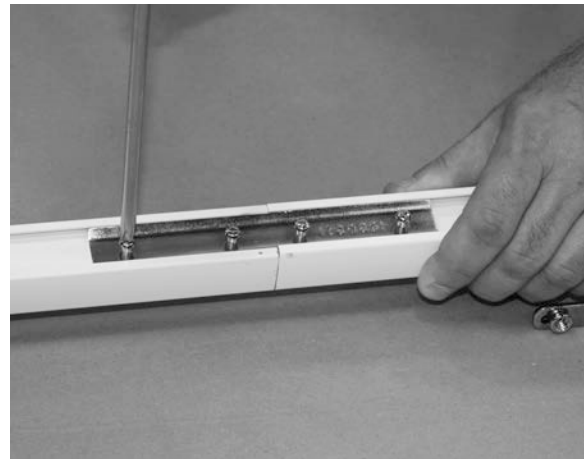
**NOTE:** The splice bar is located in one side of the split drapery track rails.

**NOTE:** Ensure that the tracks are aligned properly, that the belt is not wedged between the tracks, and that there is no gap between the tracks.

---

8. Tighten the screws in the splice bar using a Phillips screwdriver to secure the drapery tracks together. Do not overtighten.

## *Secure the Splice Bar*



## Install the Drapery Track

Use the following guidelines when installing the drapery track to the wall or ceiling.

- The brackets at each end must be located no more than 4 1/3 inches (110 mm) from either end of the drapery track.
- If no structural member is present at each end of the drapery track, an anchor suitable for the weight of the drapery, drapery track, and motor must be used.
- Each remaining bracket should be evenly spaced across the remainder of the drapery track.
- Heavier drapery panels may require additional brackets.
- Mounts should be placed 6 to 8 inches (153 to 204 mm) away from either side of a splice seam.

### Ceiling Mounting

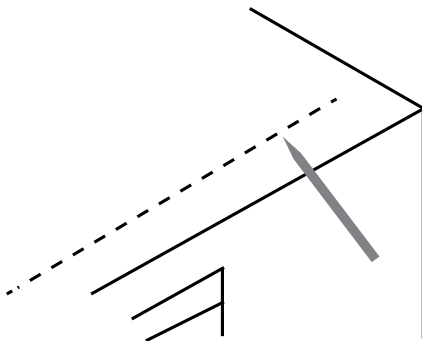
The drapery track can be mounted to a ceiling using cam lock mounting brackets, which have a handle that rotates to secure the track to the ceiling. The drapery track can also be mounted to a ceiling using one-touch mounting brackets that allow the track to easily snap into place.

Depending on the parts ordered, install the drapery track to the ceiling using the appropriate “Cam Lock Mounting Brackets” or “One-Touch Mounting Brackets” section that follows.

#### Cam Lock Mounting Brackets

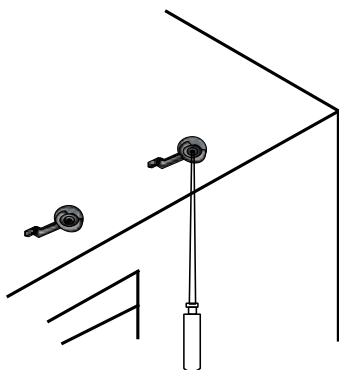
1. Hold the drapery track in the approximate mounting location and check for proper fit. Ensure that the mounting points are straight and level and mark the locations of the brackets. It is not always practical to hold the track in the mounting location, especially if the tracks are large or curved. It would be better to re-measure the mounting location to confirm that the track was correctly ordered and then measure the track to make sure it was manufactured as ordered.

*Mark the Cam Lock Mounting Bracket’s Mounting Location*



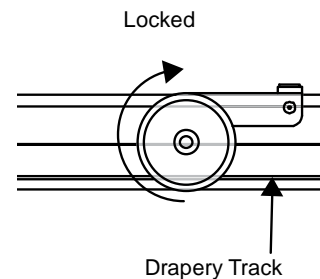
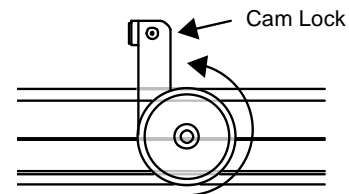
2. Fasten the brackets using hardware appropriate for the mounting surface.

*Mount the Brackets*

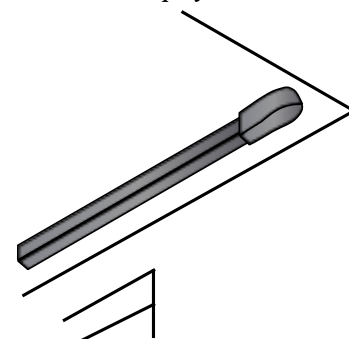


3. Attach the drapery track to the brackets.
  - a. Press the drapery track rail into the cam lock mounting bracket.
  - b. Rotate the brackets to lock the track into place. The cam lock should be rotated so that the tab closes on the back of the track.

*Operating the Cam Lock Mounting Brackets*  
Unlocked



*Mount the Drapery Track*



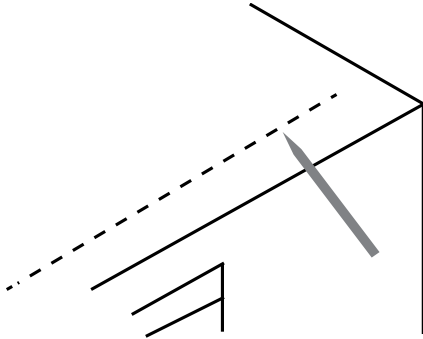
**NOTE:** To remove the drapery track rail from the cam lock mounting brackets, hold the drapery track rail and rotate the cam lock mounting brackets. The drapery track rail releases from the cam lock mounting brackets.

#### One-Touch Mounting Brackets

1. Hold the drapery track in the approximate mounting location and check for proper fit. Ensure that the mounting points are straight and level and mark the locations of the brackets. It is not always practical to hold the track in the mounting location, especially if the tracks are

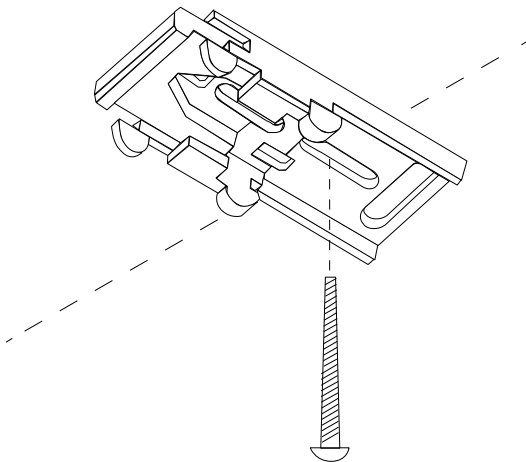
large or curved. It would be better to re-measure the mounting location to confirm that the track was correctly ordered and then measure the track to make sure it was manufactured as ordered.

### *Mark the One-Touch Mounting Bracket's Mounting Location*



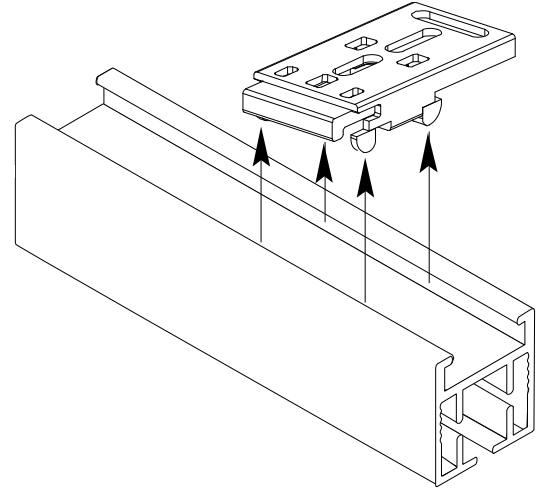
2. Fasten the brackets using hardware appropriate for the mounting surface.

### *Mount the One-Touch Mounting Brackets*



3. Press the drapery track onto the one-touch mounting brackets until the drapery track snaps onto the brackets. Verify that the track snapped onto all supplied brackets.

### *Attach the Drapery Track to the Wall Mount Brackets Using the One-Touch Mounting Brackets*



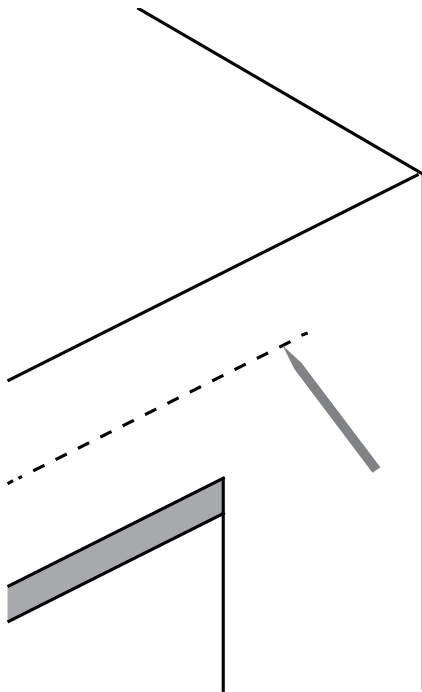
**NOTE:** To remove the drapery track rail from the one-touch mounting brackets, hold the drapery track rail and press the front of the one-touch mounting brackets. The brackets retract and the drapery track rail releases from the one-touch mounting brackets.

## Wall Mounting

The drapery track can be mounted to a wall using adjustable “L” shaped mounting brackets. The drapery track attaches to the “L” brackets using either one-touch mounting brackets or cam lock mounting brackets.

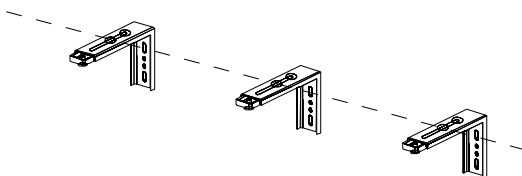
1. Hold the drapery track in the approximate mounting location and check for proper fit. Ensure that the mounting points are straight and level and mark the locations of the brackets. It is not always practical to hold the track in the mounting location, especially larger tracks and curved tracks. It would be better to re-measure the mounting location to confirm that the track was correctly ordered and then measure the track to make sure it was manufactured as ordered.

*Mark the "L" Bracket's Mounting Location*



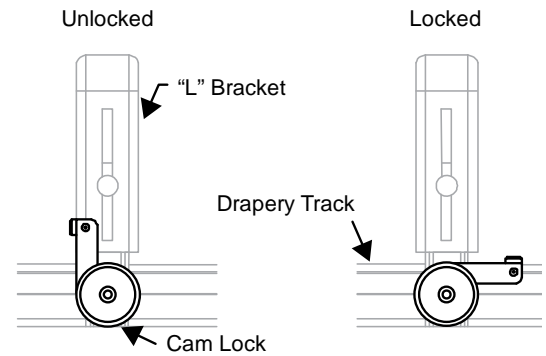
2. Fasten the "L" brackets using hardware appropriate for the mounting surface.

*Mount the "L" Brackets*



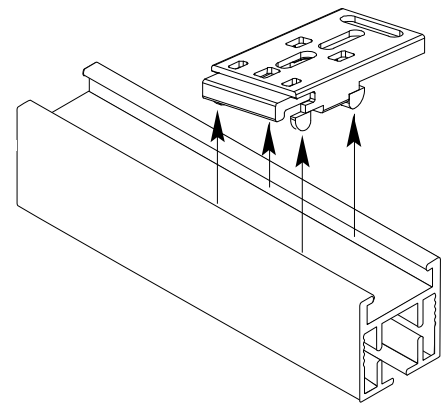
3. Remove the screw(s) from the end of the "L" brackets and reuse them to attach either the cam lock mounting brackets or the one-touch mounting brackets to the "L" brackets. Repeat this for all supplied "L" brackets.
4. Attach the drapery track to the wall mount brackets using either the cam lock mounting brackets or the one-touch mounting brackets.
  - For cam lock mounting brackets, press the drapery track onto the cam lock mounting brackets and then rotate the cam lock mounting brackets to lock the track into place. The cam lock should be rotated so that the tab closes on the back of the track.

*Attach the Drapery Track to the "L" Brackets Using the Cam Lock Mounting Brackets*



- For one-touch mounting brackets, press the drapery track onto the one-touch mounting brackets until the drapery track snaps onto the brackets. Verify that the track snapped onto all supplied brackets.

*Attach the Drapery Track to the "L" Brackets using the One-Touch Mounting Brackets*



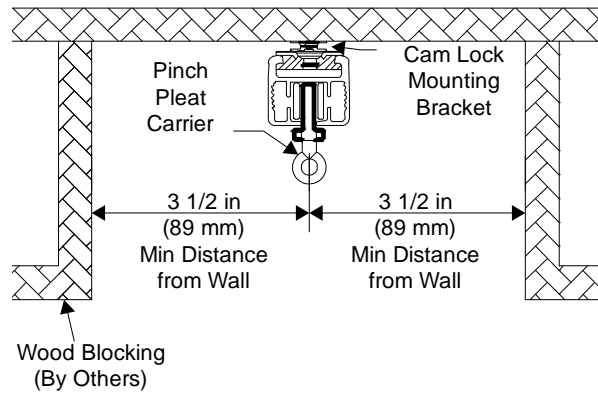
**Pocket Mounting**

The drapery track can be pocket mounted to conceal the motor, rail, and other hardware. After a pocket has been constructed, follow the instructions in "Ceiling Mount" on page 2.

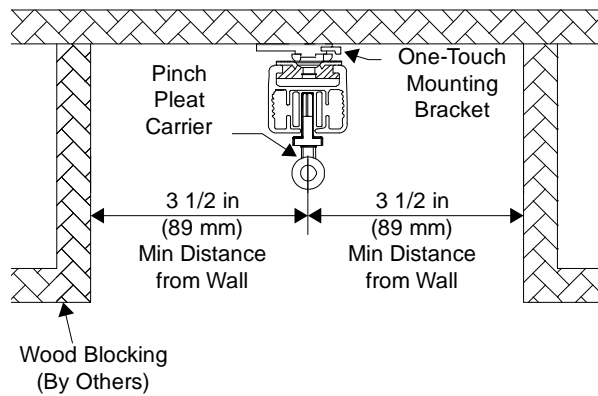
Refer to the following images for guidelines on building a pocket for the drapery track.

**NOTE:** Actual spacing may vary depending on the selected pleating system and drapery fabrics.

## Pocket Mount Using Cam Lock Mounting Brackets



## Pocket Mount Using One-Touch Mounting Brackets



## Install the Motor

The QMT™ drapery track motor must be attached to the drive pulley and its cords must be routed before operation.

## Route the Cords

If necessary, the cords can be routed through the motor assembly to ensure they are concealed. Refer to the following procedure to route the cords.

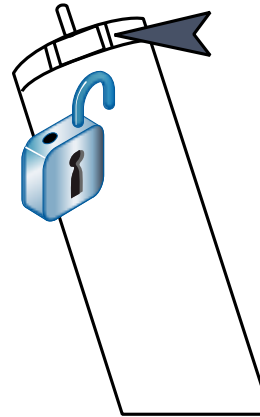
1. Remove the bottom of the motor.
2. Remove the wire cover by sliding it through the bottom of the motor.
3. Route the Cresnet® cable (Cresnet units only) and power cord through the bottom or top of the motor. The power cord can also be routed through the pulley on the top of the assembly when the drapery track is wall mounted.
4. Reassemble the motor assembly once the power cord has been properly routed through the motor.

## Attach the Motor

The motor attaches to the drive pulley at the end of the drapery track rail. To attach to the motor, complete the following procedure.

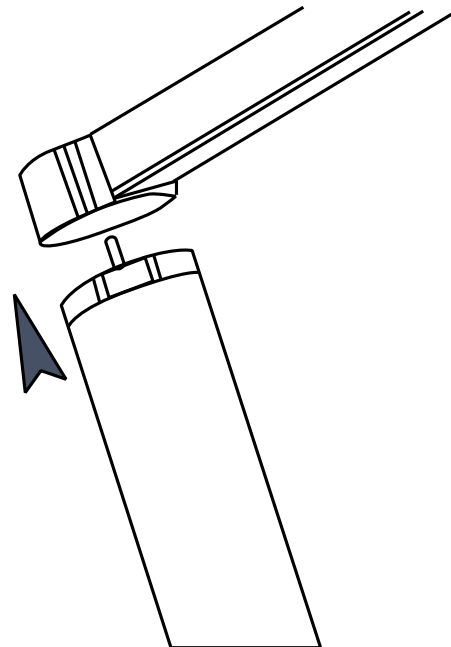
1. Unlock the motor using the lever on the top of the motor.

*Unlock the Motor Assembly Before Installation*



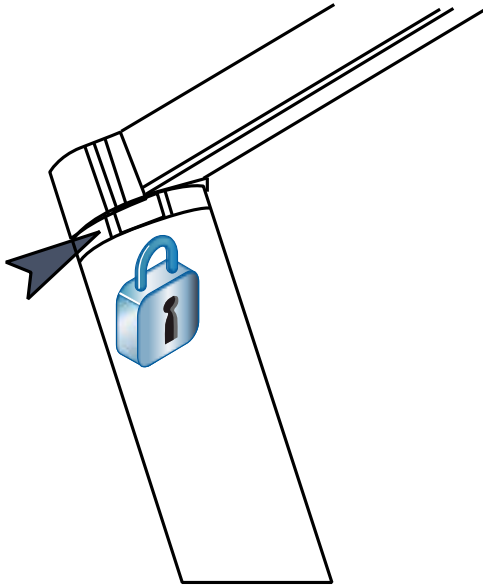
2. Insert the motor shaft into the drive pulley hole.

*Install the Motor into the Drive Pulley*



3. Lock the motor by reversing the direction of the lever on the top of the motor.

*Lock the Motor Assembly to the Drive Pulley*



---

## Wiring

Connect the 3-prong plug from the drapery controller to a standard 120 Vac power outlet.

If connecting via Cresnet, make the Y Z G connection at the bottom of the motor. The bottom of the motor must be removed to gain access to the port.

---

**NOTE:** Strip the ends of the wires approximately 1/4 inch (6 mm). Use care to avoid nicking the conductors. Twist together the ends of the wires that share a connection. Apply solder only to the ends of the twisted wires. Avoid tinning too far up the wires or the end becomes brittle.

---

---

## Programming and Setup

Before the drapery track can be operated, the device must be programmed and set up. For information on programming and setup of this device, refer to the Crestron Drapery Track Programming and Setup Guide (Doc. 7378) at [www.crestron.com/manuals](http://www.crestron.com/manuals).

The product warranty can be found at [www.crestron.com/warranty](http://www.crestron.com/warranty).

The specific patents that cover Crestron products are listed at [patents.crestron.com](http://patents.crestron.com).

Crestron, the Crestron logo, Cresnet, and QMT are either trademarks or registered trademarks of Crestron Electronics, Inc. in the United States and/or other countries. Other trademarks, registered trademarks, and trade names may be used in this document to refer to either the entities claiming the marks and names or their products. Crestron disclaims any proprietary interest in the marks and names of others. Crestron is not responsible for errors in typography or photography.

This document was written by the Technical Publications department at Crestron.  
©2015 Crestron Electronics, Inc.

This page is intentionally left blank.