

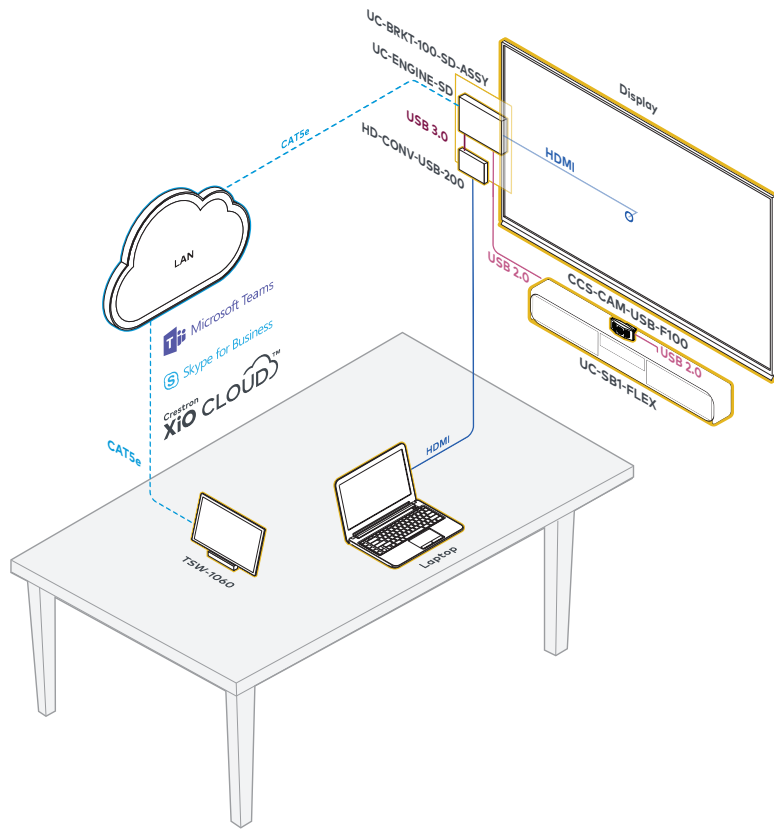
UC-B130-T

Crestron Flex Wall Mount UC Video Conference System for Microsoft Teams® Rooms

The Crestron® UC-B130-T Wall Mount UC Video Conference System for Microsoft Teams® software delivers a powerful, professional solution for knowledge workers who want the Microsoft Teams software experience in small to midsize meeting spaces and conference rooms. It includes the UC-SB1-FLEX UC smart soundbar and a CCS-CAM-USB-F-100 Logitech® Webcam C930e for full-duplex wideband audio and HD video, a UC-BRKT-100-SD-ASSY for ease of installation, and a TSW-1060-B-S touch screen for system control.

To use the UC-B130-T system you must have the following:

- A Microsoft Teams or Skype® for Business software account
- An environment running Microsoft Exchange Server® software (2013 SP1 or later for on-premises installation or Microsoft 365™ software for cloud) for scheduling and/or Skype for Business 2015 (on-premises installation or Microsoft 365 software for cloud)



Check the Box

| Item | Qty |
|--|-----|
| UC-B130-T | 1 |
| CBL-CAT5E-7, 7 ft (2.1 m) CAT5e Cable (P/N 6509924) | 2 |
| CCS-CAM-USB-F-100 Logitech® Webcam C930e (P/N 6506442) | 1 |
| PWE-4803RU PoE Injector (P/N 6502429) | 1 |
| TSW-1060-B-S 10.1 in. Touch Screen, Black Smooth (P/N 6507651) | 1 |
| TSW-1060-TTK-B-S Tabletop Kit for TSW-1060, Black Smooth (P/N 6507729) | 1 |
| UC-BRKT-100-SD ASSY Wall Bracket Assembly (includes HD-CONV-USB-200, UC-CONN-HD, and UC-ENGINE-SD, Power Cord, Connector Cover Screws with Tools, and Mounting Hardware) (P/N 6511033) | 1 |
| UC-SB1-FLEX UC Video Conference Smart Soundbar (P/N 6511045) | 1 |

Additional Requirements

The following items (not included) are required to build the system.

- A video display, to be connected to the UC-ENGINE-SD
- USB keyboard and mouse to configure the system

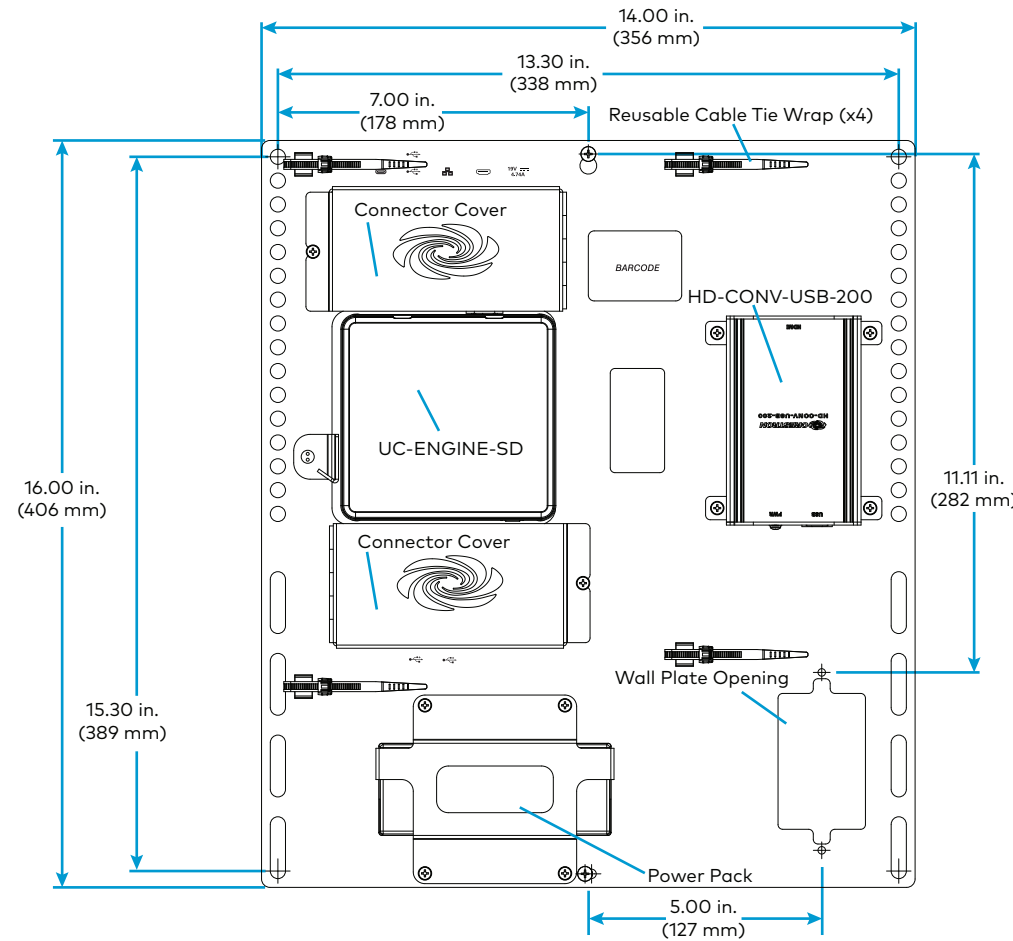
- HDMI® cable to connect a display device
- USB to HDMI adapter to connect the UC-ENGINE-SD USB port to the display device via HDMI
- HDMI cable to connect an HDMI source
- Ethernet cable to connect the PoE injector to the network
- #1 Phillips head screwdriver
- Drill with a 5/16 in. bit (required for use with mounting anchors)

NOTE: Crestron recommends using Crestron cables only. For optimum performance, Crestron offers the UC-B-ACCY KIT which includes all of the required hookup cables and a wireless keyboard with integrated touchpad.

Install the Wall Bracket Assembly

The wall bracket assembly can be installed on a wall behind a display device, or attached to the rear of the display device. The wall bracket assembly includes mounting slots on both side edges, spaced 100, 200, and 300 mm vertically, to allow for attachment to either side of the display mounting plate. Additional mounting holes are provided on each side for other mounting locations. Centerline mounting holes are also provided for attachment to the building structure. Integrated, reusable cable tie wraps manage cable runs between the wall bracket and peripheral devices.

Dimensions and Callouts

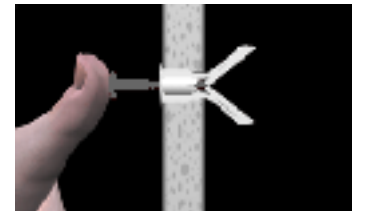


NOTES:

- The integrated cable tie wraps are reusable. Take care to avoid damage to the cable tie wraps.
- The wall bracket assembly has an opening and pass through screw holes for placement over a US electrical wall box that can be covered by a decorative wall plate. If the wall plate opening will be positioned over an electrical wall box, longer screws will be needed to secure the decorative wall plate to the electrical box. Do not secure the wall bracket assembly with the wall plate opening screws.

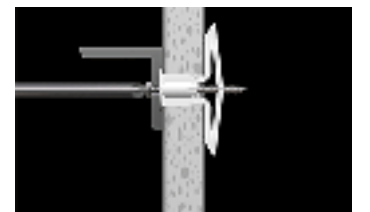
When mounting on a wall, the wall bracket assembly should be anchored to the wall. The screws and anchors included with the assembly are best suited for surfaces with 3/8 in. to 3/4 in. thickness. To use the included anchors, perform the following procedure.

1. Drill a 5/16 in. pilot hole.
2. Fold the anchor in the middle and pinch the ends together.
3. Insert the anchor in the hole and tap flush with the wall.
4. Insert the included anchor key to pop the anchor open and lock it.



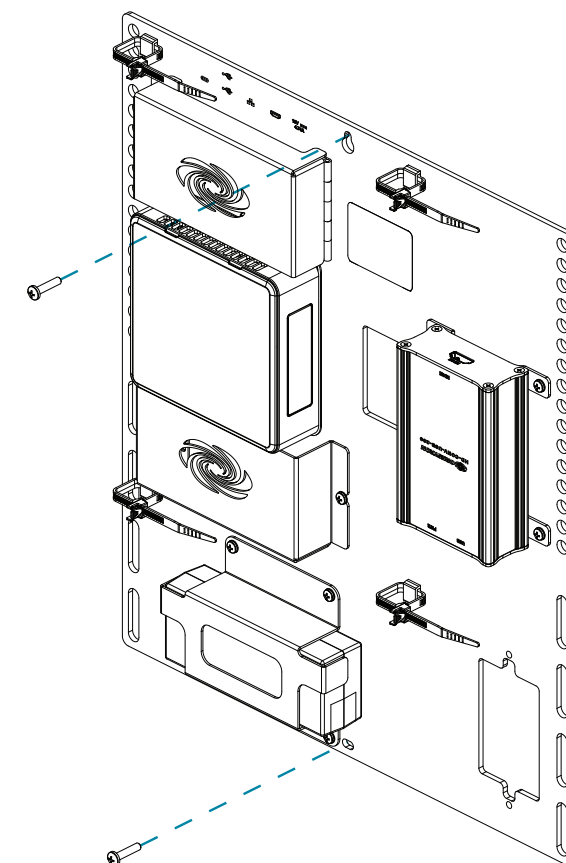
WARNING: Do not force or hammer the key.

5. Drive the screw partially into the anchor, leaving 1/4 in. of the screw exposed.



6. Repeat steps 1 - 5 for the other anchor.
7. Place the wall bracket assembly on the screws and hand tighten the screws until the wall bracket is secured to the wall.

Install the Wall Bracket Assembly On a Wall



Prepare for Hardware Hookup

On the wall bracket assembly, remove the connector covers located above and below the UC-ENGINE-SD to reveal the UC-ENGINE-SD's connectors.

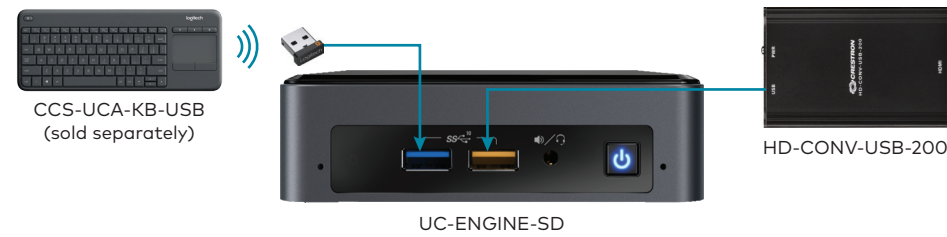
NOTE: Each connector cover is secured to the wall bracket with a 6-32 Phillips screw. Use a #1 Phillips screwdriver to remove or install the screws. For additional security, replace the screws with the spanner screws included with the UC-BRKT-100-SD-ASSY. A 1/4 in. driver bit is supplied to install the spanner screws.

Connect the System

UC-ENGINE-SD

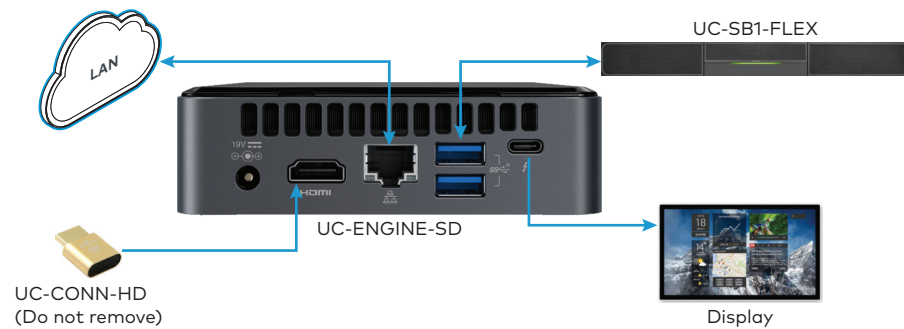
Connect the CCS-UCA-KB-USB (sold separately), UC-SB1-FLEX, display, and LAN to the UC-ENGINE-SD. Connections are made to the top and bottom of the UC-ENGINE-SD.

UC-ENGINE-SD, Bottom (as mounted)



- **Keyboard:** Connect the USB dongle (supplied with CCS-UCA-KB-USB) to a USB port on the UC-ENGINE-SD for local keyboard and mouse control.
- **HD-CONV-USB-200:** The HD-CONV-USB-200 is already installed on the wall bracket assembly and connected to the UC-ENGINE-SD.

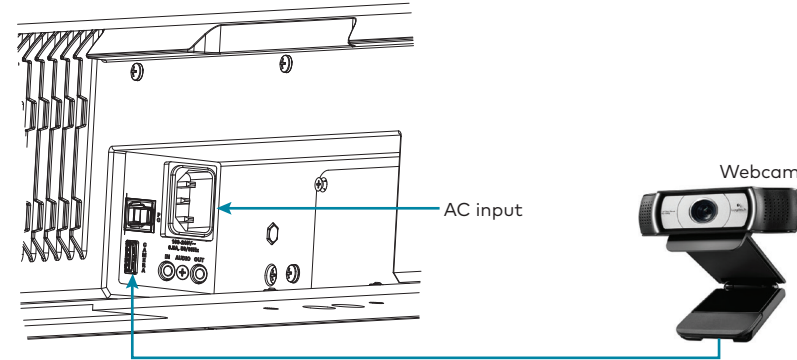
UC-ENGINE-SD, Top (as mounted)



- **LAN:** Connect the CBL-CAT5E-7 cable to the Ethernet port on the UC-ENGINE-SD and to the corporate LAN.
NOTE: The UC-ENGINE-SD and PWE-4803RU (connected to the TSW-1060-B-S) must be on the same network switch.
- **Display:** Connect an HDMI cable (sold separately) to the USB-C port on the UC-ENGINE-SD HDMI port (via a CBL-USBC-HD-9 sold as part of UC-B-ACCY KIT) and to the display.
- **UC-SB1-FLEX:** Connect the UC-SB1-FLEX to the PC port on the UC-ENGINE-SD and the PC port on the UC-SB1-FLEX with the USB cable that is included with the UC-SB1-FLEX.
- **UC-CONN-HD:** The UC-CONN-HD is already connected to the HDMI port on the UC-ENGINE-SD. **Do not remove the UC-CONN-HD.**

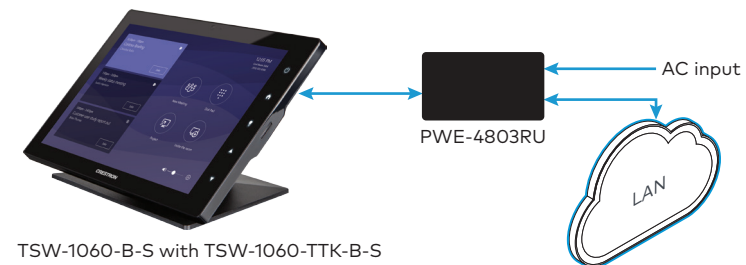
UC-SB1-FLEX

UC-SB1-FLEX Rear Panel



- **Webcam:** Connect the webcam to the CAMERA port on the UC-SB1-FLEX.
- **AC Power:** Connect the AC power cord to the UC-SB1-FLEX AC input and an AC receptacle.

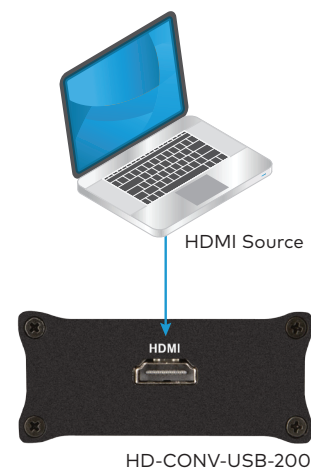
TSW-1060-B-S



TSW-1060-B-S with TSW-1060-TTK-B-S

- **LAN PoE:** Connect the Ethernet cable included with the PWE-4803RU to the LAN PoE port on the TSW-1060-B-S and the LAN PoE port on the PWE-4803RU.
- **LAN:** Connect a CBL-CAT5E-7 cable to the LAN port on the PWE-4803RU and to the corporate LAN.
NOTE: The PWE-4803RU and UC-ENGINE-SD must be on the same network switch.
- **AC Power:** Connect the AC power cord on the PWE-4803RU to an AC receptacle.

HD-CONV-USB-200



The HD-CONV-USB-200 is already installed on the wall bracket assembly and connected to the UC-ENGINE-SD. Connect an HDMI source to the HDMI port on the HD-CONV-USB-200 with an HDMI cable (sold separately).

Complete the Installation

1. Bundle the cables with the integrated cable tie wraps. The cable tie wraps are reusable.
2. Secure the connector covers with the spanner screws or the Phillips screws removed earlier from the wall bracket assembly.
3. Connect the wall bracket assembly's power pack cord to a wall outlet.

Apply Power

When all connections are made, press the power button on the bottom of the UC-ENGINE-SD and apply power to all of the other devices in the system. The touch screen will start and show its IP address.

Configure the System

Configure the Touch Screen

1. Tap **Touch Here to Enable a Specific Application** on the bottom of the screen. A list of applications is displayed.
2. Tap **Teams Video**, and then tap **Confirm**. The touch screen will reboot.
3. On a computer, open a web browser to the IP address of the TSW-1060-B-S. Log in and navigate to **Settings > Applications**.

NOTES:

- The TSW-1060-B-S (via PWE-4803RU) and computer must be on the same network switch.
 - A login with administrative rights for the TSW-1060-B-S may be required.
4. Enter the following information in the appropriate fields:
 - **Teams Video PC Address:** Enter the IP address or hostname of the UC-ENGINE-SD.
NOTE: The hostname is printed on a label affixed to the UC-ENGINE-SD (mounted on the UC-BRKT-100-SD-ASSY).
 - **Teams Video PC Port:** By default, port number 49500 is used. If a different port number has been configured on the UC-ENGINE-SD, enter that port number instead.
 - **Teams Video Username:** Enter the login username for the UC-ENGINE-SD. (The default username is "admin".)
 - **Teams Video Password:** Enter the login password for the UC-ENGINE-SD. (The default password is "sfb".)
 5. Click **Save Changes**.

For details, refer to the TSW-560/TSW-760/TSW-1060 Supplemental Guide (Doc. 7927) at www.crestron.com/manuals.

Configure the UC-ENGINE-SD

Use the CCS-UCA-KB-USB keyboard (sold separately) and your Microsoft Teams or Skype account credentials to configure the UC-ENGINE-SD. Refer to the UC Video Conference Systems for Microsoft Teams Supplemental Guide (Doc. 8360) at www.crestron.com/manuals.

Additional Information

Scan or click the QR code for detailed product information.



UC-B130-T
HDMI

Compliance and Legal

Original Instructions: The U.S. English version of this document is the original instructions. All other languages are a translation of the original instructions.

The product warranty can be found at www.crestron.com/warranty.

The specific patents that cover Crestron products are listed at www.crestron.com/legal/patents.

Certain Crestron products contain open source software. For specific information, please visit www.crestron.com/opensource.

Crestron, the Crestron logo, and Crestron XiO Cloud are either trademarks or registered trademarks of Crestron Electronics, Inc. in the United States and/or other countries. HDMI and the HDMI logo are either trademarks or registered trademarks of HDMI Licensing LLC in the United States and/or other countries. Logitech is either a trademark or registered trademark of Logitech, Inc. in the United States and/or other countries. Microsoft 365, Microsoft Exchange Server, Microsoft Teams, and Skype are either trademarks or registered trademarks of Microsoft Corporation in the United States and/or other countries. Other trademarks, registered trademarks, and trade names may be used in this document to refer to either the entities claiming the marks and names or their products. Crestron disclaims any proprietary interest in the marks and names of others. Crestron is not responsible for errors in typography or photography.

©2019 Crestron Electronics, Inc.

Crestron Electronics, Inc.
15 Volvo Drive, Rockleigh, NJ 07647
Tel: 888.CRESTRON
Fax: 201.767.7576
www.crestron.com

Quick Start - Doc. 8462D
(2053757)
06/17/19
Specifications subject to
change without notice.