

AIR_IGS82T

Air® Dual 8" In-Ground Subwoofer

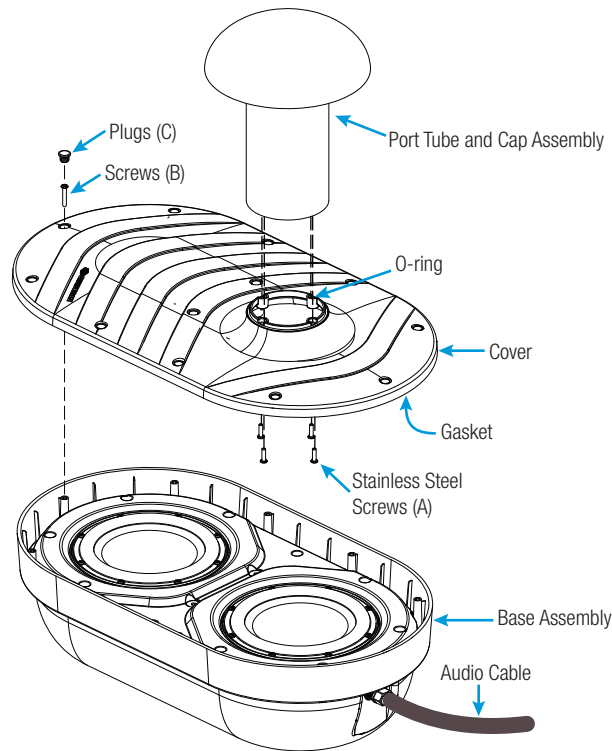
DO Assemble the Speaker

Refer to the illustration of the Crestron® Air® Dual 8" In-Ground Subwoofer that follows these procedures for details on assembling the speaker:

1. Place the supplied O-ring in position on the top of the cover.
2. Using a Phillips screwdriver, attach the port tube and cap assembly to the top of the cover with the four stainless steel screws (A) supplied. Apply even, hand-tight pressure to compress the O-ring at the port tube base.
3. Ensure that the gasket is securely in position on the underside of the cover (the rounded side toward the top of the cover). Place the cover on the speaker base assembly, and attach it using the 12 screws (B) supplied. Torque the screws to a maximum of 19 ft-lbf (25.76 nm).

CAUTION: If the screws are over-torqued, they may strip the threads of the plastic housing, and the water-tight integrity of the unit may be compromised.

NOTE: Do not insert the plugs (C) at this time.

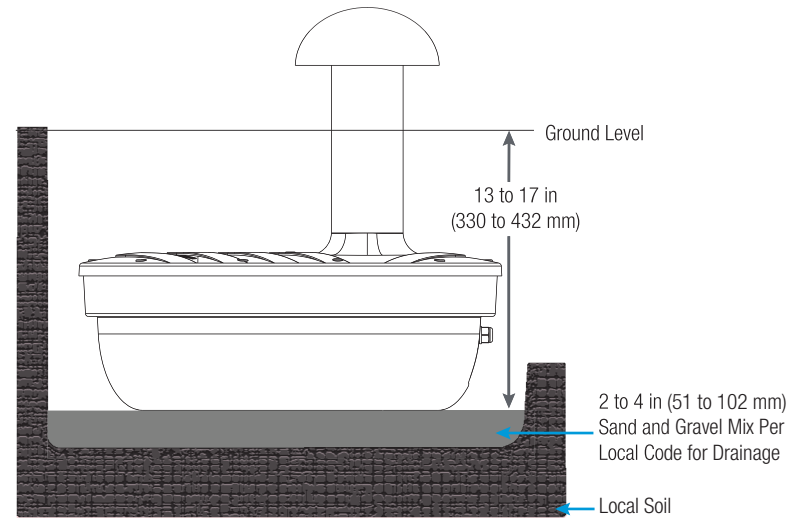


DO Check the Box

QTY	PRODUCT	PART NUM.
12	Screws	N/A
12	Plugs	N/A
4	Screws	N/A
1	O-ring	N/A
1	Gasket	N/A
5	Waterproof Wire Nuts	N/A

DO Prepare the Site

1. Dig a hole to bury the speaker. Refer to the illustration that follows for details. Choose a location that will not flood with standing water and where the tube and cap assembly will not be affected by an in-ground sprinkler system. The installation must comply with all national and local codes.



NOTE: The hole must be deep enough to allow a 2 to 4 in (51 to 102 mm) layer of drainage material (sand and gravel mix or other material approved by local codes) and position the base of the speaker 13 to 17 in (330 to 432 mm) below ground level.

2. Run the cable from the audio source to a listed and acceptable junction box at the speaker location while observing all local codes. If the cable is to be run underground, it is advisable to run it through PVC pipe.

NOTE: The cable exiting the speaker is approximately 3 ft (1 m) long. Ensure that the junction box is close enough for the speaker cable to reach inside.

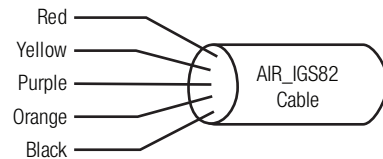


DO Install the Speaker

CAUTION: Do not connect the audio source to ac power until all speaker connections are completed.

1. Use the supplied waterproof wire nuts to connect the speaker wires to the audio source cable as shown in the hookup table and diagram below. Also, use the waterproof wire nuts to terminate any loose (unconnected) wires.

Input Type	Input+	Input -	Tie
Low Z, 8 Ohm	Red	Black	N/A
70 V, 75W	Purple	Black	Yellow to Red
70 V, 150 W	Orange	Black	Yellow to Red
100 V, 75 W	N/A	N/A	N/A
100 V, 150 W	Purple	Black	Yellow to Red



NOTE: Verify that the speaker operates properly prior to placing it in the ground. During this operation check, listen for sounds resembling air leaks around the speaker perimeter, which would indicate that the cover is not tight enough in those areas. Recheck the screw tightness in the areas where an air leak sound is heard.

2. Insert the 12 supplied plugs (labelled C in the assembly diagram on the previous page) securely into the screw holes.
3. Place the speaker in the hole and cover it using the soil removed earlier.

DO Learn More

Visit the website for additional information.

Crestron Electronics
15 Volvo Drive, Rockleigh, NJ 07647
888.CRESTRON | www.crestron.com



CE As of the date of manufacture, the product has been tested and found to comply with specifications for CE marking.

Federal Communications Commission (FCC) Compliance Statement

This device complies with part 15 of the FCC Rules. Operation is subject to the following conditions:

(1) This device may not cause harmful interference and (2) this device must accept any interference received, including interference that may cause undesired operation.

Caution: Changes or modifications not expressly approved by the manufacturer responsible for compliance could void the user's authority to operate the equipment.

Note: This equipment has been tested and found to comply with the limits for a Class B digital device, pursuant to part 15 of the FCC Rules. These limits are designed to provide reasonable protection against harmful interference in a residential installation. This equipment generates, uses and can radiate radio frequency energy and, if not installed and used in accordance with the instructions, may cause harmful interference to radio communications. However, there is no guarantee that interference will not occur in a particular installation.

If this equipment does cause harmful interference to radio or television reception, which can be determined by turning the equipment off and on, the user is encouraged to try to correct the interference by one or more of the following measures:

- Reorient or relocate the receiving antenna
- Increase the separation between the equipment and receiver
- Connect the equipment into an outlet on a circuit different from that to which the receiver is connected
- Consult the dealer or an experienced radio/TV technician for help

Industry Canada (IC) Compliance Statement

CAN ICES-3(B)/NMB-3(B)

The specific patents that cover Crestron products are listed at patents.crestron.com.

Product warranty can be found at www.crestron.com/warranty.

Crestron, the Crestron logo, and Air are either trademarks or registered trademarks of Crestron Electronics, Inc. in the United States and/or other countries. Other trademarks, registered trademarks, and trade names may be used in this document to refer to either the entities claiming the marks and names or their products. Crestron disclaims any proprietary interest in the marks and names of others. Crestron is not responsible for errors in typography or photography.

This document was written by the Technical Publications department at Crestron.

©2015 Crestron Electronics, Inc.