

HD-EXT-USB-2000-C

HDBaseT® Extender for 4K HDMI® and USB Transmission

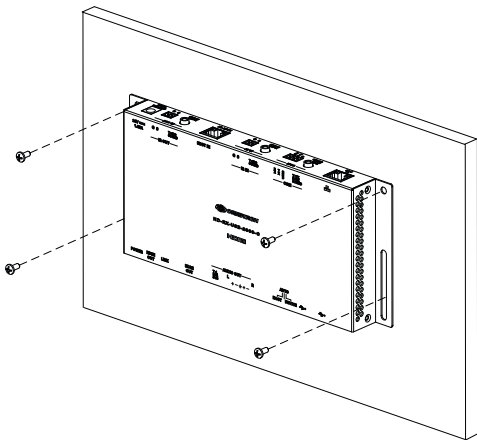
DO Install the Devices

The Crestron® HD-EXT-USB-2000-C consists of the HD-TX-USB-2000-C transmitter and the HD-RX-USB-2000-C receiver. The transmitter and receiver can be mounted onto a flat surface or rack rail.

Mounting onto a Flat Surface

Using four mounting screws (not included), mount the transmitter and receiver onto a flat surface such as a wall.

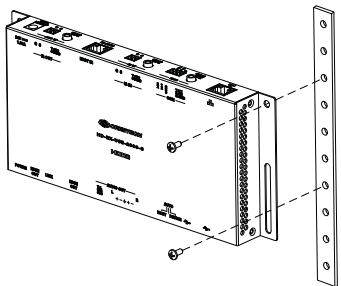
Mounting onto a Wall



Mounting onto a Rack Rail

The transmitter and receiver can be mounted onto the front or rear rail of a rack. Position either the left or the right mounting flange of the device so that the holes align with the holes in the rack. Then, secure the device to the rack using two mounting screws (not included).

Mounting onto a Rack Rail



DO Check the Box

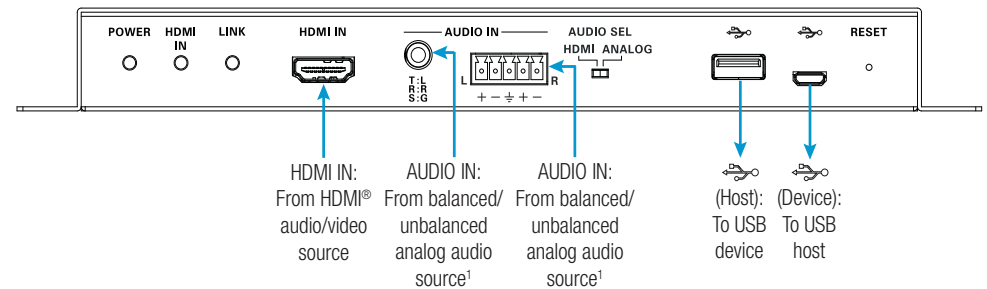
QTY	PRODUCT	PART NUM.
HD-TX-USB-2000-C		
2	Connector, 2-Pin	2049091
1	Connector, 3-Pin	2049092
1	Connector, 5-Pin	2049093
HD-RX-USB-2000-C		
2	Connector, 2-Pin	2049091
1	Connector, 3-Pin	2049092
1	Connector, 5-Pin	2049093
1	Power Pack, 24 VDC, 1.25 A, 100-240 VAC	2045870
Accessory		
1	CBL-USB-A-BMICRO-6, Cable, USB 2.0, A to Micro-B, Male, 6 ft	6510947

DO Connect the Devices

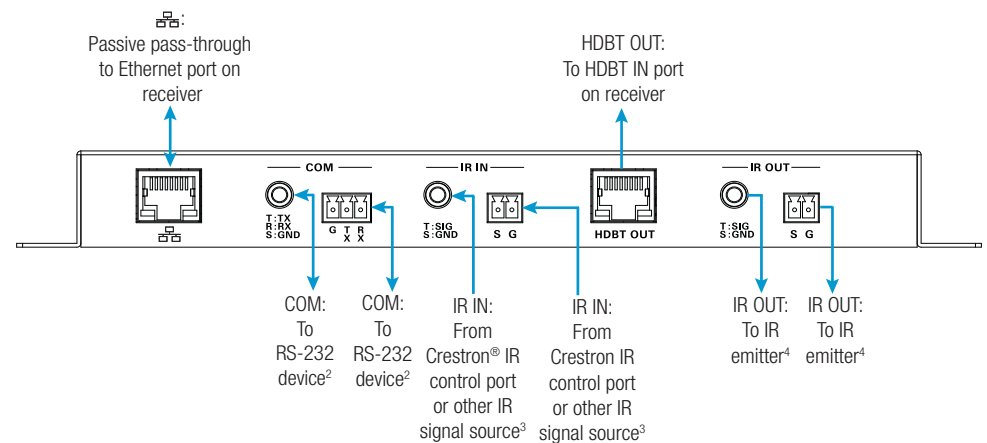
Connecting the Transmitter

Make connections to the front and rear panels of the transmitter as required.

Front Panel Connections



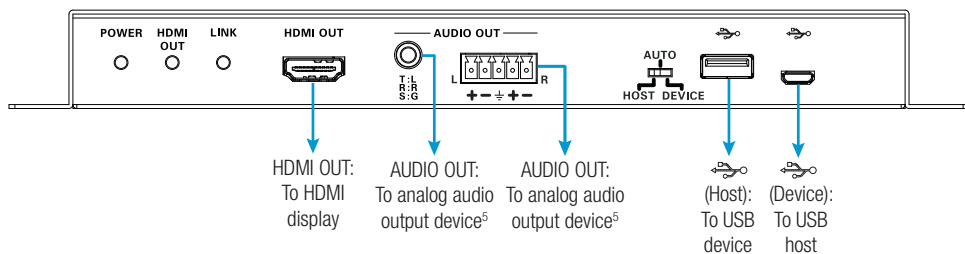
Rear Panel Connections



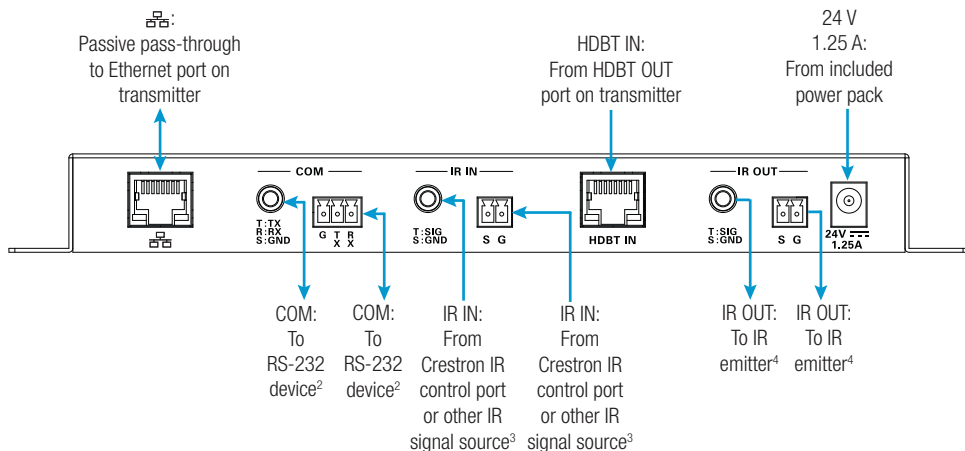
Connecting the Receiver

Make connections to the front and rear panels of the receiver as required.

Front Panel Connections



Rear Panel Connections



NOTE: Connection of the included power pack to the receiver powers both the receiver and the transmitter. Power is transmitted over the cable that connects the HDBT IN port of the receiver to the HDBT OUT port of the transmitter.

DO Select the USB Mode

The front panel of the receiver provides a three-position USB switch. Set the switch to one of the following positions:

- **AUTO:** (Default setting) Sets the USB mode to **HOST** or **DEVICE** based on the last device connected to either of the two USB ports on the receiver. If the last connected device is disconnected, the USB mode returns to the mode of the previously connected device.
- **HOST:** Sets the USB mode to **HOST**, which allows data to pass between the USB Type-A host port on the receiver and the USB Type micro-B device port on the transmitter. Connection to the USB Type micro-B device port on the receiver is ignored.
- **DEVICE:** Sets the USB mode to **DEVICE**, which allows data to pass between the USB Type micro-B device port on the receiver and the USB Type A host port on the transmitter. Connection to the USB Type A host port on the receiver is ignored.

NOTE: The USB mode of the transmitter is configured automatically to operate with the USB mode of the receiver.

DO Select the Audio Mode

The front panel of the transmitter provides a two-position audio selection switch. Set the switch to one of the following positions:

- **HDMI:** (Default setting) Uses audio embedded in the HDMI stream.
- **ANALOG:** Inserts analog audio into the video stream.

1. Only one AUDIO IN port at a time can be used—both ports cannot be used simultaneously.
2. Only one COM port at a time can be used—both ports cannot be used simultaneously.
3. Only one IR IN port at a time can be used—both ports cannot be used simultaneously. IR IN supports up to 60 kHz.
4. Only one IR OUT port at a time can be used—both ports cannot be used simultaneously. IR OUT supports up to 60 kHz.
5. Only one AUDIO OUT port at a time can be used—both ports cannot be used simultaneously.

DO Learn More

Visit the website for additional information and the latest firmware updates. To learn more about this product, use a QR reader application on your mobile device to scan the QR image.

Crestron Electronics
15 Volvo Drive, Rockleigh, NJ 07647
888.CRESTRON | www.crestron.com

HDMI



As of the date of manufacture, the product has been tested and found to comply with specifications for CE marking.



This product is Listed to applicable UL® Standards and requirements tested by Underwriters Laboratories Inc. Ce produit est homologué selon les normes et les exigences UL applicables par Underwriters Laboratories Inc.

This unit is for indoor use only. It is not intended for outdoor use.

Cet appareil est réservé à une utilisation en intérieur. Il n'est pas destiné à une utilisation en extérieur.

Federal Communications Commission (FCC) Compliance Statement

This device complies with part 15 of the FCC Rules. Operation is subject to the following two conditions:

(1) This device may not cause harmful interference, and (2) this device must accept any interference received, including interference that may cause undesired operation.

CAUTION: Changes or modifications not expressly approved by the manufacturer responsible for compliance could void the user's authority to operate the equipment.

NOTE: This equipment has been tested and found to comply with the limits for a Class B digital device, pursuant to part 15 of the FCC Rules. These limits are designed to provide reasonable protection against harmful interference in a residential installation. This equipment generates, uses and can radiate radio frequency energy and, if not installed and used in accordance with the instructions, may cause harmful interference to radio communications.

However, there is no guarantee that interference will not occur in a particular installation. If this equipment does cause harmful interference to radio or television reception, which can be determined by turning the equipment off and on, the user is encouraged to try to correct the interference by one or more of the following measures:

- Reorient or relocate the receiving antenna.
- Increase the separation between the equipment and receiver.
- Connect the equipment into an outlet on a circuit different from that to which the receiver is connected.
- Consult the dealer or an experienced radio/TV technician for help.

Industry Canada (IC) Compliance Statement

CAN ICES-3(B)/NMB-3(B).

The specific patents that cover Crestron products are listed at www.crestron.com/legal/patents.

The product warranty can be found at www.crestron.com/warranty.

Certain Crestron products contain open source software. For specific information, visit www.crestron.com/opensource.

Crestron and the Crestron logo are either trademarks or registered trademarks of Crestron Electronics, Inc. in the United States and/or other countries. HDBaseT is either a trademark or registered trademark of the HDBaseT Alliance in the United States and/or other countries. HDMI and the HDMI logo are either trademarks or registered trademarks of HDMI Licensing LLC in the United States and/or other countries. UL and the UL logo are either trademarks or registered trademarks of Underwriters Laboratories, Inc. in the United States and/or other countries. Other trademarks, registered trademarks, and trade names may be used in this document to refer to either the entities claiming the marks and names of their products. Crestron disclaims any proprietary interest in the marks and names of others. Crestron is not responsible for errors in typography or photography.

©2020 Crestron Electronics, Inc.