

## HD-MD6X2-4K-E/HD-MD4X2-4K-E/HD-MD4X1-4K-E 4K HDMI® Switchers

### DO Install the Device

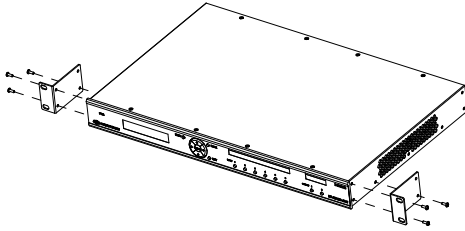
The Crestron® HD-MD6X2-4K-E can be mounted into a rack or placed onto a flat surface. The HD-MD4X2-4K-E and HD-MD4X1-4K-E can be mounted onto a flat surface or onto a rack rail.

#### Installing the HD-MD6X2-4K-E

##### Mounting into a Rack

The HD-MD6X2-4K-E occupies 1U of rack space. Using a #1 or #2 Phillips screwdriver, attach the two included rack ears to the device. Then, mount the device into the rack using four mounting screws (not included).

Attachment of Rack Ears to the HD-MD6X2-4K-E



##### Placing onto a Flat Surface

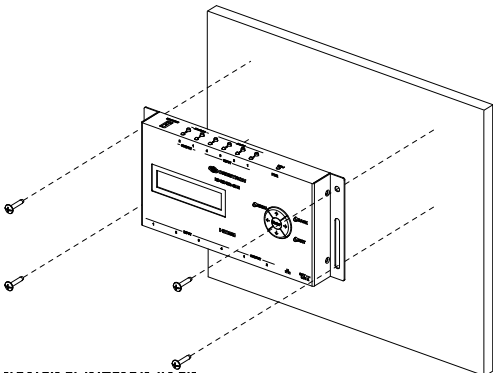
When placing the device onto a flat surface or stacking it with other equipment, attach the included feet near the corners on the underside of the device.

#### Installing the HD-MD4X2-4K-E and HD-MD4X1-4K-E

##### Mounting onto a Flat Surface

Using four mounting screws (not included), mount the device onto a flat surface such as a wall or the underside of a table.

Mounting onto a Wall



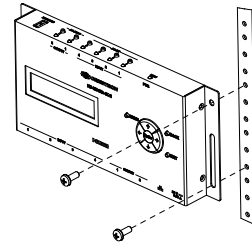
### DO Check the Box

QTY	PRODUCT	COLOR	PART NUM.
1	Power Pack, 24 Vdc 0.75A, 100-240 Vac		2045865
<b>HD-MD6X2-4K-E Only</b>			
4	Foot, 0.5" x 0.5" x 0.23", Rubber	Black	2044548
2	Bracket, Rack Ear, 1U		2032122

#### Mounting onto a Rack Rail

The HD-MD4X2-4K-E and HD-MD4X1-4K-E mount onto the front or rear rail of a rack. Position either the left or the right mounting flange of the device so that the holes align with the holes in the rack. Then, secure the device to the rack using two mounting screws (not included).

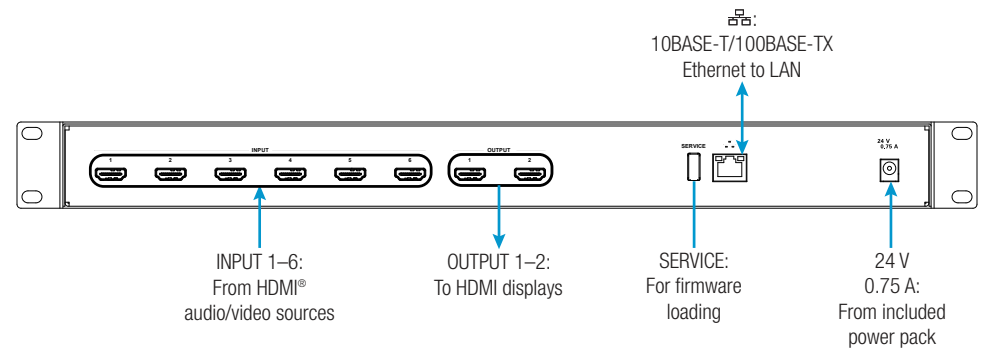
Mounting onto a Rack Rail

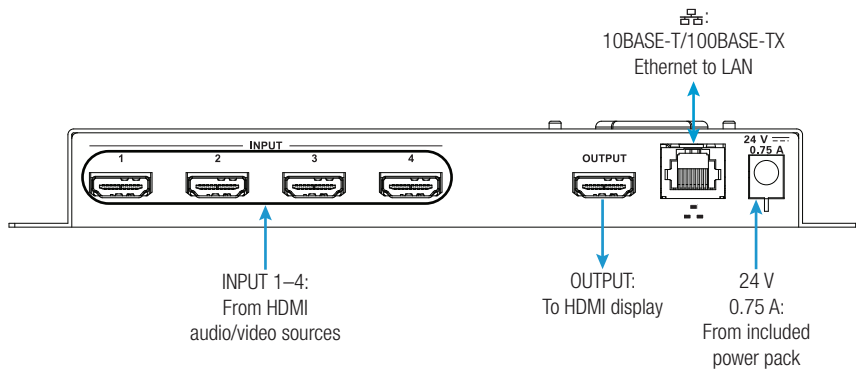
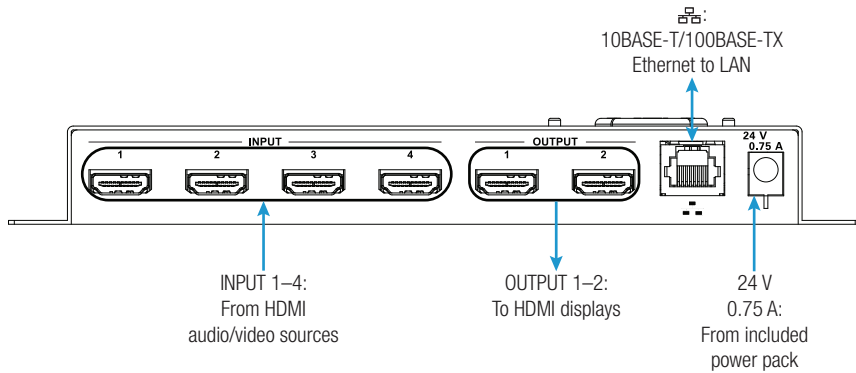


### DO Connect the Device

Connect the device as required for the application.

HD-MD6X2-4K-E Rear Panel Connections





## DO Configure the Device

Using the web interface, configure the device. To access the web interface, open a web browser and then go to the IP address of the device.

**NOTE:** By default, DHCP is enabled. After power is applied to the device, the IP address is shown on the front panel display.

To log in to the user interface, enter the user name and password. The default user name is *admin*, and the default password is *admin*. For more information, refer to the HD-MD6X2-4K-E/HD-MD4X2-4K-E/HD-MD4X1-4K-E Supplemental Guide (Doc. 7761) at [crestron.com/manuals](http://crestron.com/manuals).

## DO Learn More

Visit the website for additional information and the latest firmware updates. To learn more about these products, use a QR reader application on your mobile device to scan the QR image.

**Crestron Electronics**  
15 Volvo Drive, Rockleigh, NJ 07647  
888.CRESTRON | [www.crestron.com](http://www.crestron.com)



As of the date of manufacture, the product has been tested and found to comply with specifications for CE marking.



This product is Listed to applicable UL® Standards and requirements tested by Underwriters Laboratories Inc. Ce produit est homologué selon les normes et les exigences UL applicables par Underwriters Laboratories Inc.

### Federal Communications Commission (FCC) Compliance Statement

This device complies with part 15 of the FCC Rules. Operation is subject to the following two conditions: (1) This device may not cause harmful interference, and (2) this device must accept any interference received, including interference that may cause undesired operation.

**CAUTION:** Changes or modifications not expressly approved by the manufacturer responsible for compliance could void the user's authority to operate the equipment.

**NOTE:** This equipment has been tested and found to comply with the limits for a Class B digital device, pursuant to part 15 of the FCC Rules. These limits are designed to provide reasonable protection against harmful interference in a residential installation. This equipment generates, uses and can radiate radio frequency energy and, if not installed and used in accordance with the instructions, may cause harmful interference to radio communications. However, there is no guarantee that interference will not occur in a particular installation.

If this equipment does cause harmful interference to radio or television reception, which can be determined by turning the equipment off and on, the user is encouraged to try to correct the interference by one or more of the following measures:

- Reorient or relocate the receiving antenna.
- Increase the separation between the equipment and receiver.
- Connect the equipment into an outlet on a circuit different from that to which the receiver is connected.
- Consult the dealer or an experienced radio/TV technician for help.

### Industry Canada (IC) Compliance Statement

CAN ICES-3(B)/NMB-3(B)

### Rack Mounting Safety Precautions

- **Elevated Operating Ambient Temperature:** If installed in a closed or multi-unit rack assembly, the operating ambient temperature of the rack environment may be greater than room ambient temperature. Therefore, consideration should be given to installing the equipment in an environment compatible with the maximum ambient temperature (T<sub>ma</sub>) specified by the manufacturer.
- **Reduced Airflow:** Installation of the equipment in a rack should be such that the amount of airflow required for safe operation of the equipment is not compromised.
- **Mechanical Loading:** Mounting of the equipment in the rack should be such that a hazardous condition is not achieved due to uneven mechanical loading.
- **Circuit Overloading:** Consideration should be given to the connection of the equipment to the supply circuit and the effect that overloading of the circuits might have on overcurrent protection and supply wiring. Appropriate consideration of equipment nameplate ratings should be used when addressing this concern.
- **Reliable Earthing:** Reliable earthing of rack-mounted equipment should be maintained. Particular attention should be given to supply connections other than direct connections to the branch circuit (e.g., use of power strips).

The specific patents that cover Crestron products are listed at [patents.crestron.com](http://patents.crestron.com).

The product warranty can be found at [www.crestron.com/warranty](http://www.crestron.com/warranty).

Crestron and the Crestron logo are either trademarks or registered trademarks of Crestron Electronics, Inc. in the United States and/or other countries. HDMI and the HDMI logo are either trademarks or registered trademarks of HDMI Licensing LLC in the United States and/or other countries. UL and the UL logo are either trademarks or registered trademarks of Underwriters Laboratories, Inc. in the United States and/or other countries. Other trademarks, registered trademarks, and trade names may be used in this document to refer to either the entities claiming the marks and names or their products. Crestron disclaims any proprietary interest in the marks and names of others. Crestron is not responsible for errors in typography or photography.

This document was written by the Technical Publications department at Crestron.

©2017 Crestron Electronics, Inc.