

# UC-B31-Z-WM-INDIA

## Crestron Flex Small Room Conference System with Jabra® PanaCast® 50 Video Bar and Wall Mounted Control Interface for Zoom Rooms® Software, India



- *Front-of-room video conferencing solution for Zoom Rooms® software*
- *Native Zoom Rooms® touch screen UI provides a consistent, simple user experience with one-touch meeting joins*
- *Complete kit contains a 10.1 in. wall mount touch screen, Jabra® PanaCast® 50 video bar for Crestron Flex systems, UC bracket assembly, and PoE injector— just add a display and mount*
- *Easy to specify and install – no custom design, programming, or software installation required*
- *Network management and provisioning and system alerts through the XiO Cloud® service*
- *Premium-level support with Crestron Flex Care (optional)*
- *Enterprise-grade security - connects and communicates securely over any enterprise or SMB network*
- *Supports up to three video displays (not included)*

The UC-B31-Z-WM-INDIA Crestron Flex wall mount conferencing system provides a small room video conference solution for use with Zoom Rooms® software. It supports up to three video displays<sup>1</sup> (not included) and features a wall mount touch screen, Jabra® PanaCast® 50 video bar for Crestron Flex systems, UC bracket assembly, PoE injector, and cables.

### Native Zoom Rooms® Software Experience

The UC-B31-Z-WM-INDIA system features Zoom Rooms conferencing software that enables audio and video connectivity for easy collaboration and content sharing.

### Intuitive User Interface

With a large 10.1 in. (257 mm) capacitive touch screen display, the Crestron® wall mount touch screen ([TSW-1070](#)) provides superior conferencing control in meeting rooms, huddle spaces, and executive offices. The touch screen also offers optional control of room lighting, shades, thermostats, and other equipment.<sup>2</sup>

### Simplified Deployment

The UC Bracket Assembly provides preassembled components on one ready-to-mount bracket to simplify installation. The assembly can be mounted on a wall, or it can be attached to the rear of the display device.

### Wall Mount Options

Using the bracket provided, the touch screen is easily installed over a 2-gang or 3-gang US electrical box, or a 2-gang European or UK electrical box. A security latch option is included to deter unauthorized removal of the touch screen.

### High-Definition Video Conferencing with Impressive Audio

High-quality speakers and microphones deliver exceptional full-duplex performance from the Jabra PanaCast 50 video bar for Crestron Flex systems ([UC-SB-P50-INDIA](#)). Three built-in conferencing cameras capture the room in panoramic 4K resolution with a seamless 180° horizontal field of view.

Visit [jabra.com/panacast50](http://jabra.com/panacast50) for more information on the Jabra PanaCast 50 video bar for Crestron Flex systems.

### Enterprise-Grade Security

Crestron Flex is an enterprise-grade solution that is ideally equipped for mass deployment throughout any sized corporate, university, medical, military, or government facility.

### Easy Provisioning and Device Management

The XiO Cloud service is an IoT cloud-based provisioning service (available separately) that enables installers and IT managers to easily deploy and manage thousands of devices. The XiO Cloud service provides system alerts, network management and provisioning, and the pairing of a control device to the system's UC Engine. System updates are controlled by Windows® software update.

Visit [www.crestron.com/xiocloud](http://www.crestron.com/xiocloud) for additional information.

### Premium-Level Support

Crestron Flex Care is an optional subscription service that automatically renews annually, providing 24/7 live remote technical support, an extended five year warranty on Crestron® branded hardware, expedited advance replacements, and a discounted rate for on-site support.

Visit [www.crestron.com/flexcare](http://www.crestron.com/flexcare) for detailed terms and conditions and additional information.

# UC-B31-Z-WM-INDIA

## Crestron Flex Small Room Conference System with Jabra® PanaCast® 50 Video Bar and Wall Mounted Control Interface for Zoom Rooms® Software, India

### Deployment Resources

View the [Crestron Flex Pre-Deployment Checklist](#) to help plan your Crestron Flex installation.

## Specifications

### Included Components

<a href="#">TSW-1070-B-S</a>	10.1 in. (257 mm) wall mount touch screen, black
<a href="#">UC-BRKT-200-S-Z-ASSY</a>	UC Bracket Assembly comprised of: <ul style="list-style-type: none"><li>• UC Engine: Mini PC with Zoom Rooms video</li><li>• HDMI® to USB 3.0 converter for content ingest</li><li>• Mounting hardware</li></ul>
<a href="#">UC-SB-P50-INDIA</a>	Jabra PanaCast 50 video bar for Crestron Flex systems

### Wall Mount Touch Screen

<b>Touch Screen</b>	10.1 in. (257 mm) diagonal capacitive multi-touch TFT active matrix color LCD, 1920 x 1200 pixels
<b>UI</b>	Zoom Rooms UI plus optional Crestron Smart Graphics® room control UI <sup>2</sup>
<b>Ethernet</b>	100/1000 Mbps, auto switching, auto negotiating, auto discovery, full/half duplex, TCP/IP, UDP/IP, CIP, DHCP, SSL, TLS, SSH, SFTP (SSH File Transfer Protocol), IEEE 802.1X, SNMP, IPv4 or IPv6, Active Directory® service authentication, HTTPS web browser setup, XiO Cloud® client, IEEE 802.3at compliant
<b>Power over Ethernet</b>	IEEE 802.3at Type 2 compliant PoE+ PD (Powered Device); Normally requests 15 W from an 802.3at Type 2 PSE with LLDP advanced power management; With room scheduling and USB enabled, requests 18 W from an 802.3at Type 2 PSE with LLDP; Requests 30 W (PoE+ Class 4) from an 802.3at Type 2 PSE without LLDP; Requests 15.4 W (PoE Class 0) from an 802.3af (or 802.3at Type 1) PSE
<b>PoE Injector</b>	A PoE injector is included to power the touch screen if network PoE is not available

<b>Construction</b>	Plastic, smooth black finish, edge-to-edge glass with black surround
<b>Dimensions</b>	Height: 5.87 in. (149 mm) Width: 9.46 in. (240 mm) Depth: 2.01 in. (51 mm) Dimensions do not include mounting bracket or add-on accessories
<b>Weight</b>	1.61 lb (730 g)

### Jabra PanaCast 50 Video Bar for Crestron Flex Systems

<b>Speakers</b>	(4) speakers, stereo; 2 in. (50 mm) woofers; 2 x 3/4 in. (50 x 20 mm) tweeters; 80 Hz to 20 kHz frequency response; Automatic speaker detection
<b>Microphone</b>	(8) microphone beamforming array; -37 dBFS microphone sensitivity; 100 Hz to 8 kHz microphone frequency range; Suitable for rooms up to 15 x 15 ft (4.5 x 4.5 m)

**NOTE:** Microphone pickup range may vary in rooms with highly reflective infrastructure (e.g., glass walls, metal furniture, open ceilings, etc.) or above average ambient noise.

<b>Camera Optics</b>	(3) cameras; 13 Megapixels
<b>Camera Field of View</b>	180° horizontal, 54° vertical
<b>Autozoom</b>	Automatic digital zoom dynamically frames people within 11 ft (3.5 m)
<b>Camera Resolution</b>	3840 x 1080 @ 30 fps
<b>Power</b>	From external power pack; Input: 100-240VAC, 50/60 Hz; Output: 5A @ 12V
<b>Enclosure</b>	Black speaker and camera housing, rear air vents, integrated adjustable mounting bracket
<b>Mounting</b>	Wall mount using integrated mounting bracket; Optional table mount or VESA® compliant screen mount (both sold separately)
<b>Dimensions</b>	Height: 3.1 in. (90 mm) Width: 25.60 in. (650 mm) Depth: 4.90 in. (125 mm)
<b>Weight</b>	4.85 lb (2.2 kg)

# UC-B31-Z-WM-INDIA

## Crestron Flex Small Room Conference System with Jabra® PanaCast® 50 Video Bar and Wall Mounted Control Interface for Zoom Rooms® Software, India

For more information on the Jabra PanaCast 50 video bar for Crestron Flex systems, refer to [jabra.com/panacast50](https://jabra.com/panacast50).

### UC Bracket Assembly

<b>UC Engine</b>	Mini PC, Intel Core® processor with Windows® 10 IoT Edition OS and 100/1000 Mbps Ethernet connectivity
<b>UC Client</b>	Zoom Rooms software
<b>Management Client</b>	XiO Cloud Service
<b>Content Ingest</b>	HDMI input via HDMI to USB 3.0 converter
<b>Display Output</b>	Up to three displays support <sup>1</sup>
<b>Display Output Resolution</b>	1080p
<b>Power</b>	100-240VAC, 50/60 Hz adapter (included)
<b>Construction</b>	Metal mounting bracket, black, preassembled with UC Engine and HDMI to USB 3.0 converter
<b>Mounting</b>	Surface wall mount behind the display device, or attach to the rear of the display device via the bolts attaching the display to a VESA® compliant display mount; Bracket includes mounting holes on both side edges, spaced 100, 200, and 300 mm vertically, to allow for attachment to either side of the display mounting plate
<b>Dimensions</b>	Height: 15.00 in. (381 mm) Width: 14.50 in. (368 mm) Depth: 1.87 in. (48 mm) (UC Bracket Assembly with HD-CONV-USB-200) 1.93 in. (49 mm) (UC Bracket Assembly with HD-CONV-USB-300)
<b>Weight</b>	7.7 lb (3.5 kg) (UC Bracket Assembly with HD-CONV-USB-200) 7.95 lb (3.6 kg) (UC Bracket Assembly with HD-CONV-USB-300)

### Model

#### UC-B31-Z-WM-INDIA

Crestron Flex Small Room Conference System with Jabra® PanaCast® 50 Video Bar and Wall Mounted Control Interface for Zoom Rooms® Software, India

### Available Accessories

For a list of available accessories, visit the [UC-B31-Z-WM-INDIA](https://www.crestron.com/UC-B31-Z-WM-INDIA) product page.

#### Notes:

1. Display must support "Wake on Sync" and "Sleep on No Sync" functionality. Consult the display manufacturer's specifications or internal settings of the specific display.
2. Room control capability (lighting, shades, thermostats, etc.) requires additional equipment and commissioning to be provided by a Crestron authorized integrator and/or programmer. Additional costs may apply.

This product may be purchased from select authorized Crestron dealers and distributors. To find a dealer or distributor, please contact the Crestron sales representative for your area. A list of sales representatives is available online at [www.crestron.com/How-To-Buy/Find-a-Representative](https://www.crestron.com/How-To-Buy/Find-a-Representative) or contact us for additional information by visiting <https://www.crestron.com/contact/our-locations> for your local contact.

This product is covered under the Crestron standard limited warranty. Refer to [www.crestron.com/warranty](https://www.crestron.com/warranty) for full details.

The specific patents that cover Crestron products are listed online at [patents.crestron.com](https://patents.crestron.com).

Certain Crestron products contain open source software. For specific information, please visit [www.crestron.com/opensource](https://www.crestron.com/opensource).

Crestron, the Crestron logo, Smart Graphics, and XiO Cloud are either trademarks or registered trademarks of Crestron Electronics, Inc. in the United States and/or other countries. Jabra and PanaCast are trademarks of GN Audio A/S in the United States and/or other countries. HDMI is either a trademark or registered trademark of HDMI Licensing LLC in the United States and/or other countries. Intel Core is either a trademark or registered trademark of Intel Corporation in the United States and/or other countries. Active Directory and Windows are either trademarks or registered trademarks of Microsoft Corporation in the United States and/or other countries. VESA is either a trademark or registered trademark of Video Electronics Standards Association in the United States and/or other countries. Zoom Rooms is either a trademark or registered trademark of Zoom Video Communications, Inc. in the United States and/or other countries. Other trademarks, registered trademarks, and trade names may be used in this document to refer to either the entities claiming the marks and names or their products. Crestron disclaims any proprietary interest in the marks and names of others. Crestron is not responsible for errors in typography or photography.

Specifications are subject to change without notice.

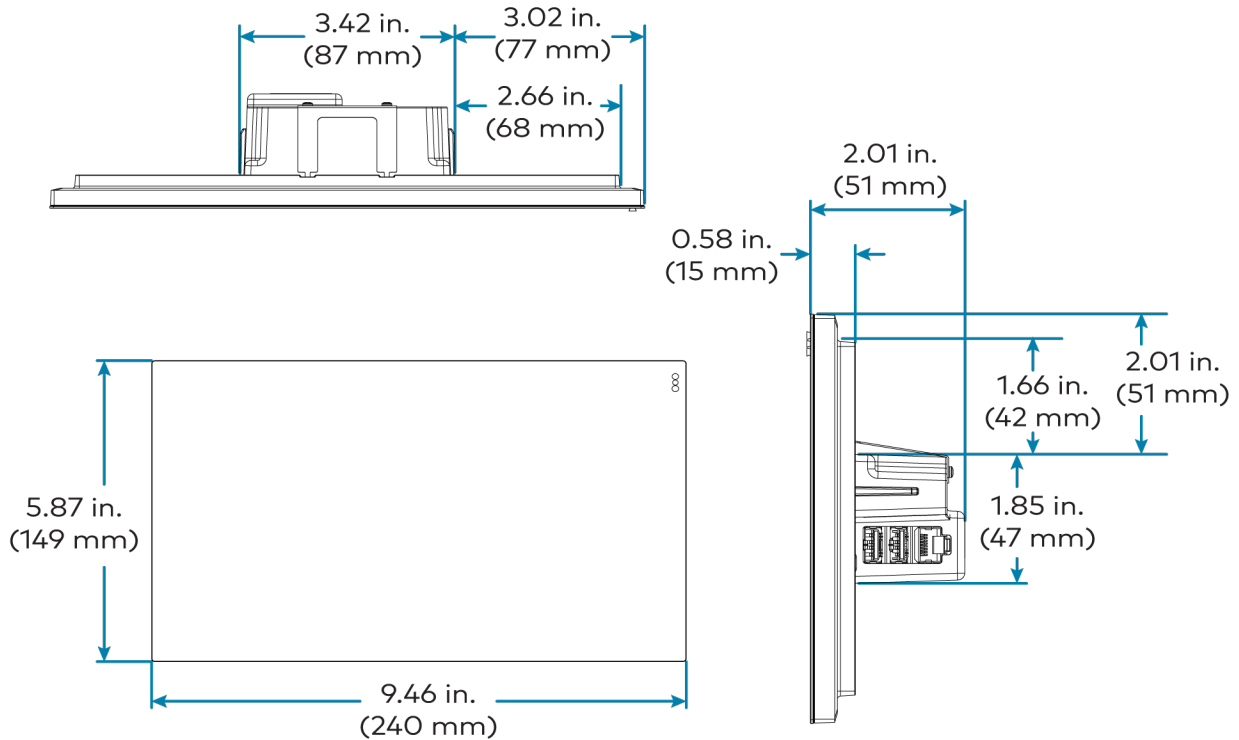
©2023 Crestron Electronics, Inc.

Rev 07/28/23

# UC-B31-Z-WM-INDIA

Crestron Flex Small Room Conference System with Jabra® PanaCast® 50 Video Bar and Wall Mounted Control Interface for Zoom Rooms® Software, India

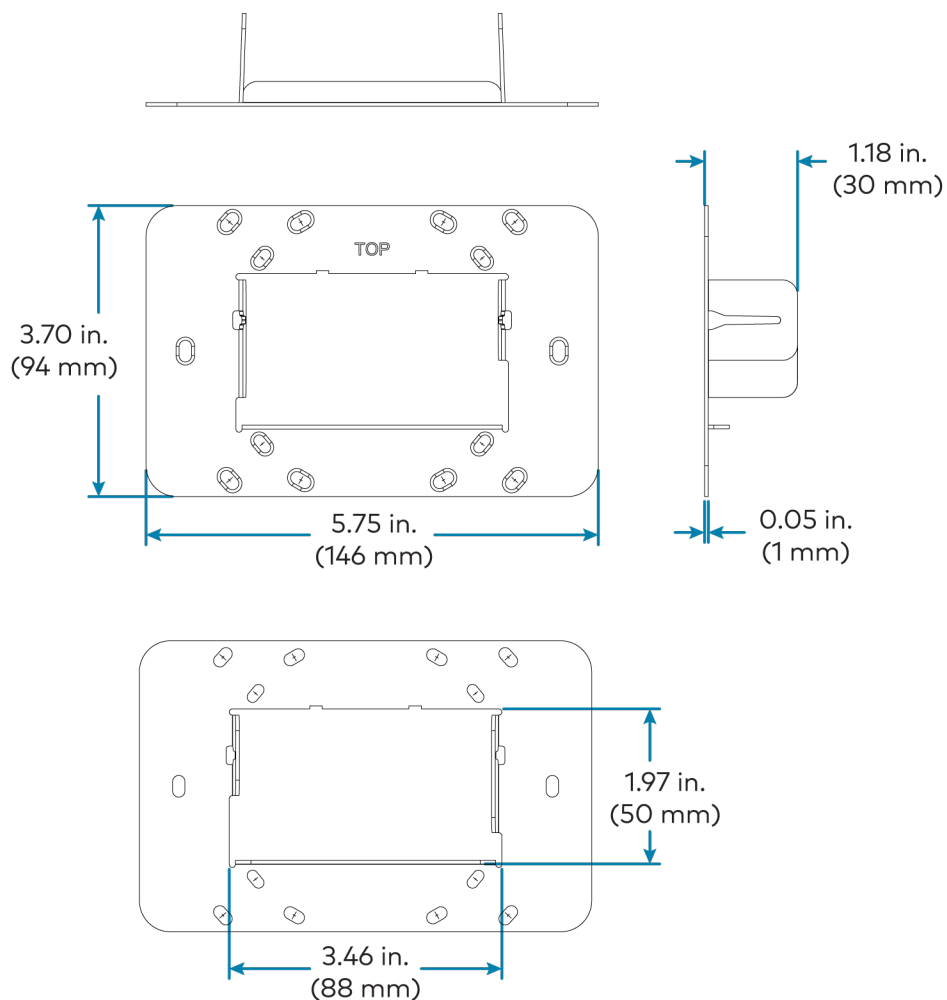
## Touch Screen (TSW-1070-B-S)



# UC-B31-Z-WM-INDIA

Crestron Flex Small Room Conference System with Jabra® PanaCast® 50 Video Bar and Wall Mounted Control Interface for Zoom Rooms® Software, India

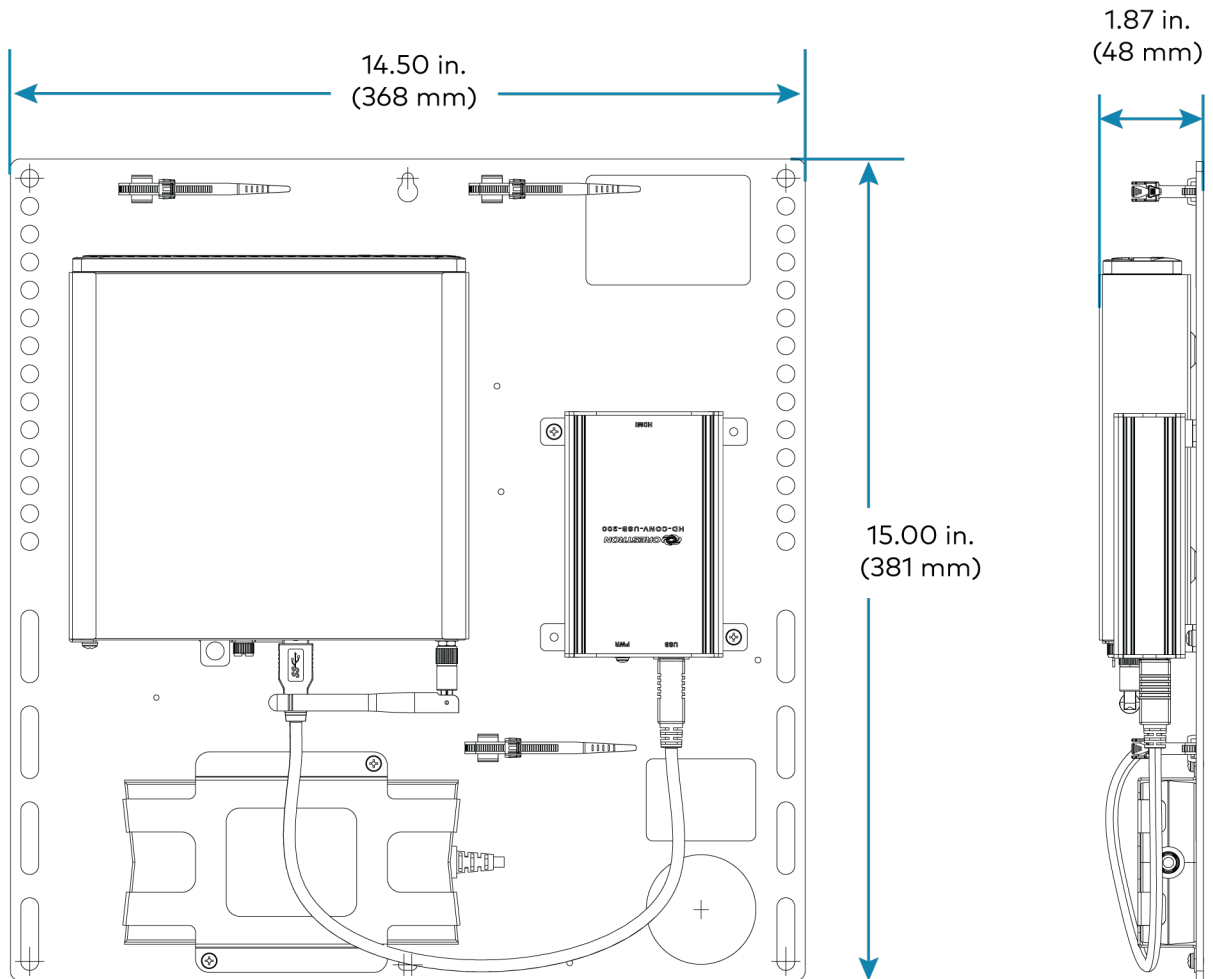
## TSW-1070 Mounting Bracket



# UC-B31-Z-WM-INDIA

Crestron Flex Small Room Conference System with Jabra® PanaCast® 50 Video Bar and Wall Mounted Control Interface for Zoom Rooms® Software, India

UC Bracket Assembly with HD-CONV-USB-200



# UC-B31-Z-WM-INDIA

Crestron Flex Small Room Conference System with Jabra® PanaCast® 50 Video Bar and Wall Mounted Control Interface for Zoom Rooms® Software, India

## UC Bracket Assembly with HD-CONV-USB-300

