

UC-M50-NC-T

Crestron Flex Tabletop Medium Room Conference System for Microsoft Teams® Rooms



- *Tabletop conferencing solution for a Microsoft Teams® Rooms environment*
- *Native Microsoft Teams® Rooms touch screen UI provides a consistent, simple user experience with one-touch meeting joins*
- *Complete kit contains a Crestron Flex tabletop conference device, UC bracket assembly, power supply, and cables — just add a display and mount*
- *Easy to specify and install — no custom design, programming, or software installation required*
- *Optional integration with Crestron® control systems*
- *Direct connection option between UC Engine and Crestron Flex tabletop conference device for simple installation and configuration*
- *Network management and provisioning, system alerts, and Crestron Flex tabletop conference device pairing to the system's UC Engine through the XiO Cloud® service*
- *Premium-level support with Crestron Flex Care (optional)*
- *Enterprise-grade security — connects and communicates securely over any enterprise or SMB (Server Message Block) network*
- *Supports single or dual video displays (not included)*

The UC-M50-NC-T Crestron Flex tabletop conferencing system provides a medium room conference solution for use with Microsoft Teams® Rooms software. It supports single or dual video displays¹ (not included) and features a Crestron Flex tabletop conference device, UC bracket assembly, power supply, and cables.

Native Microsoft Teams® Rooms Experience

The UC-M50-NC-T system brings the full Microsoft Teams Rooms UC experience to any meeting space in an enterprise or SMB facility.

Intuitive User Interface with Impressive Audio

With a large 7 in. HD color touch screen and an integrated AEC-enabled USB speakerphone that affords full-duplex wideband audio performance, the Crestron Flex Tabletop Conference device (CCS-UC-1-T-V) provides a superior conferencing and collaboration experience for meeting rooms, huddle spaces, and executive offices. The conference device also offers optional control of room lighting, shades, thermostats, and other equipment.²

Simplified Deployment

To simplify installation, the UC Bracket Assembly provides preassembled components on one ready-to-mount bracket. The bracket comes supplied with either a HD-CONV-USB 200 or HD-CONV-USB-300 convertor. The assembly can be mounted on a wall, or it can be attached to the rear of the display device. Crestron's direct connection method further simplifies installation with a single connection from the Crestron Flex tabletop conference device to the UC Bracket Assembly.³

High-Definition Video Conferencing

High-definition video conferencing is supported by using the following Crestron 1 Beyond cameras: [IV-CAM-P12-B](#), [IV-CAM-P12-W](#), [IV-CAM-P20-B](#), [IV-CAM-P20-W](#), [IV-CAM-I12-B](#), [IV-CAM-I20-B](#), and [IV-CAM-I20-W](#). Microsoft Teams certified third-party cameras are also compatible with the system.

Crestron Control System Integration

The UC-M50-NC-T integrates with a Crestron control system to enable touch screen control of room lighting, motorized window shades, climate control, AV, and other amenities.²

Enterprise-Grade Security

Crestron Flex is an enterprise-grade solution, engineered in partnership with Microsoft® to integrate seamlessly into any Microsoft Teams Rooms software deployment. Crestron Flex is equipped for mass deployment throughout any sized corporate, university, medical, military, or government facility.

Easy Provisioning and Device Management

The XiO Cloud® service is an IoT cloud-based provisioning service (available separately) that enables installers and IT managers to easily deploy and manage thousands of devices. The XiO Cloud service provides system alerts, network management and provisioning, and the pairing of a control device to the system's UC Engine. System updates are controlled by Windows® software update.

Visit www.crestron.com/xiocloud for additional information.

Premium-Level Support

Crestron Flex Care is an optional subscription service that automatically renews annually, providing 24/7 live remote technical support, an extended five year warranty on Crestron® branded hardware, expedited advance replacements, and a discounted rate for onsite support.

UC-M50-NC-T

Crestron Flex Tabletop Medium Room Conference System for Microsoft Teams® Rooms

Visit www.crestron.com/flexcare for detailed terms and conditions and additional information.

Dual Control Option

A Crestron TS-70 or TSW-70 series 10.1 in. touch screen may be added to the solution as an additional control point for the Microsoft Teams Rooms environment.^{2,3}

Deployment Resources

View the [Crestron Flex Pre-Deployment Checklist](#) to help plan your Crestron Flex installation.

Specifications

Included Components

| | |
|--------------------------------------|--|
| CCS-UC-1-T-V | Crestron Flex tabletop conferencing device: <ul style="list-style-type: none">Cable, CAT5e, RJ-45-to-RJ-45, 12 ft (3.66 m);Cable management hardware |
| UC-BRKT-200-S-T-ASSY | UC Bracket Assembly comprised of: <ul style="list-style-type: none">UC Engine: Mini PC with Microsoft Teams videoADPT-USB-ENET: USB-to-Ethernet AdapterHDMI® to USB 3.0 converter for content ingestMounting hardware |
| CBL-4K-DP-HD-6 | DisplayPort™ to HDMI Cable, 6 ft (1.8 m); secondary display |
| CBL-CAT5E-7 | Ethernet LAN cable for UC Engine, RJ-45-to-RJ-45, black, 7 ft (2.1 m) |
| CBL-HD-6 | HDMI Interface Cable, 6 ft (1.8 m); primary display |
| CBL-HD-20 | HDMI Interface Cable, 20 ft (6.1 m); content sharing |
| CBL-USB-A-BMICRO-6 | USB Cable, USB Type A Male to Micro-B Male cable, 6 ft (1.8 m) |
| CBL-USB-A-EXT-15 | USB Extension Cable, USB Type A Male-to-Female, 15 ft (4.6 m) |
| CBL-USBC-USBA-6 | USB 3.0 Cable, Right angle USB-C® to A, 6 ft (1.8 m) |
| DM-CBL-ULTRA-PC-20 | Ethernet LAN cable, CAT6a, RJ-45-to-RJ-45, blue, 20 ft (6.1 m) |

[PW-2420RU](#)

Universal power supply and power cord

[UC-CAM-WMK](#)

Wall Mount Kit for Crestron® Cameras

Crestron Flex Tabletop Conferencing Device

| | |
|--------------------------------------|---|
| Touch Screen | 7 in. (178 mm) diagonal capacitive multi-touch TFT active matrix color LCD, 1280 x 800 pixels |
| UI | Microsoft Teams Rooms UI plus optional Crestron room control UI ² |
| Mic Mute Symbol and Light Bar | (2) Capacitive buttons with bi-color LEDs, either button toggles between mute and unmute |
| AEC | Limes Audio TrueVoice® acoustic echo cancellation, automatic mic mixing, automatic gain control, and dynamic noise reduction, full-duplex IEEE 1329 Type 1 compliant |
| Speaker | Full range speaker; Amplifier Power: 11 W; 95 dB SPL at 0.5 m maximum output; Frequency Response: 90 Hz to 22 kHz |
| Microphones | 360° quad mic array; Pickup Range (typical): 20 ft (6 m) |
| Extension Microphones | Supports two mic pods, model CCS-UCA-MIC (sold separately) |
| Occupancy Sensor | 6 ft (1.83 m) PIR range in front of touch screen |
| Ethernet | 100 Mbps, autoswitching, autonegotiating, autodiscovery, full/half duplex, DHCP, TCP/IP, UDP/IP, CIP, SSL, TLS, SSH, SFTP (SSH File Transfer Protocol), SRTP, IEEE 802.1X, Active Directory® authentication, digest access authentication, password login, XiO Cloud client, Microsoft Intune® client, IEEE 802.3at Type 2 PoE+ compliant |
| USB | USB 2.0 micro Type B device port, supports UAC for audio interface to UC Engine (cable included) |
| Power Options | PoE+: IEEE 802.3at Type 2, Class 4 (25.5 W) PoE+ Powered Device |
| Dimensions | 24VDC: 24VDC via external 100-240VAC, 50/60 Hz power pack, model PW-2420RU Height: 4.11 in. (104 mm) Width: 8.92 in. (227 mm) Depth: 12.74 in. (324 mm) |

NOTE: If the optional mic pod (CCS-UCA-MIC) is used, an external power supply is required as PoE+ cannot be used to power the device.

UC-M50-NC-T

Crestron Flex Tabletop Medium Room Conference System for Microsoft Teams® Rooms

Weight 5.5 lb (2.5 kg)

UC Bracket Assembly

UC Engine Mini PC, Intel Core® processor, with Windows® 11 IoT Edition OS and 100/1000 Mbps Ethernet connectivity

UC Client Microsoft Teams Rooms

Management Client XiO Cloud Service

Content Ingest HDMI input via HDMI to USB 3.0 converter

Display Output Single or dual display supported¹

Display Output Resolution 1080p

Power 100-240VAC, 50/60 Hz adapter (included)

Construction Metal mounting bracket, black, preassembled with UC Engine and HDMI to USB 3.0 converter

Mounting Surface wall mount behind the display device, or attach to the rear of the display device via the bolts attaching the display to a VESA® compliant display mount; Bracket includes mounting holes on both side edges, spaced 100, 200, and 300 mm vertically, to allow for attachment to either side of the display mounting plate

Dimensions Height: 15.00 in. (381 mm)
Width: 14.50 in. (368 mm)
Depth: 1.87 in. (48 mm) (UC Bracket Assembly with HD-CONV-USB-200)
1.93 in. (49 mm) (UC Bracket Assembly with HD-CONV-USB-300)

Weight 7.7 lb (3.5 kg) (UC Bracket Assembly with HD-CONV-USB-200)
7.95 lb (3.6 kg) (UC Bracket Assembly with HD-CONV-USB-300)

Model

UC-M50-NC-T

Crestron Flex Tabletop Medium Room Conference System for Microsoft Teams® Rooms

Available Accessories

For a list of available accessories, visit the [UC-M50-NC-T](#) product page.

Notes:

1. Display must support "Wake on Sync" and "Sleep on No Sync" functionality. Consult the display manufacturer's specifications or internal settings of the specific display.
2. Room control capability (lighting, shades, thermostats, and so forth) requires additional equipment and commissioning to be provided by a Crestron authorized integrator and/or programmer. Additional costs may apply.
3. A maximum of two touch screens or one touch screen and one Crestron Mercury device can be accommodated by the system. Only one control device may be connected via direct connection method.

The original language version of this document is U.S. English. All other languages are a translation of the original document.

This product may be purchased from select authorized Crestron dealers and distributors. To find a dealer or distributor, please contact the Crestron sales representative for your area. A list of sales representatives is available online at www.crestron.com/How-To-Buy/Find-a-Representative or contact us for additional information by visiting <https://www.crestron.com/contact/our-locations> for your local contact.

This product is covered under the Crestron standard limited warranty. Refer to www.crestron.com/warranty for full details.

The specific patents that cover Crestron products are listed online at patents.crestron.com.

Certain Crestron products contain open source software. For specific information, please visit www.crestron.com/opensource.

Crestron, the Crestron logo, and XiO Cloud are either trademarks or registered trademarks of Crestron Electronics, Inc. in the United States and/or other countries. TrueVoice is either a trademark or registered trademark of Google Inc. in the United States and/or other countries. HDMI and the HDMI Logo are either a trademark or registered trademark of HDMI Licensing LLC in the United States and/or other countries. Intel Core is either a trademark or registered trademark of Intel Corporation in the United States or other countries. Active Directory, Microsoft Intune, Microsoft Teams, and Windows are either trademarks or registered trademarks of Microsoft Corporation in the United States and/or other countries. USB-C is either a trademark or registered trademark of USB Implementers Forum, Inc. in the United States and/or other countries. DisplayPort and VESA are either trademarks or registered trademarks of Video Electronics Standards Association in the United States and/or other countries. Other trademarks, registered trademarks, and trade names may be used in this document to refer to either the entities claiming the marks and names or their products. Crestron disclaims any proprietary interest in the marks and names of others. Crestron is not responsible for errors in typography or photography.

HDMI

Specifications are subject to change without notice.

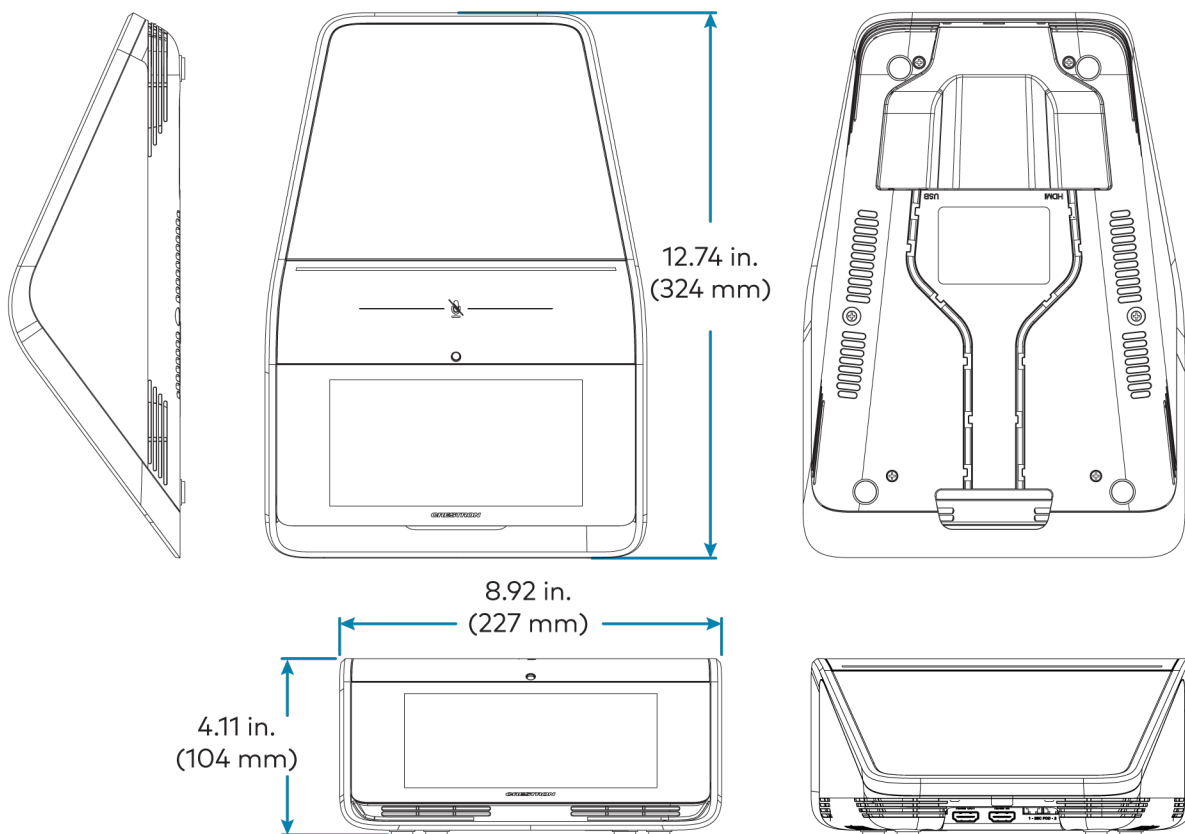
©2024 Crestron Electronics, Inc.

Rev 07/17/24

UC-M50-NC-T

Crestron Flex Tabletop Medium Room Conference System for Microsoft Teams® Rooms

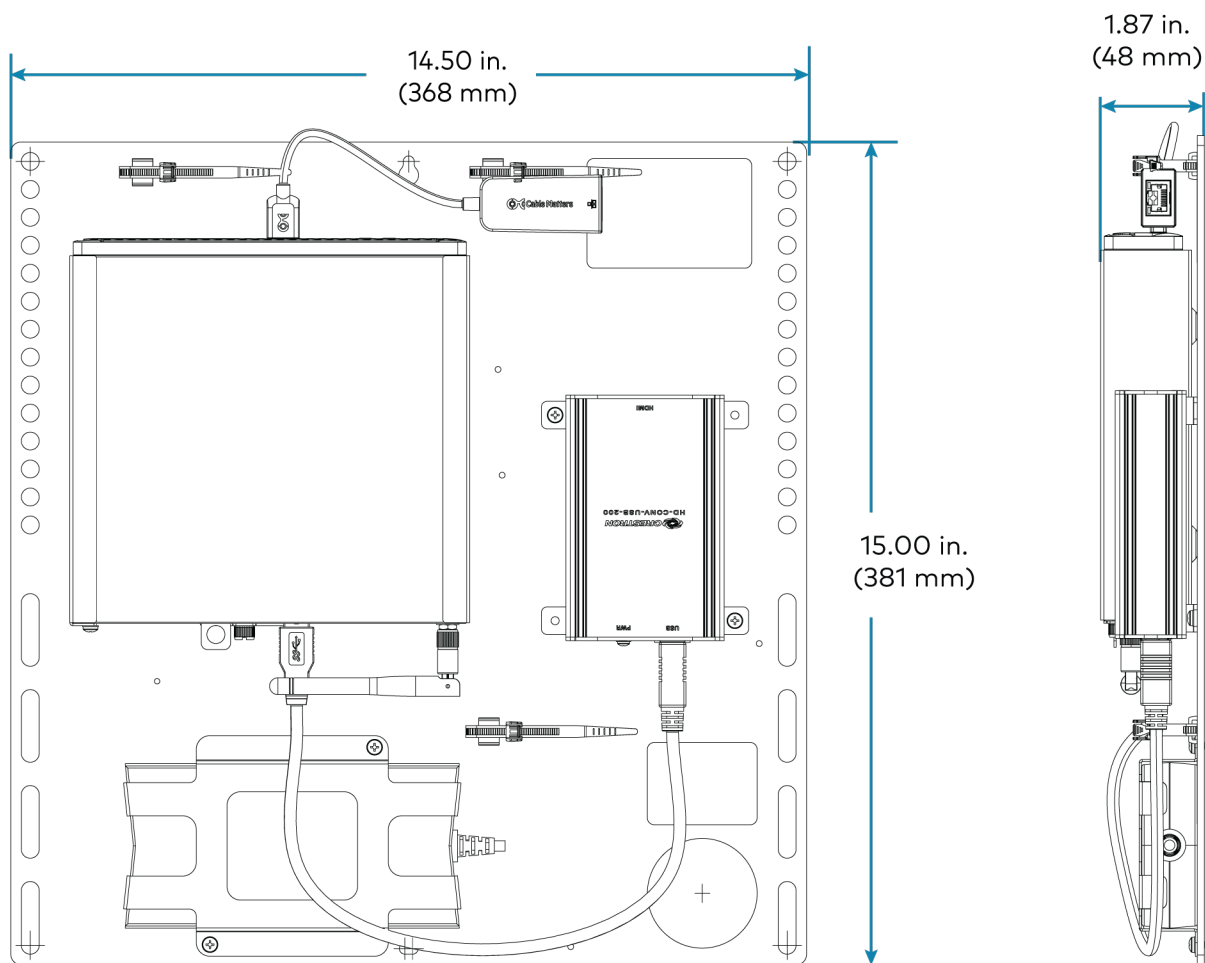
Crestron Flex Tabletop Conference Device (CCS-UC-1-T-V)



UC-M50-NC-T

Crestron Flex Tabletop Medium Room Conference System for Microsoft Teams® Rooms

UC Bracket Assembly with HD-CONV-USB-200



UC-M50-NC-T

Crestron Flex Tabletop Medium Room Conference System for Microsoft Teams® Rooms

UC Bracket Assembly with HD-CONV-USB-300

