

PMK-IDOC-PAD-DSW Pre-Construction Wall Mount Kit

DO Install the Device

To use the Crestron® PMK-IDOC-DSW Pre-Construction Wall Mount Kit to install an iPanel® In-Wall Docking Station, the following materials are required (not supplied):

- #2 Phillips screwdriver or hammer
- Level
- Standard drywall screws or nails (length can vary)

The PMK-IDOC-PAD-DSW fastens to the right side of a stud in a framed wall prior to hanging drywall. A blank cover plate is included to provide a temporary cover of the opening during construction.

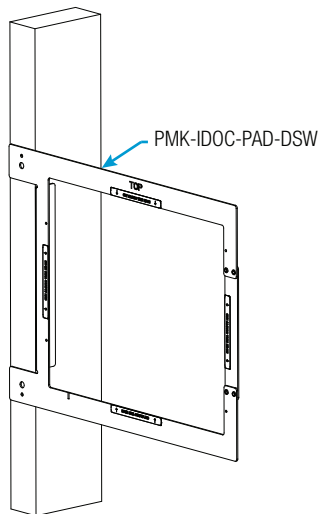
CAUTION: Allow an air gap of at least 12" (305 mm) in the wall cavity above and below the docking station for heat dissipation.

NOTE: If the installation is not on wooden studs, consider the needs of the particular situation. For example, screw type may vary for steel studs, etc.

NOTE: The PMK-IDOC-PAD-DSW has been optimized for mounting in 5/8" (15 mm) drywall. Drywall with thickness of 1/2" to 1" (13 mm to 25 mm) can also be used without issue. Thinner or thicker drywall can cause issues with the installation.

1. Using the level, ensure that the PMK-IDOC-PAD-DSW is level and attach it to the right side of the stud using drywall screws or nails. The larger holes are for drywall screws while the smaller holes are for nails. Make sure the PMK-IDOC-PAD-DSW is attached to the center of the stud as shown in the following drawing.

NOTE: The PMK-IDOC-PAD-DSW must be installed on the right side of the stud.



DO Check the Box

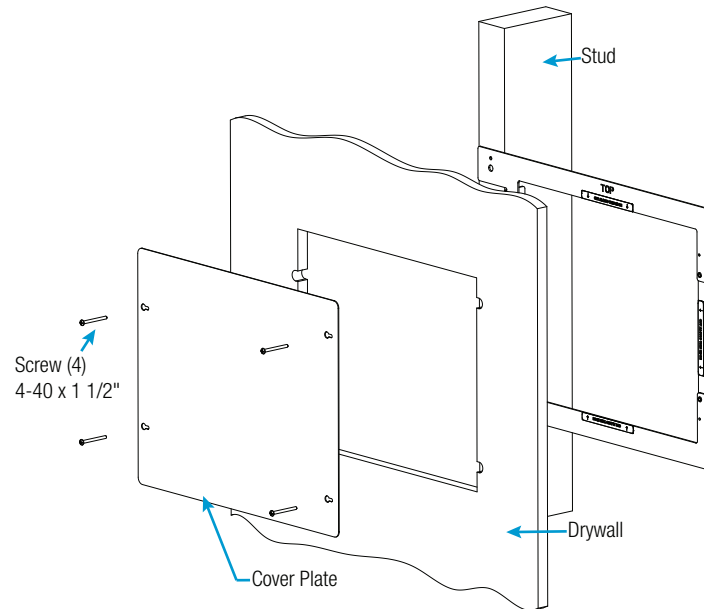
QTY	PRODUCT	PART NUM.
1	Plate, Metal	2030449
1	Wire, Jumper, 12", 18 AWG	2007838
4	Screw, 4-40 x 1-1/2", Pan Head, Phillips	2007190

2. Note the position of the PMK-IDOC-PAD-DSW and hang drywall over it.

3. After the drywall is positioned, a rectangular opening must be cut in it. Cut the opening to expose the 4-40 tapped holes along the sides of the plate.

A notch is located to the bottom left of the PMK-IDOC-PAD-DSW's opening. Secure the jumper wire there and use the wire to hang cables away from drywall cutting tools.

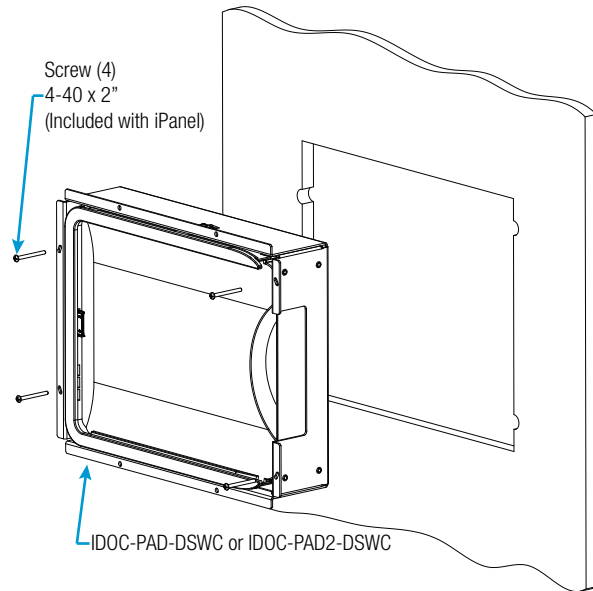
NOTE: There are labels on the front of the PMK-IDOC-PAD-DSW to indicate where to cut the drywall.



NOTE: The four tapped holes on the front of the mounting plate must be exposed to accept the docking station's mounting screws. The holes are found beneath the drywall just outside the four corners of the drywall opening.



4. Complete the installation by installing the iPanel, leaving the hole open (if permitted by local building codes), or installing the optional cover plate with the included 4-40 x 1 1/2" screws. If installing the iPanel, refer to the following illustration and the IDOC-PAD-DSWC/IDOC-PAD2-DSWC DO Guide (Doc. 7773) at crestron.com/manuals.



DO Learn More

Visit the website for additional information and the latest firmware updates.

Crestron Electronics
15 Volvo Drive, Rockleigh, NJ 07647
888.CRESTRON | www.crestron.com



CE As of the date of manufacture, the product has been tested and found to comply with specifications for CE marking.

The specific patents that cover Crestron products are listed at patents.crestron.com.

The product warranty can be found at www.crestron.com/warranty.

Crestron, the Crestron logo, and iPanel are either trademarks or registered trademarks of Crestron Electronics, Inc. in the United States and/or other countries. Other trademarks, registered trademarks, and trade names may be used in this document to refer to either the entities claiming the marks and names or their products. Crestron disclaims any proprietary interest in the marks and names of others. Crestron is not responsible for errors in typography or photography.

This document was written by the Technical Publications department at Crestron.

©2015 Crestron Electronics, Inc.