

HD-CONV-USB-200

HDMI® to USB 3.0 Converter

The HD-CONV-USB-200 provides an HDMI® input for a Crestron® Flex UC video conference system using the Microsoft Teams™ platform. It is also compatible with Windows® and macOS® computers and other USB UVC class devices.

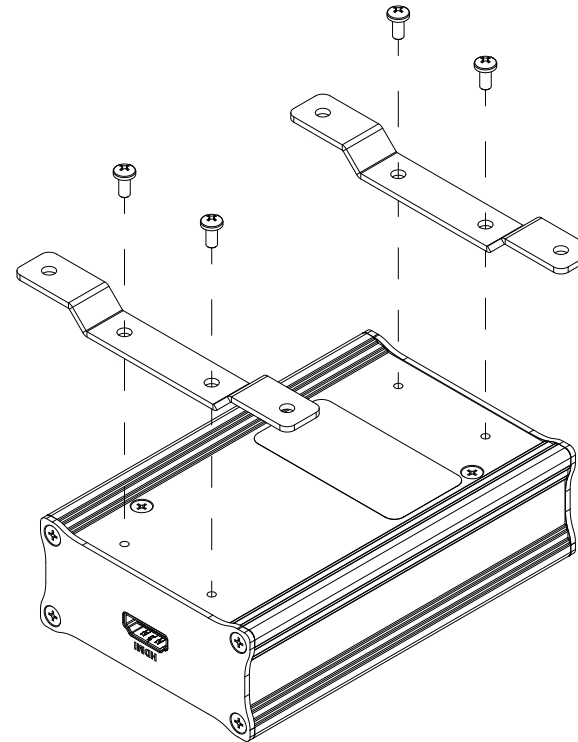
Check the Box

Item	Qty
HD-CONV-USB-200	1
Bracket, Mounting (P/N 2052220)	2
Cable, USB 3.0, A - B, 3 ft (1 m) (P/N 2052534)	1
Screw, 4-40 x 1/4 in., Pan Head, Philips, Black (P/N 2007158)	4

Install the Device

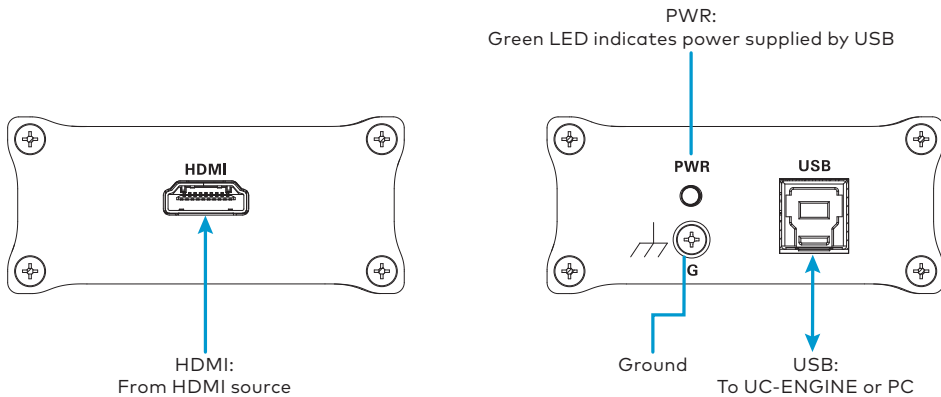
The HD-CONV-USB-200 can be mounted onto a surface such as a table with the included mounting brackets or simply placed on a flat surface. To mount on a surface, install the mounting brackets as shown in the following diagram.

Using a #1 Phillips screwdriver, attach the two included brackets to the device with the four included screws. Then, mount the device onto the surface using four mounting screws (not included).



Connect the Device

Make the necessary connections as called out in the following diagram.



For Additional Information

Scan or click the QR code for detailed product information.



HD-CONV-USB-200



Compliance and Legal

This product is Listed to applicable UL® Standards and requirements tested by Underwriters Laboratories Inc.

Ce produit est homologué selon les normes et les exigences UL applicables par Underwriters Laboratories Inc.



As of the date of manufacture, the product has been tested and found to comply with specifications for CE marking.



Federal Communications Commission (FCC) Compliance Statement

This device complies with part 15 of the FCC Rules. Operation is subject to the following conditions:(1) This device may not cause harmful interference and (2) this device must accept any interference received, including interference that may cause undesired operation.

CAUTION: Changes or modifications not expressly approved by the manufacturer responsible for compliance could void the user's authority to operate the equipment.

NOTE: This equipment has been tested and found to comply with the limits for a Class A digital device, pursuant to part 15 of the FCC Rules. These limits are designed to provide reasonable protection against harmful interference in a residential installation. This equipment generates, uses and can radiate radio frequency energy and, if not installed and used in accordance with the instructions, may cause harmful interference to radio communications. However, there is no guarantee that interference will not occur in a particular installation. If this equipment does cause harmful interference to radio or television reception, which can be determined by turning the equipment off and on, the user is encouraged to try to correct the interference by one or more of the following measures:

- Reorient or relocate the receiving antenna.
- Increase the separation between the equipment and receiver.
- Connect the equipment into an outlet on a circuit different from that to which the receiver is connected.

- Consult the dealer or an experienced radio/TV technician for help.

Industry Canada (IC) Compliance Statement

CAN ICES-3(A)/NMB-3(A).

The product warranty can be found at www.crestron.com/warranty.

The specific patents that cover Crestron products are listed at www.crestron.com/legal/patents.

Certain Crestron products contain open source software. For specific information, please visit www.crestron.com/opensource.

Crestron and the Crestron logo are either trademarks or registered trademarks of Crestron Electronics, Inc. in the United States and/or other countries. macOS is either a trademark or registered trademark of Apple Inc. in the United States and/or other countries. HDMI and the HDMI logo are either trademarks or registered trademarks of HDMI Licensing LLC in the United States and/or other countries. Microsoft Teams and Windows are either trademarks or registered trademarks of Microsoft Corporation in the United States and/or other countries. UL and the UL logo are either trademarks or registered trademarks of Underwriters Laboratories, Inc. in the United States and/or other countries. Other trademarks, registered trademarks, and trade names may be used in this document to refer to either the entities claiming the marks and names or their products. Crestron disclaims any proprietary interest in the marks and names of others. Crestron is not responsible for errors in typography or photography.

©2018 Crestron Electronics, Inc.

Crestron Electronics, Inc.
15 Volvo Drive, Rockleigh, NJ 07647
Tel: 888.CRESTRON
Fax: 201.767.7576
www.crestron.com

**Quick Start - Doc. 8354C
(2053087)**

12.18
Specifications subject to
change without notice.