

## DM NVX® 4K60 4:4:4 Network AV Encoders/Decoders

The [DM-NVX-363](#) and [DM-NVX-360](#) network AV encoders/decoders transport ultra high-definition 4K60 4:4:4 video over standard Gigabit Ethernet. HDR10, HDR10+, and Dolby Vision® video formats are supported.



### In the Box

- 1 DM-NVX-363 or DM-NVX-360 Network AV Encoder/Decoder

#### Additional Items

- 1 Connector, 4-Pin (2003576)
- 2 Connector, 5-Pin (2003577)



### Install the Device

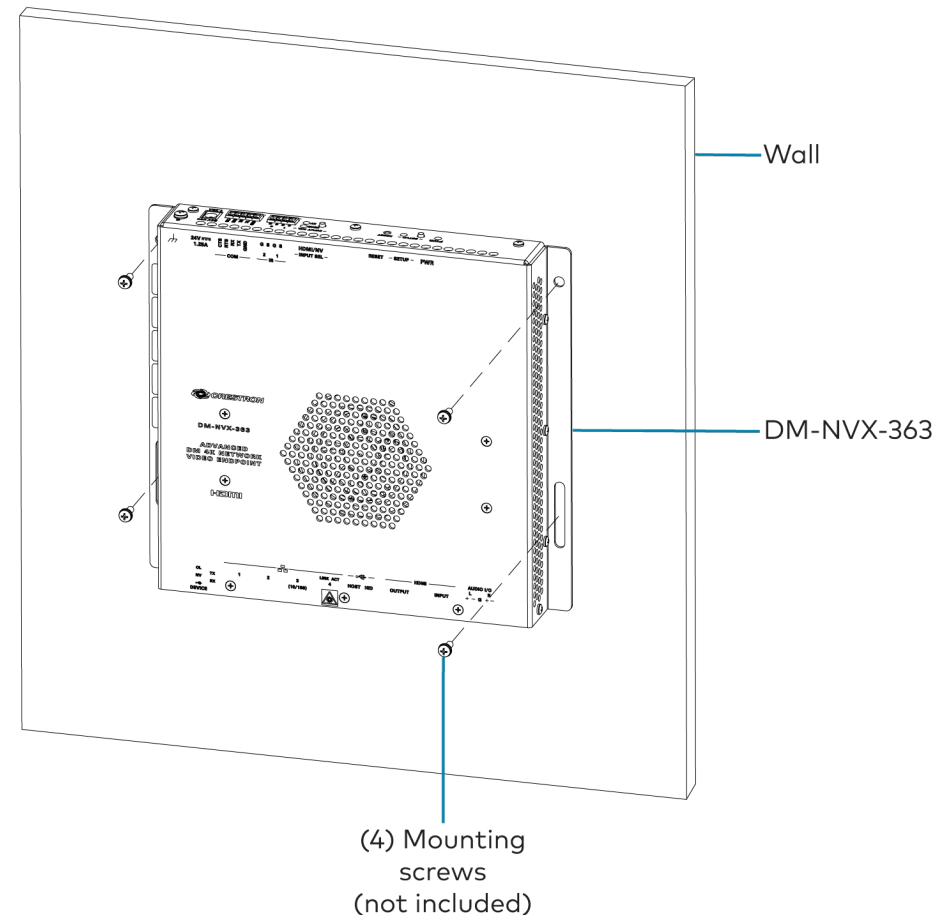
The DM NVX® device can be mounted onto a flat surface or rack rail.

#### Mounting onto a Flat Surface

Using four mounting screws (not included), mount the device onto a flat surface such as a wall or the underside of a table.

**NOTE:** Fan ventilation holes are provided on five sides of the device. If the installation necessitates that another object be positioned flush against the ventilation holes on one side of the device, leave a minimum clearance of 2 inches of space on all other sides containing ventilation holes.

#### Wall Mounting (DM-NVX-363 Shown)



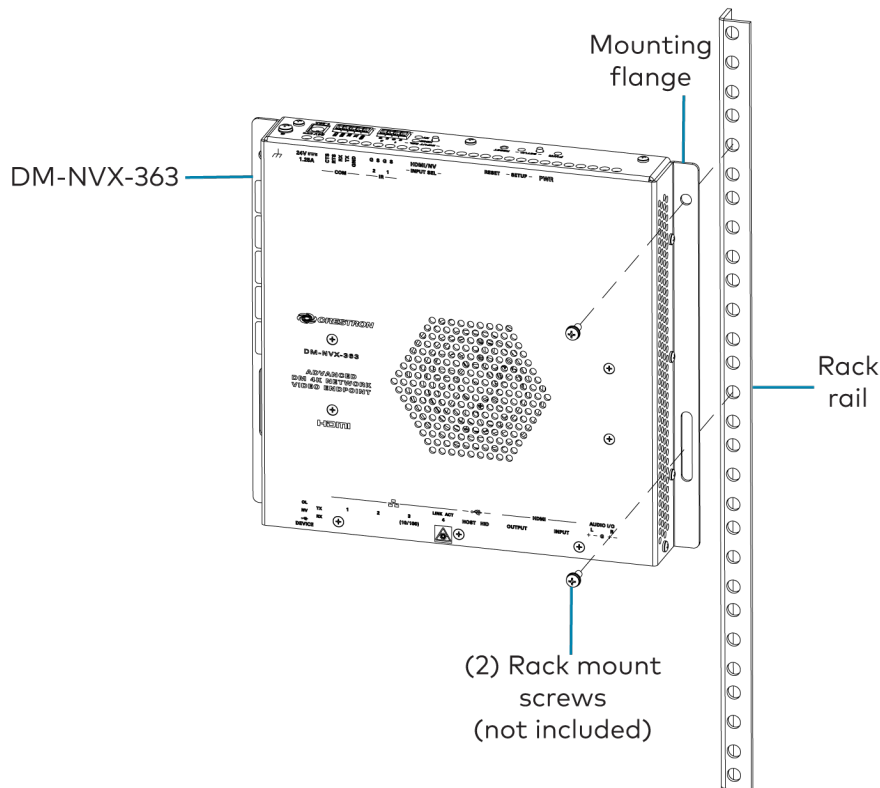
## DM NVX® 4K60 4:4:4 Network AV Encoders/Decoders

### Mounting onto a Rack Rail

The device can be mounted onto a front or rear rack rail. To mount the device:

1. Position either the left or right mounting flange so that the holes align with the holes in the rack rail.
2. Secure the device to the rack rail using two rack mount screws (not included).

#### Rack Rail Mounting Example (DM-NVX-363 Shown)



### Connect the Device

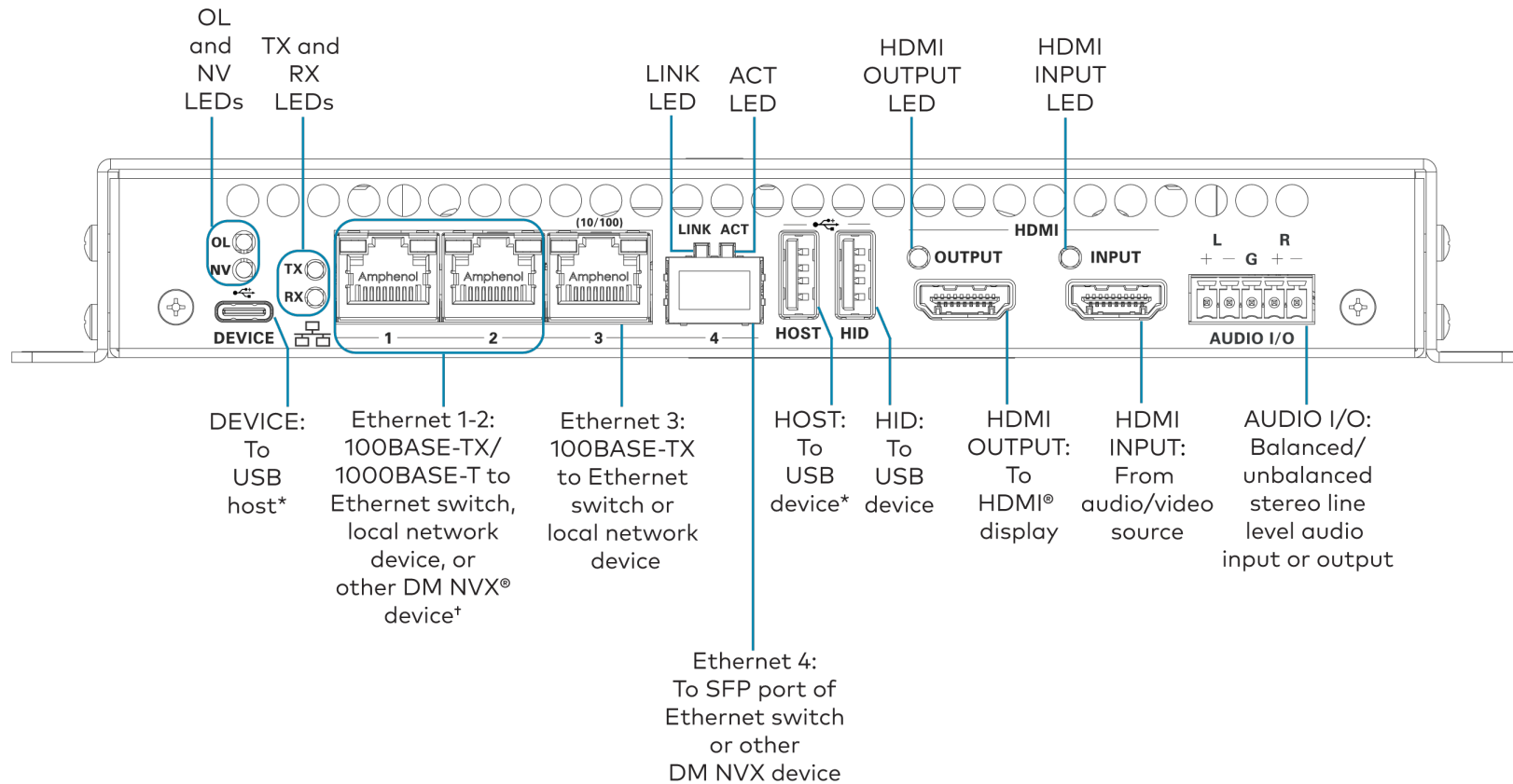
Connect the device as required for the application.

#### NOTES:

- The DM-NVX-363 and DM-NVX-360 each provide four Ethernet ports:
  - Ports 1 and 2 are 100BASE-TX/1000BASE-T ports.
  - Port 3 is a 100BASE-TX port.
  - Port 4 is an SFP port, which connects to a fiber-optic network using the appropriate Crestron [SFP-1G](#) Series transceiver module (sold separately). For information about installing a Crestron SFP-1G transceiver module, refer to the [SFP-1G Series Installation Guide](#) (Doc. 7979) on the Crestron website ([www.crestron.com](http://www.crestron.com)).
- Ethernet port 1 is a PoE+ powered device (PD) port. In order for the port to receive PoE+, it must be connected to PoE+ power sourcing equipment such as the Crestron [DM-PSU-ULTRA-MIDSPAN](#) (sold separately), a POE+ compliant Ethernet switch, or third-party IEEE 802.3at compliant PSE. Wiring that connects to a PoE+ PSE port is designed for intrabuilding use only. PoE+ or the optional [PW-2412WU](#) power pack (sold separately) can be used to power the DM NVX device.
- Ethernet port 1, 2, or 4 can be used to connect to a 1000BASE-T Ethernet switch in order to stream network video.
- Ethernet ports 1 and 2 can also be used to connect to a local network device or to another DM NVX device.
- Ethernet port 3 can be used to connect to a dedicated audio network or to a local network device.

## DM NVX® 4K60 4:4:4 Network AV Encoders/Decoders

### Front Panel Connections - DM-NVX-363 and DM-NVX-360

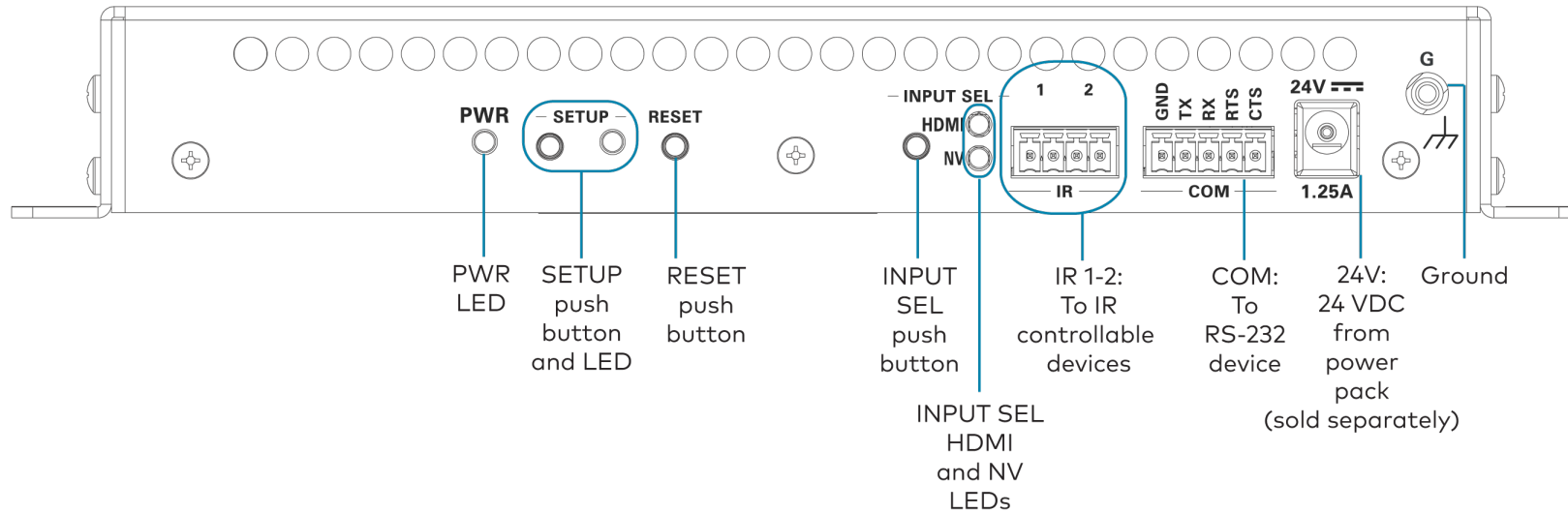


\*The device can be configured to use either the DEVICE port or the HOST port. Both ports cannot be used simultaneously.

†Ethernet port 1 is a PoE+ powered device port.

## DM NVX® 4K60 4:4:4 Network AV Encoders/Decoders

### Rear Panel Connections - DM-NVX-363 and DM-NVX-360



## DM NVX® 4K60 4:4:4 Network AV Encoders/Decoders

### AUDIO I/O Connector Pin Assignments

The AUDIO I/O connector uses a 5-pin terminal block for balanced or unbalanced analog audio input or output.

#### AUDIO I/O Connector

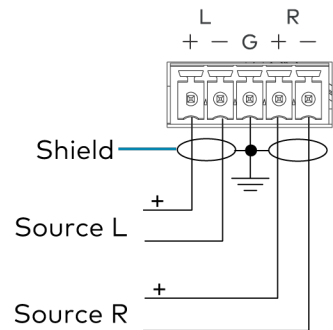


### Balanced/Unbalanced Audio Input

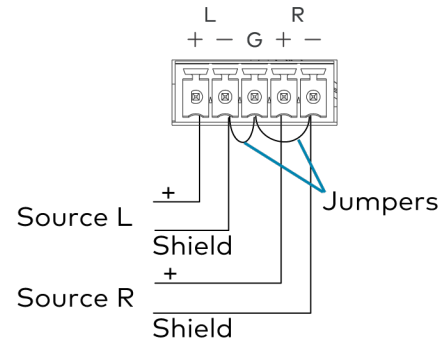
Refer to the following table and diagrams for analog audio input pin assignments and connection information.

Signal Name	Balanced Audio Input	Unbalanced Audio Input
+	L+	L+ In
-	L-	L- Signal return, jumper to GND
G	Shield/ground	Ground
+	R+	R+ In
-	R-	R- Signal return, jumper to GND

#### Balanced Input



#### Unbalanced Input

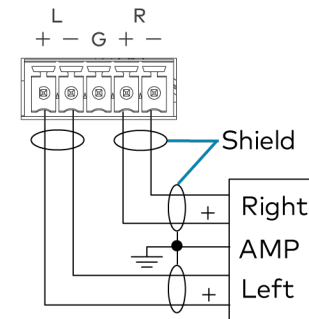


### Balanced/Unbalanced Audio Output

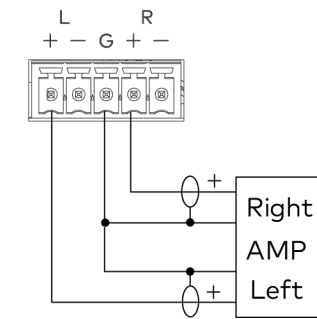
Refer to the following table and diagrams for analog audio output pin assignments and connection information.

Signal Name	Balanced Audio Output	Unbalanced Audio Output
+	L+	L+ Out
-	L-	Open
G	Shield/ground	Common ground
+	R+	R+ Out
-	R-	Open

#### Balanced Output



#### Unbalanced Output



## DM NVX® 4K60 4:4:4 Network AV Encoders/Decoders



## Upgrade the Firmware

Before using the device, upgrade the firmware. The latest firmware can be downloaded from the [DM-NVX-363](#) or [DM-NVX-360](#) product page on the Crestron website ([www.crestron.com](http://www.crestron.com)).



## Configure the Device

Configure the device using the web interface. To access the web interface, open a web browser and then go to the IP address of the device.

**NOTE:** By default, the IP address of a DM NVX device is assigned by a DHCP server on the network. If a DHCP server does not exist on the network, the IP address defaults to a link-local address in the 169.254.xxx.xxx range (refer to RFC 3927 for detailed information about link-local addressing). To display the IP address on the connected display, press the SETUP button on the rear panel of the device.

If no account has been created, create an account by entering a user name and password and confirming the password. After an account has been created, sign in to the web interface by entering the user name and password.



## Connect to the Cloud

The [XiO Cloud® service](#) enables supported devices across an enterprise to be managed and configured from one central and secure location in the cloud. Supported Crestron® devices are configured to connect to the service out of the box.

Use of the service requires a registered XiO Cloud account. To register for an XiO Cloud account, refer to [www.crestron.com/Support/Tools/Licensing-Registration/XiO-Cloud-Registration-Room-Licenses](http://www.crestron.com/Support/Tools/Licensing-Registration/XiO-Cloud-Registration-Room-Licenses).

To connect the device to the XiO Cloud service:

1. Record the MAC address and serial number that are labeled on the shipping box or the device. The MAC address and serial number are required in order to add the device to the XiO Cloud service.

**NOTE:** If the device has multiple MAC addresses, use the MAC address that is providing the primary connection back to the network. For most devices, the Ethernet MAC address should be used. However, if your device is connecting to the network over a different protocol (such as Wi-Fi® communications), use the MAC address for that protocol instead.

2. Log in to your XiO Cloud account at [portal.crestron.io](http://portal.crestron.io).
3. Claim the device to the XiO Cloud service as described in the [XiO Cloud User Guide](#).

Select the device from the cloud interface to view its status and settings. The device may now also be managed and assigned to a group or room. For more information, refer to the [XiO Cloud User Guide](#).

**NOTE:** For XiO Cloud accounts with room-based licenses, the device must be added to a licensed room before its status and settings can be viewed.

## DM NVX® 4K60 4:4:4 Network AV Encoders/Decoders



## Observe the LED Indicators

Refer to the following table for information about the LED indicators on the device.

LED Indicator	Color	Meaning
PWR	Amber	Power is being applied to the device. The device is booting.
	Green	Power is being applied to the device. The device is operational.
SETUP	Red	The SETUP button is pressed.
INPUT SEL, HDMI	Green	The HDMI input is selected.
	Amber	An HDMI signal is detected but the HDMI input is not selected.
INPUT SEL, NV	Green	The NV (network video) input is selected.
	Amber	Network video is detected but the NV input is not selected.
OL	Green	The device is online with a control system.
NV	Green	(Transmitter mode only) The device is encoding (transmitting) network video. (Receiver mode only) The device is decoding (receiving) network video.
TX	Green	The device is in transmitter (encoder) mode
RX	Green	The device is in receiver (decoder) mode.

## LED Indicators (Continued)

LED Indicator	Color	Meaning
Ethernet 1	Green	An Ethernet link is established.
	Flashing amber	Data activity is occurring on the Ethernet link.
Ethernet 2	Green	An Ethernet link is established.
	Flashing amber	Data activity is occurring on the Ethernet link.
Ethernet 3	Green	An Ethernet link is established.
	Flashing green	Data activity is occurring on the Ethernet link.
	Amber	A 100BASE-TX link is established.
Ethernet 4 LINK	Green	An Ethernet link is established.
Ethernet 4 ACT	Flashing green	Data activity is occurring on the Ethernet link.
HDMI OUTPUT	Green	A video signal is being transmitted to the HDMI output.
HDMI INPUT	Green	A video signal is detected at the HDMI input.

## DM NVX® 4K60 4:4:4 Network AV Encoders/Decoders



### Visit the Product Page

Scan the QR code to visit the product page.

#### DM-NVX-363



[www.crestron.com/model/6511008](http://www.crestron.com/model/6511008)

#### DM-NVX-360



[www.crestron.com/model/6511006](http://www.crestron.com/model/6511006)

## Additional Information

### Original Instructions

The U.S. English version of this document is the original instructions. All other languages are a translation of the original instructions.

### Regulatory Model: M201910003

Crestron product development software is licensed to Crestron dealers and Crestron Service Providers (CSPs) under a limited nonexclusive, nontransferable Software Development Tools License Agreement. Crestron product operating system software is licensed to Crestron dealers, CSPs, and end-users under a separate End-User License Agreement. Both of these Agreements can be found on the Crestron website at [www.crestron.com/legal/software\\_license\\_agreement](http://www.crestron.com/legal/software_license_agreement).

The product warranty can be found at [www.crestron.com/warranty](http://www.crestron.com/warranty).

The specific patents that cover Crestron products are listed at [www.crestron.com/legal/patents](http://www.crestron.com/legal/patents).

Certain Crestron products contain open source software. For specific information, visit [www.crestron.com/opensource](http://www.crestron.com/opensource).

Crestron, the Crestron logo, DM NVX, and XiO Cloud are either trademarks or registered trademarks of Crestron Electronics, Inc. in the United States and/or other countries. Dolby Vision is either a trademark or registered trademark of Dolby Laboratories in the United States and/or other countries. HDMI and the HDMI logo are either trademarks or registered trademarks of HDMI Licensing LLC in the United States and/or other countries. Wi-Fi is either a trademark or registered trademark of Wi-Fi Alliance in the United States and/or other countries. Other trademarks, registered trademarks, and trade names may be used in this document to refer to either the entities claiming the marks and names or their products. Crestron disclaims any proprietary interest in the marks and names of others. Crestron is not responsible for errors in typography or photography.

## HDMI

©2022 Crestron Electronics, Inc.

Doc. 8634B

08/09/22