

Crestron **TSW-UMB**
Universal Mounting Bracket
for Touch Screens and Wall Docks

Installation Guide



The specific patents that cover Crestron products are listed at patents.crestron.com.

Crestron and the Crestron logo are either trademarks or registered trademarks of Crestron Electronics, Inc. in the United States and/or other countries. Other trademarks, registered trademarks, and trade names may be used in this document to refer to either the entities claiming the marks and names or their products. Crestron disclaims any proprietary interest in the marks and names of others. *Crestron is not responsible for errors in typography or photography.*

This document was written by the Technical Publications department at Crestron.
©2014 Crestron Electronics, Inc.

Contents

Universal Mounting Bracket for Touch Screens and Wall Docks: TSW-UMB	1
Introduction	1
Specifications	2
Physical Description	3
Installation	5
Resources	9
Further Inquiries	9
Future Updates	9
Return and Warranty Policies	10
Merchandise Returns / Repair Service	10
Crestron Limited Warranty	10

Universal Mounting Bracket for Touch Screens and Wall Docks: TSW-UMB

Introduction

The TSW-UMB provides an easy in-wall mounting solution for many Crestron® touch screens and wall docks. Its universal design accommodates any of the models listed below, simplifying specification, reducing inventory, and allowing the bracket to be installed even before the specific device or screen size has been selected.

COMPATIBLE MODELS
IDOC-PAD-LCA-DSCW
TSW-550 ¹
TSW-552 ¹
TSW-750 ²
TSW-752 ²
TSW-1050
TSW-1052

1. The TSW-550 and TSW-552 each ship with (1) TSW-UMB and (1) TSW-UMB-PMK included.
2. The actual installed position of the TSW-750 or TSW-752 will be offset approximately 1/4" (6 mm) to the left relative to the mounting bracket and cutout. This is not an issue with other touch screen models.

The TSW-UMB is designed for post-construction installation in existing drywall or paneling. It is also suitable for use in a lectern or podium. For pre-construction applications, the TSW-UMB can be used along with a TSW-UMB-PMK Pre-Construction Mounting Kit. Masonry and concrete applications can be accommodated using the TSW-UMB along with a TSW-550-BBI back box.

Specifications

Specifications for the TSW-UMB are listed in the following table.

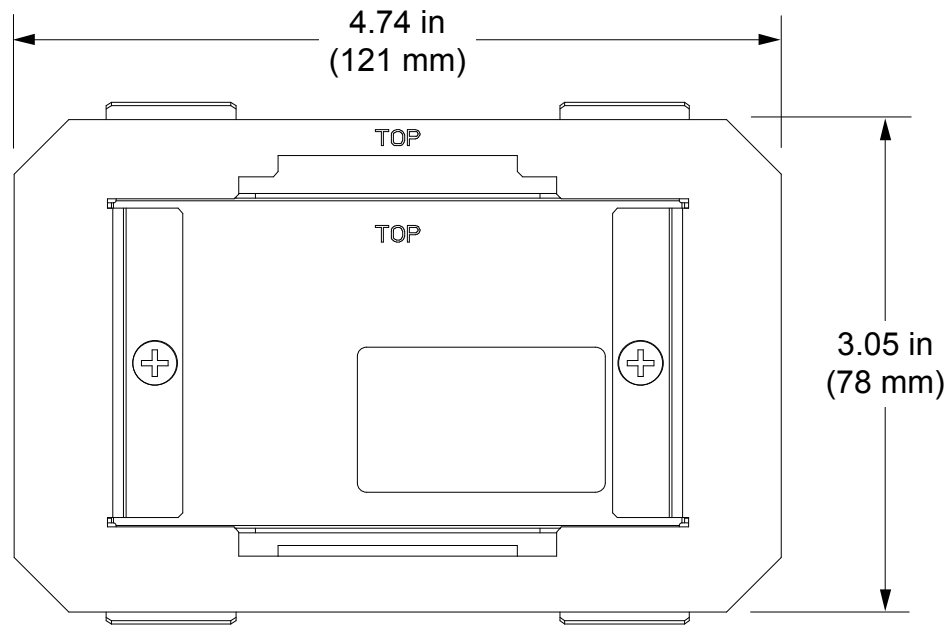
TSW-UMB Specifications

SPECIFICATION	DETAILS
Construction	Metal bracket and clamp assembly
Mounting ¹	
Required Cutout	2 1/2 in (64 mm) high x 3 3/4 in (96 mm) wide ²
Maximum Surface Thickness	1 1.4 in (32 mm)
Minimum Mounting Depth	2 13/16 n (72 mm)
Pre-Construction Option	TSW-UMB-PMK Pre-Construction Mounting Kit (sold separately)
Masonry Back Box Option	TSW-550-BBI Wall Mount Back Box – International Version (sold separately)

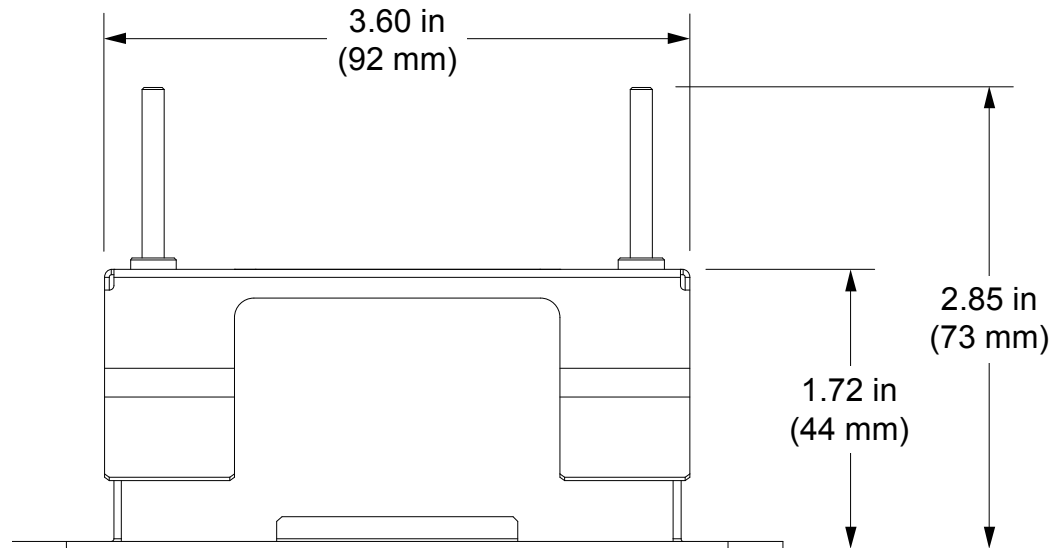
1. Consult the installation manual for each device for additional clearances and complete mounting instructions.
2. The actual installed position of the TSW-750 or TSW-752 is offset approximately 1/4" (6 mm) to the left relative to the mounting bracket and cutout. This is not an issue with the other touch screen models.

Physical Description

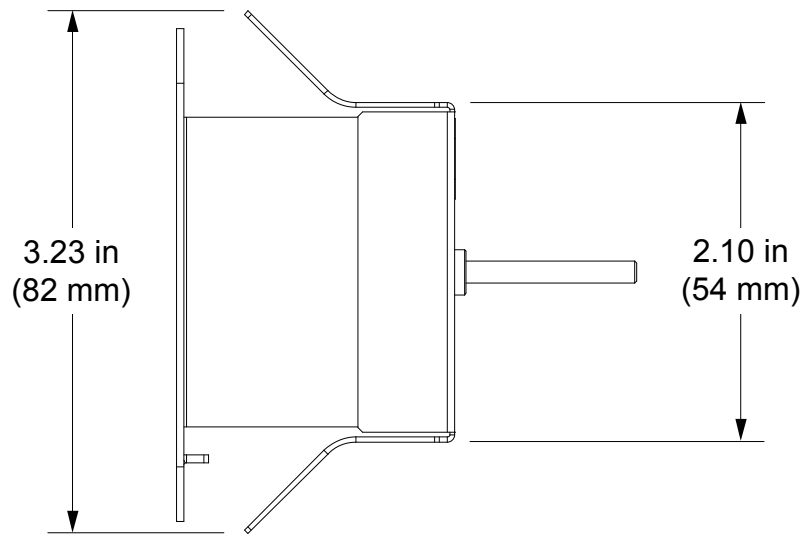
TSW-UMB Overall Dimensions (Front View)



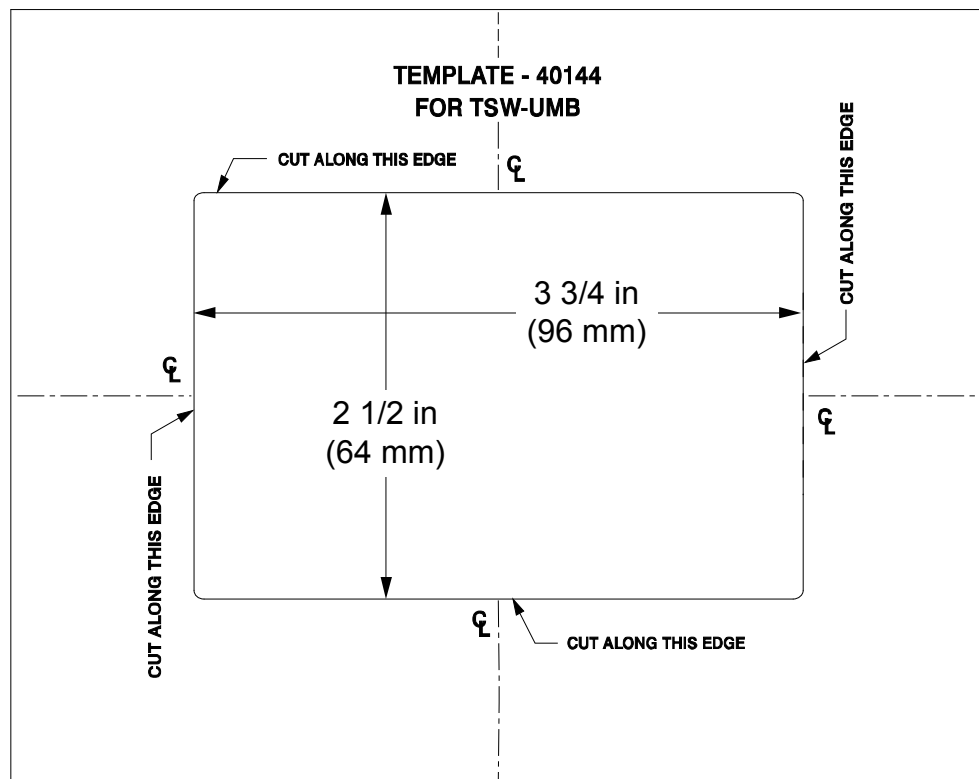
TSW-UMB Overall Dimensions (Top View)



TSW-UMB Overall Dimensions (Side View)



TSW-UMB Cutout Dimensions



Installation

NOTE: The TSW-UMB is designed for post-construction installation in existing drywall or paneling. It is also suitable for use in a lectern or podium. For pre-construction applications, the TSW-UMB can be used along with a TSW-UMB-PMK Pre-Construction Mounting Kit (sold separately).

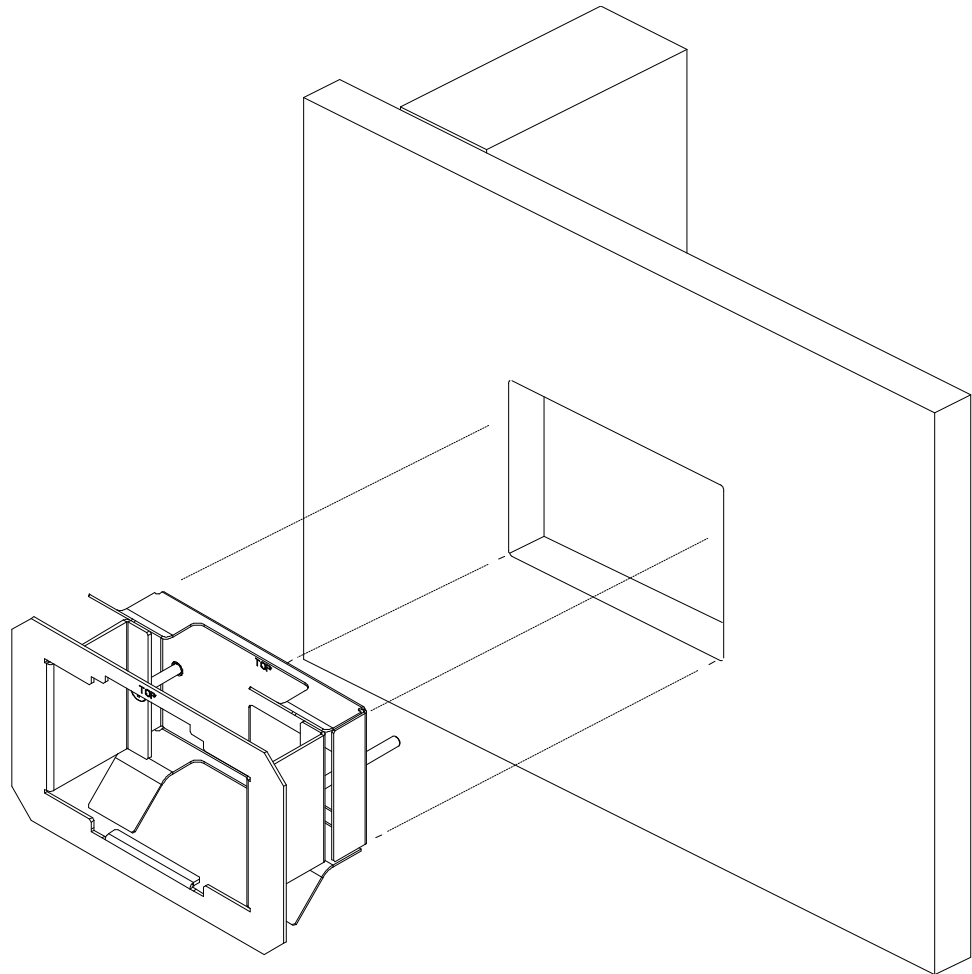
To install the TSW-UMB, use the following procedure:

CAUTION: Allow an air gap of at least 12 inches (305 mm) in the wall cavity above and below the TSW-UMB for heat dissipation.

1. Place the cutout template (40144) included with the TSW-UMB in the desired location, ensuring it is level.
 2. Trace the cutout all around the opening, then cut the hole with an appropriate drywall saw (not included).
-

NOTE: Do not remove the screws holding the two parts of the assembly together.

3. Install the assembly in the opening, bottom first, as shown in the illustrations that follow steps 4 and 5.

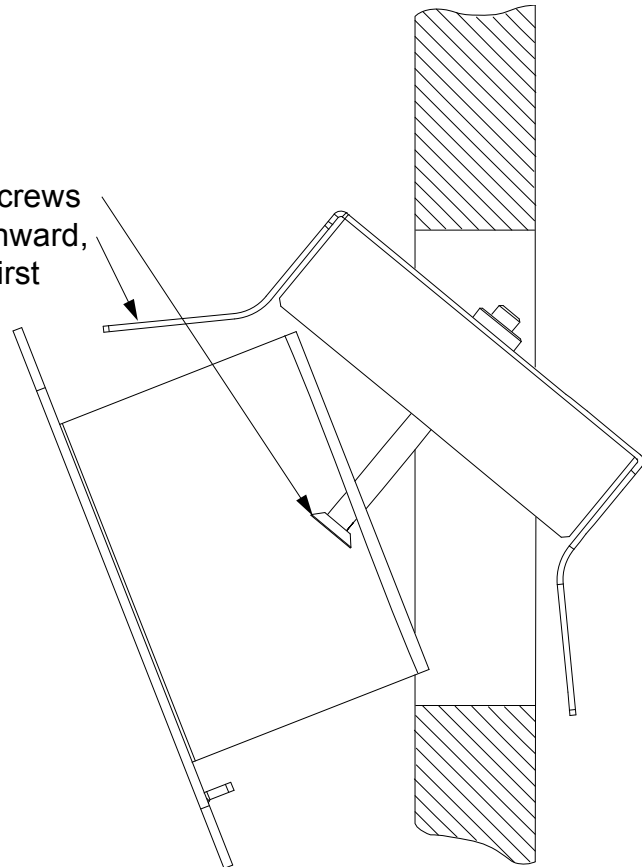
Post-Construction Installation of the TSW-UMB into Cutout

CAUTION: To avoid damage to the TSW-UMB, do not overtighten screws.

4. Reach into the TSW-UMB assembly and push the rear half back to ensure it is fully behind the mounting surface. Ensure the front of the TSW-UMB assembly is level.

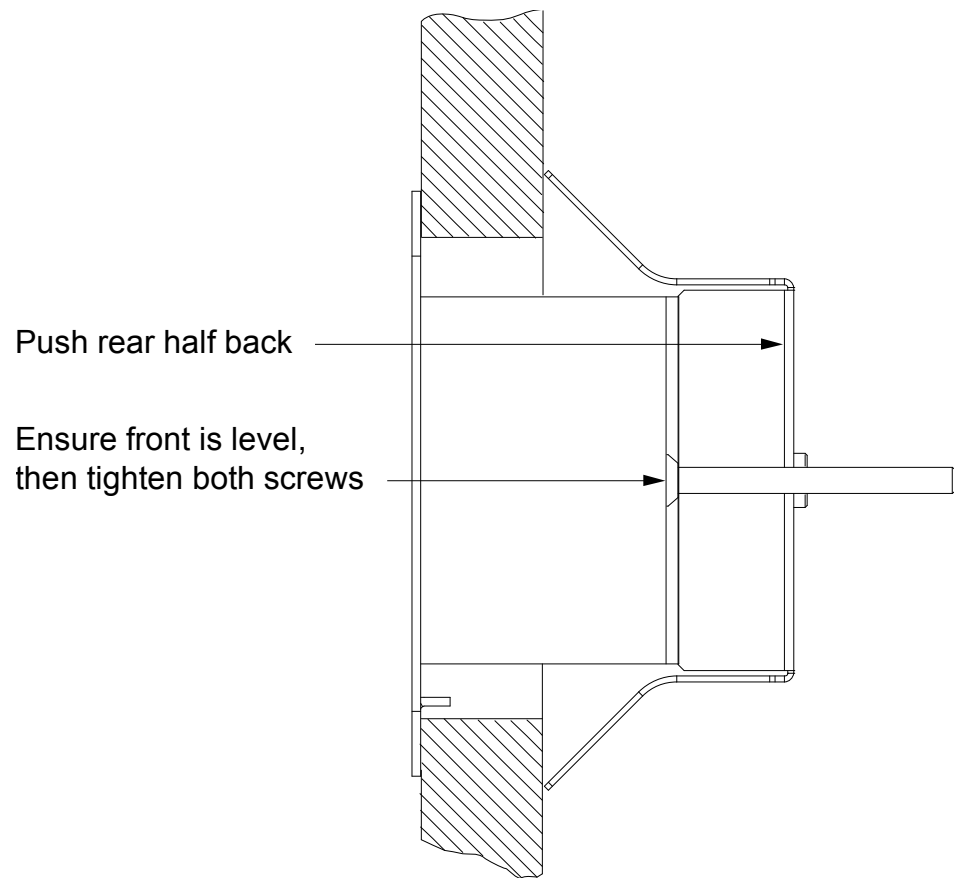
Installing the TSW-UMB Assembly (1 of 2)

After loosening both screws
push top surface downward,
installing bottom half first



5. Tighten the two screws to complete the installation.

Installing the TSW-UMB Assembly (2 of 2)



Resources

Further Inquiries

To locate specific information or resolve questions after reviewing this guide, contact Crestron's True Blue Support at 1-888-CRESTRON [1-888-273-7876] or, for assistance within a particular geographic region, refer to the listing of Crestron worldwide offices at www.crestron.com/offices.

To post a question about Crestron products, log onto Crestron's Online Help at www.crestron.com/onlinehelp. First-time users must establish a user account to fully benefit from all available features.

Future Updates

As Crestron improves functions, adds new features, and extends the capabilities of the TSW-UMB, additional information may be made available as manual updates. These updates are solely electronic and serve as intermediary supplements prior to the release of a complete technical documentation revision.

Check the Crestron website periodically for manual update availability and its relevance. Updates are identified as an "Addendum" in the Download column.

Return and Warranty Policies

Merchandise Returns / Repair Service

1. No merchandise may be returned for credit, exchange or service without prior authorization from Crestron. To obtain warranty service for Crestron products, contact an authorized Crestron dealer. Only authorized Crestron dealers may contact the factory and request an RMA (Return Merchandise Authorization) number. Enclose a note specifying the nature of the problem, name and phone number of contact person, RMA number and return address.
2. Products may be returned for credit, exchange or service with a Crestron Return Merchandise Authorization (RMA) number. Authorized returns must be shipped freight prepaid to Crestron, 6 Volvo Drive, Rockleigh, N.J. or its authorized subsidiaries, with RMA number clearly marked on the outside of all cartons. Shipments arriving freight collect or without an RMA number shall be subject to refusal. Crestron reserves the right in its sole and absolute discretion to charge a 15% restocking fee plus shipping costs on any products returned with an RMA.
3. Return freight charges following repair of items under warranty shall be paid by Crestron, shipping by standard ground carrier. In the event repairs are found to be non-warranty, return freight costs shall be paid by the purchaser.

Crestron Limited Warranty

Crestron Electronics, Inc. warrants its products to be free from manufacturing defects in materials and workmanship under normal use for a period of three (3) years from the date of purchase from Crestron, with the following exceptions: disk drives and any other moving or rotating mechanical parts, pan/tilt heads and power supplies are covered for a period of one (1) year; touch screen display and overlay components are covered for 90 days; batteries and incandescent lamps are not covered.

This warranty extends to products purchased directly from Crestron or an authorized Crestron dealer. Purchasers should inquire of the dealer regarding the nature and extent of the dealer's warranty, if any.

Crestron shall not be liable to honor the terms of this warranty if the product has been used in any application other than that for which it was intended or if it has been subjected to misuse, accidental damage, modification or improper installation procedures. Furthermore, this warranty does not cover any product that has had the serial number altered, defaced or removed.

This warranty shall be the sole and exclusive remedy to the original purchaser. In no event shall Crestron be liable for incidental or consequential damages of any kind (property or economic damages inclusive) arising from the sale or use of this equipment. Crestron is not liable for any claim made by a third party or made by the purchaser for a third party.

Crestron shall, at its option, repair or replace any product found defective, without charge for parts or labor. Repaired or replaced equipment and parts supplied under this warranty shall be covered only by the unexpired portion of the warranty.

Except as expressly set forth in this warranty, Crestron makes no other warranties, expressed or implied, nor authorizes any other party to offer any warranty, including any implied warranties of merchantability or fitness for a particular purpose. Any implied warranties that may be imposed by law are limited to the terms of this limited warranty. This warranty statement supersedes all previous warranties.

This page is intentionally left blank.



Crestron Electronics, Inc.
15 Volvo Drive Rockleigh, NJ 07647
Tel: 888.CRESTRON
Fax: 201.767.7576
www.crestron.com



Installation Guide – DOC. 7590D
(2038167)

07.14

Specifications subject to
change without notice.