

IDOC-PAD-LCA(2)-DSWC

iPanel® Wall Dock for iPad Air® Devices

DO Install the Device

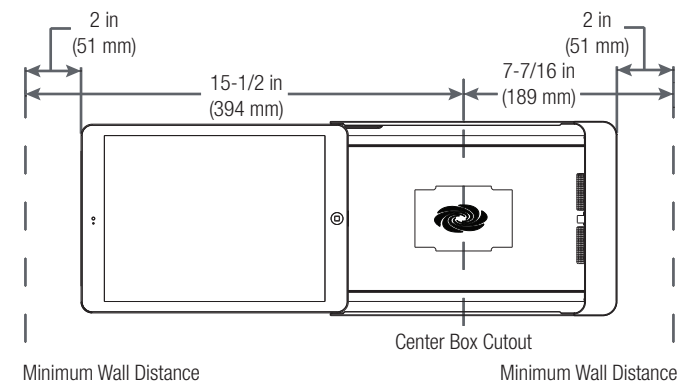
The Crestron® IDOC-PAD-LCA-DSWC and IDOC-PAD-LCA2-DSWC iPanel® Wall Docks feature similar operation. For simplicity within this guide, the term "iPanel" is used except where noted. Similarly, the word "iPad" is used to denote iPad Air and iPad Air2. The iPad® is sold separately.

For the iPad Air, use the IDOC-PAD-LCA-DSWC. For the iPad Air 2, use the IDOC-PAD-LCA2-DSWC.

The Crestron iPanel installs into a standard 2-gang U.S., U.K., or European electrical box. It can also be attached directly to drywall and other surfaces over the front of a 2-3/8" H x 3-3/8" W (60 mm H x 86 mm W) cutout. When installed, it protrudes just 1" (26 mm) from the mounting surface and secures to its included mounting plate with included screws.

Choose a Location

To allow installation and removal of the iPad, the iPanel requires a minimum amount of clearance on both sides. When choosing an installation location, make sure the center of the mounting location has a minimum of 7-7/16" (189 mm) clearance on the closed side of the iPanel and 15-1/2" (394 mm) clearance on the open side of the iPanel, as shown below.



NOTE: Although the iPanel can be mounted with the opening oriented to the right, note that the iPad Air volume buttons face downward in this configuration. This may not be optimal for the end user.

Required Tools

The following are required to install the iPanel.

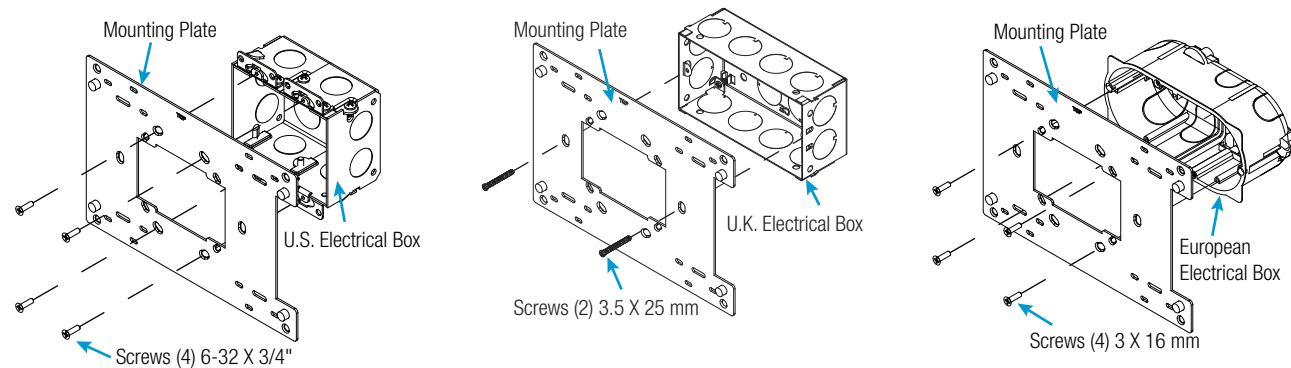
- #2 Phillips screwdriver
- Torx bit (included) and driver (not included)

Install the Device into an Electrical Box

NOTE: A 24 Vdc or PoE cable should already be in the electrical box. The iPanel can use only one source for power.

1. Use the included screws to attach the mounting plate to the electrical box.

- For U.S.-style installations, use the included 06-32 x 3/4" screws.
- For U.K.-style installations, use the included 3.5 x 25 mm screws.
- For European-style installations, use the included 3 x 16 mm screws.



DO Check the Box

QUANTITY	PRODUCT	COLOR	PART NUMBER
1	Bit, Torx, T8		2025915
4	Screw, 6-32 x 3/4", Undercut Head, Phillips		2033247
4	Screw, M3 x 16 mm, Flat Head, Phillips		2013788
4	Screw, 4-40 x 3/4", Pan Head, Phillips		2007184
2	Screw, M3.5 x 25 mm, Flat Head, Phillips		2023756

Items for IDOC-PAD-LCA-DSWC-B-S and IDOC-PAD-LCA2-DSWC-B-S

1	Cover, Front	Black	4519812
1	Plate, Mounting	Black	2040499
2	Screw, 2-56 x 5/16", Pan Head, Torx	Black	2040263
4	Screw, 6-32 x 1/4", Pan Head, Phillips	Black	2007215

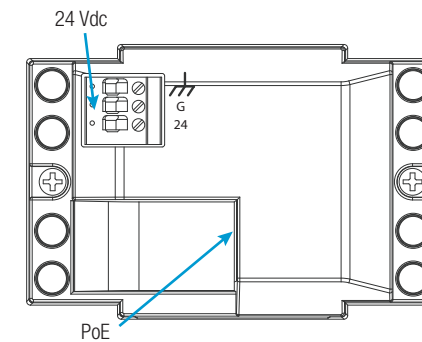
Items for IDOC-PAD-LCA-DSWC-W-S and IDOC-PAD-LCA2-DSWC-W-S

1	Cover, Front	White	4519811
1	Plate, Mounting	White	2039781
2	Screw, 2-56 x 5/16", Pan Head, Torx		2040264
4	Screw, 6-32 x 1/4", Pan Head, Phillips		2007213

2. Connect the 24 Vdc or PoE line and earth ground to the rear of the iPanel.

NOTE: Ensure the unit is properly grounded by connecting the chassis ground terminal to an earth ground (building steel). If PoE is used, an earth ground connection must still be made to the terminal block connector.

NOTE: The iPanel can be connected to 24 Vdc and PoE simultaneously.



3. Lift and remove the plastic cover from the iPanel.

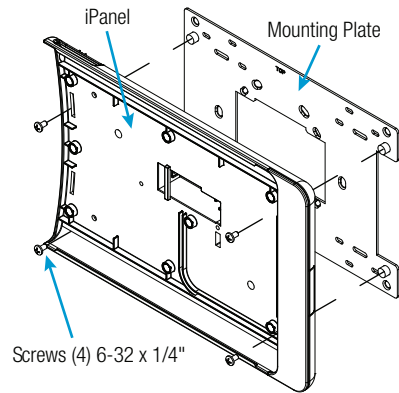


4. Use the Phillips screwdriver to remove the screws and washers that hold the metal plate in place, and remove the metal plate.

NOTE: If necessary, remove the cable holder.

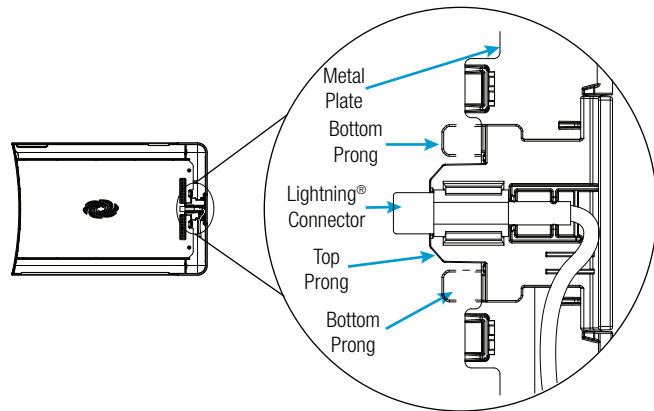


5. Using the included 1/4" screws, attach the iPanel to the mounting plate.



6. Replace the metal plate and secure it to the iPanel using the screws and washers removed in step 4.

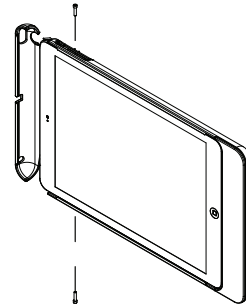
NOTE: When replacing the metal plate, slide the metal plate between the cable holder's top prong and the bottom prongs, as shown in the following diagram.



7. Snap the plastic cover that was removed in step 3 into place.

8. (Optional) Install the antitheft lock.

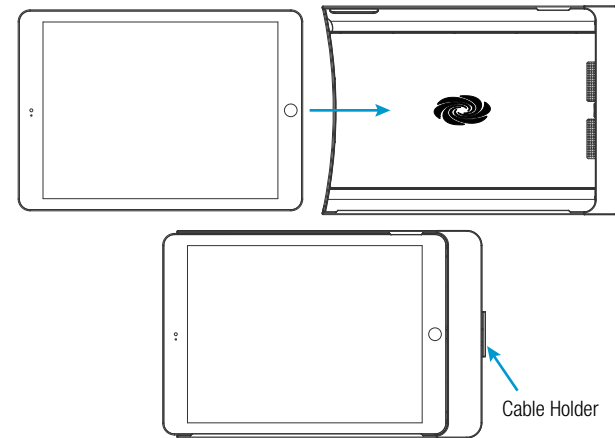
- Place the iPad in the iPanel as described in "Insert the iPad" below.
- Slide the antitheft lock over the end of the iPad, and secure it to the iPanel using the included Torx screws and bit, as shown in the following diagram. Do not overtighten the Torx screws.



DO Use the Device

Insert the iPad

- Hold the iPad horizontally (with the iPad dock connector facing into the dock), and position it so that it rests behind the iPanel's top and bottom retaining lips.
- Slide the iPad into the iPanel until the cable holder pops out, as shown in the following diagram.



- Hold the iPad in place and press the cable holder so that it is flush with the iPanel. The iPad is now connected to the iPanel.

Remove the iPad

To remove the iPad, hold the left side of the iPad and slide it out of the iPanel.

DO Learn More

Visit the website for additional information and the latest firmware updates. To learn more about this product, use a QR reader application on your mobile device to scan the QR images.

Crestron Electronics
15 Volvo Drive, Rockleigh, NJ 07647
888.CRESTRON | www.crestron.com

IDOC-PAD-LCA-DSWC



IDOC-PAD-LCA2-DSWC



CE As of the date of manufacture, the product has been tested and found to comply with specifications for CE marking.

Federal Communications Commission (FCC) Compliance Statement

This device complies with part 15 of the FCC Rules. Operation is subject to the following conditions:

(1) This device may not cause harmful interference and (2) this device must accept any interference received, including interference that may cause undesired operation.

Caution: Changes or modifications not expressly approved by the manufacturer responsible for compliance could void the user's authority to operate the equipment.

Note: This equipment has been tested and found to comply with the limits for a Class B digital device, pursuant to part 15 of the FCC Rules. These limits are designed to provide reasonable protection against harmful interference in a residential installation. This equipment generates, uses and can radiate radio frequency energy and, if not installed and used in accordance with the instructions, may cause harmful interference to radio communications. However, there is no guarantee that interference will not occur in a particular installation.

If this equipment does cause harmful interference to radio or television reception, which can be determined by turning the equipment off and on, the user is encouraged to try to correct the interference by one or more of the following measures:

- Reorient or relocate the receiving antenna.
- Increase the separation between the equipment and receiver.
- Connect the equipment into an outlet on a circuit different from that to which the receiver is connected.
- Consult the dealer or an experienced radio/TV technician for help.

Industry Canada (IC) Compliance Statement

CAN ICES-3(B)/NMB-3(B)

The specific patents that cover Crestron products are listed at <http://www.crestron.com/legal/patents>.

Certain Crestron products contain open source software. For specific information, please visit www.crestron.com/opensource.

Crestron, the Crestron logo, and iPanel are either trademarks or registered trademarks of Crestron Electronics, Inc., in the United States and/or other countries. iPad, iPad Air, and Lightning are either trademarks or registered trademarks of Apple, Inc. in the United States and/or other countries. Other trademarks, registered trademarks, and trade names may be used in this document to refer to either the entities claiming the marks and names or their products. Crestron disclaims any proprietary interest in the marks and names of others. Crestron is not responsible for errors in typography or photography.

This document was written by the Technical Publications department at Crestron.

©2016 Crestron Electronics, Inc.

The product warranty can be found at www.crestron.com/warranty.