

# FT2A-PWR-US Series

## AC Power Outlet Modules for FT2 Series, US NEMA 5, Type B, w/2 Under-Table Outlets & Cord

- > Adds one or more AC power outlets to an FT2 Series FlipTop™
- > Outlets sit nearly flush at the top of the FlipTop for easy access
- > Models available with one, two, or three NEMA 5 type receptacles
- > All models include two additional receptacles below the table
- > Connects to the AC power source via an 8 ft (2.44 m) long power cord with grounded plug
- > Suitable for use in the U.S., Canada, Mexico, and other locales
- > Rated 10 Amps at 125 Volts AC, 50/60 Hz
- > UL® Listed for US and Canada
- > Simple drop-in modular design
- > Single outlet model occupies two module space within the FlipTop
- > Dual outlet model occupies three module space within the FlipTop
- > Triple outlet model occupies four module space within the FlipTop

Crestron® FT2A-PWR-US Series AC Power Outlet Modules are designed for installation within a Crestron FT2 Series FlipTop™ to provide one or more NEMA 5 type receptacles above the table. Three models are offered, providing a choice of one, two, or three outlets per module. Each model also provides two additional outlets below the table. The single outlet module (FT2A-PWR-US-1) occupies two module spaces within the FlipTop, while the dual outlet module (FT2A-PWR-US-2) requires three module spaces, and the triple outlet module (FT2A-PWR-US-3) demands four module spaces.

Each FT2A-PWR-US series module is rated for 10 Amps at 125 Volts AC, 50/60 Hz and is UL® Listed. They are suitable for use in the United States, Canada, Mexico, and other countries or regions where NEMA type power outlets are used (Commerce Department Plug Type B). An 8 foot (2.44 meter) long cord with grounded plug is attached at the bottom of each module for connection to an AC power source below the table.

### SPECIFICATIONS

#### Power Rating

Per Outlet: 10 Amps @ 125 Volts AC, 50/60 HZ

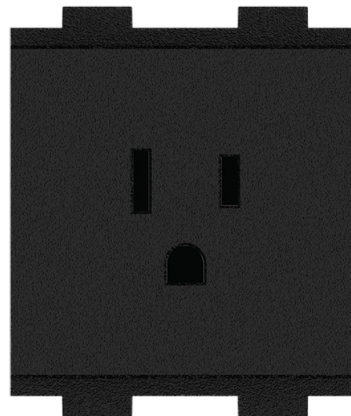
Module Total: 10 Amps @ 125 Volts AC, 50/60 HZ

#### Receptacles & Plugs

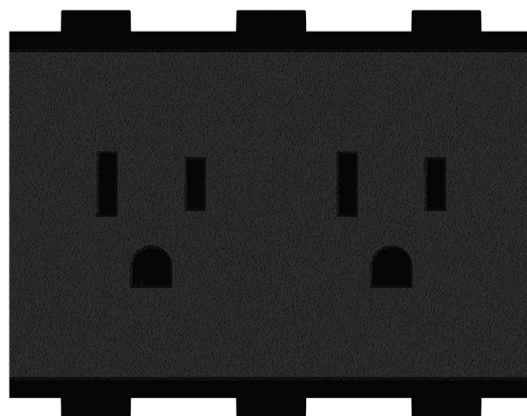
Outlets Above Table: (1, 2, or 3) NEMA 5-15R grounded AC power receptacles, Commerce Dept. Type B

Outlets Below Table: (2) 18 inch (457 mm) attached cables with (1) NEMA 5-15R grounded AC power receptacle per cable

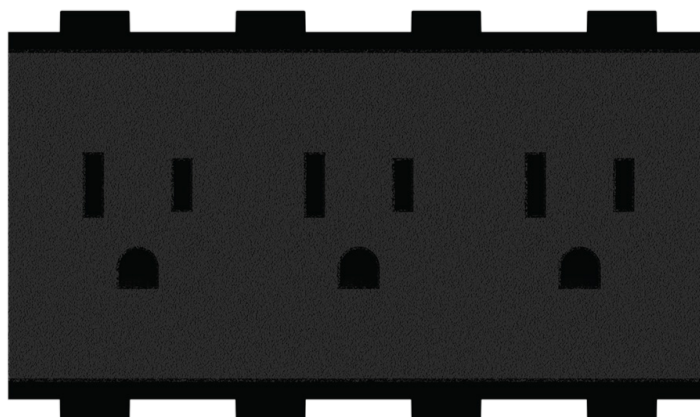
Main Power Plug: (1) 8 foot (2.44 meter) attached cable with NEMA 5-15P grounded AC power plug



Model: FT2A-PWR-US-1

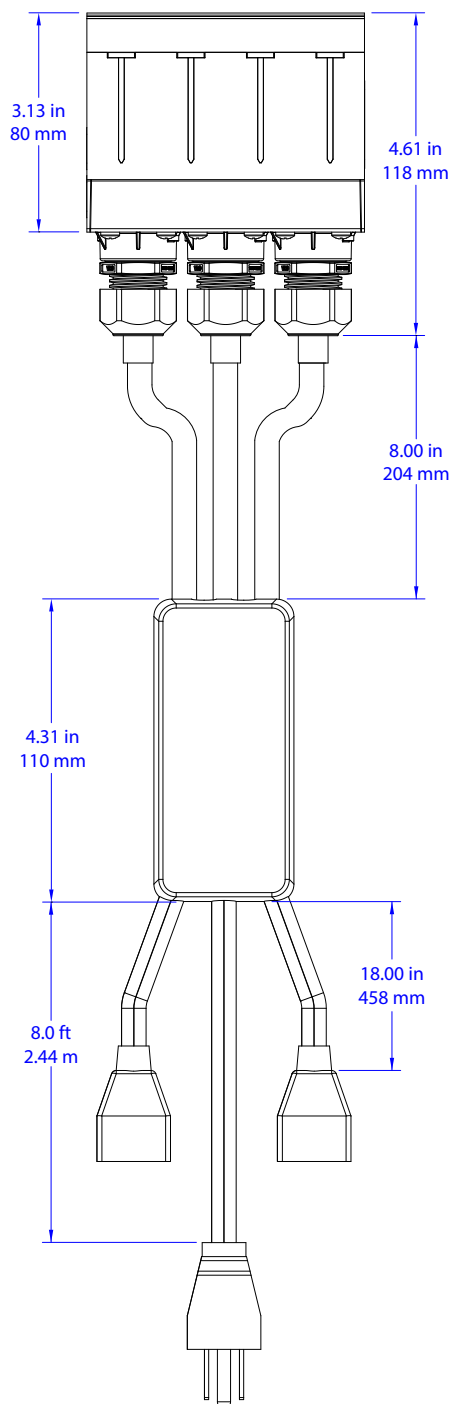
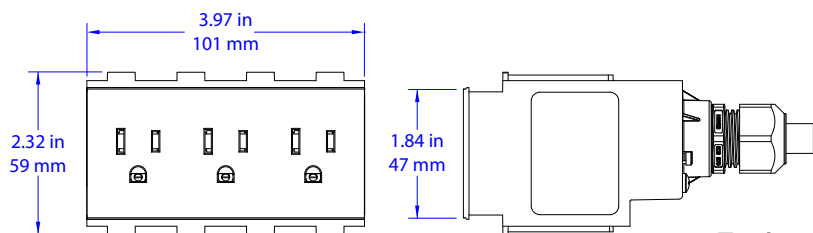


Model: FT2A-PWR-US-2



Model: FT2A-PWR-US-3

# FT2A-PWR-US Series AC Power Outlet Modules for FT2 Series, US NEMA 5



Model: FT2A-PWR-US-3

## Environmental

Temperature: 32° to 113° F (0° to 45° C)  
Humidity: 10% to 90% RH (non-condensing)

## Construction

**Composition:** Precision fit plastic drop-in module, black, includes inline junction capsule with attached cables beneath the table

### Mounting:

- FT2A-PWR-US-1 requires two consecutive module spaces within the FlipTop chassis;
- FT2A-PWR-US-2 requires three consecutive module spaces within the FlipTop chassis;
- FT2A-PWR-US-3 requires four consecutive module spaces within the FlipTop chassis;
- Refer to the dimensional drawings for clearances required to accommodate the inline junction capsule and cabling beneath the table

## Compliance

UL Listed for US & Canada

## Available Models

**FT2A-PWR-US-1:** AC Power Outlet Module for FT2 Series, Single, US NEMA 5, Type B, w/2 Under-Table Outlets & Cord

**FT2A-PWR-US-2:** AC Power Outlet Module for FT2 Series, Dual, US NEMA 5, Type B, w/2 Under-Table Outlets & Cord

**FT2A-PWR-US-3:** AC Power Outlet Module for FT2 Series, Triple, US NEMA 5, Type B, w/2 Under-Table Outlets & Cord

### Notes:

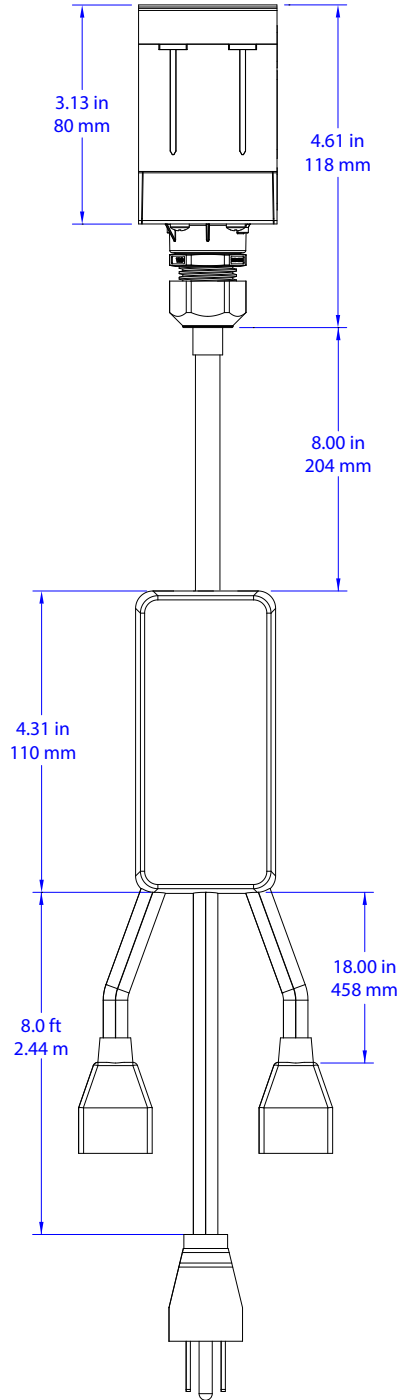
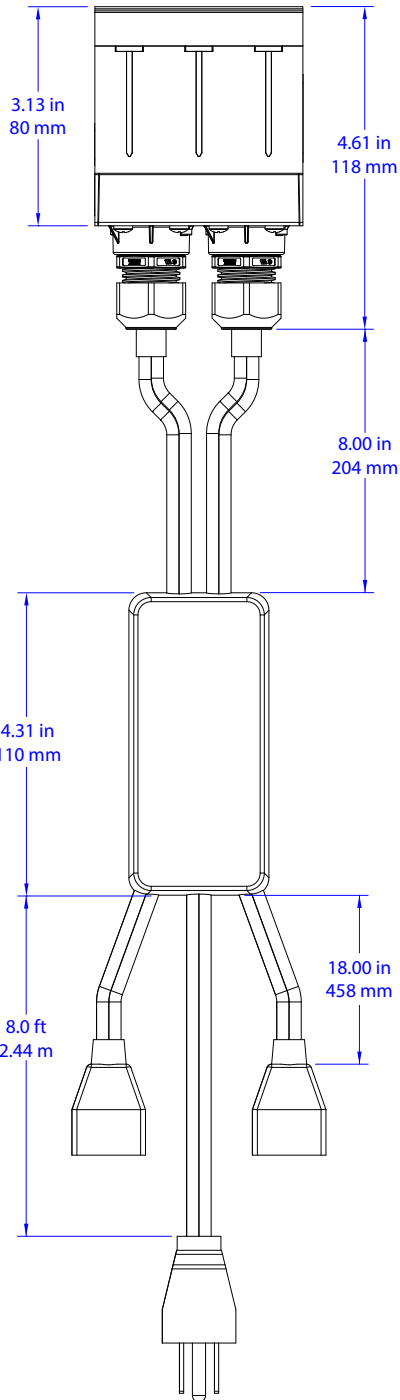
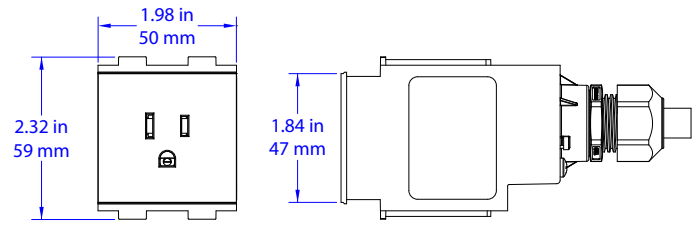
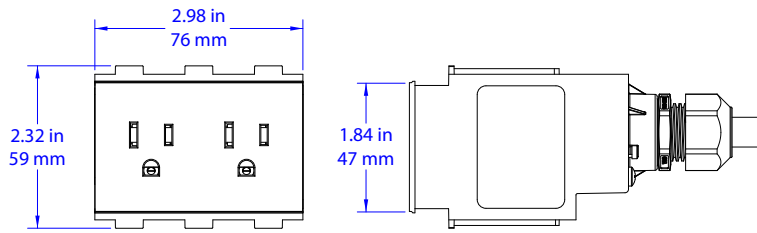
This product may be purchased from an authorized Crestron dealer. To find a dealer, please contact the Crestron sales representative for your area. A list of sales representatives is available online at <https://www.crestron.com/How-To-Buy/Find-a-Representative> or by calling 855-263-8754.

The specific patents that cover this and other Crestron products are listed online at <https://www.crestron.com/legal/patents>.

Certain Crestron products contain open source software. For specific information, please visit <https://www.crestron.com/opensource>.

Crestron, the Crestron logo, and FlipTop are either trademarks or registered trademarks of Crestron Electronics, Inc. in the United States and/or other countries. UL is either a trademark or registered trademark of UL LLC in the United States and/or other countries. Other trademarks, registered trademarks, and trade names may be used in this document to refer to either the entities claiming the marks and names or their products. Crestron disclaims any proprietary interest in the marks and names of others. Crestron is not responsible for errors in typography or photography. Specifications are subject to change without notice.  
©2018 Crestron Electronics, Inc.

# FT2A-PWR-US Series AC Power Outlet Modules for FT2 Series, US NEMA 5



**Model: FT2A-PWR-US-2**

**Model: FT2A-PWR-US-1**