

Multimedia Presentation System 200: MPS-200

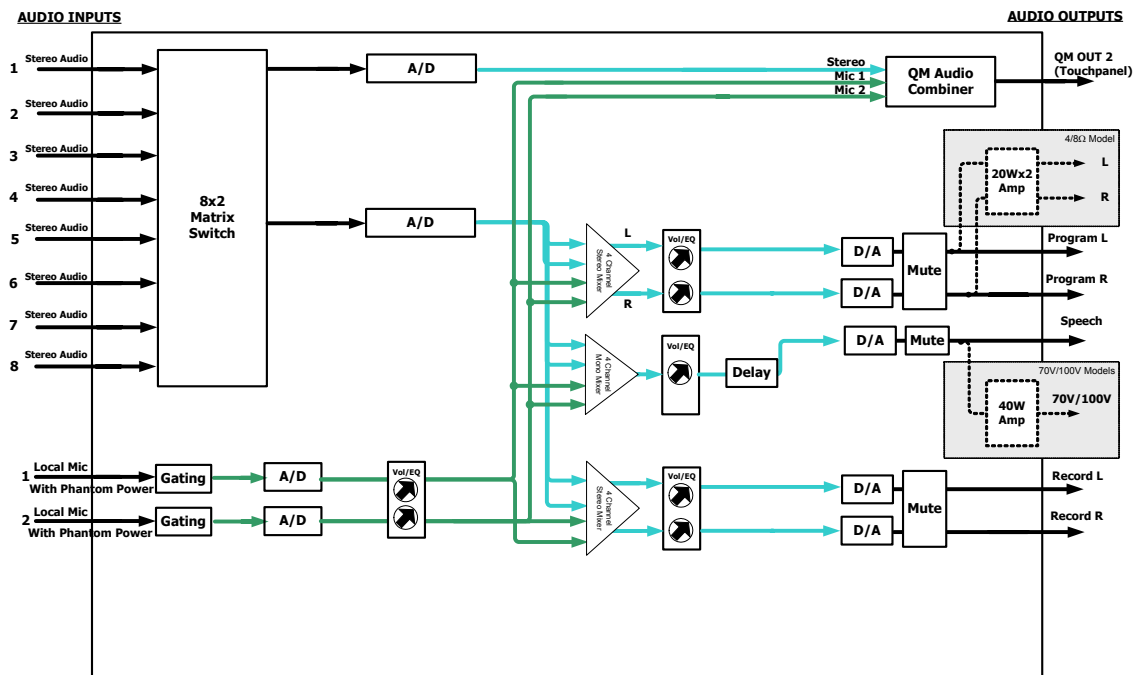
Purpose

The purpose of this addendum is to provide correction to errant information supplied with the original MPS-200 Operations Guide (Doc. 6528B). Specifically, this addendum corrects a block diagram showing the audio capabilities of the MPS-200 on page 6.

Block Diagram

The block diagram showing the audio capabilities of the MPS-200 is incorrect. The correct diagram should be shown as:

Corrected Audio Block Diagram of the MPS-200



NOTE: The MPS-200-70V and MPS-200-100V amplify the **SPEECH** output audio path while the MPS-200 amplifies the **PROGRAM** output audio path.



Crestron Electronics, Inc.
 15 Volvo Drive Rockleigh, NJ 07647
 Tel: 888.CRESTRON
 Fax: 201.767.7576
 www.crestron.com

Addendum #1 for DOC. 6528B

DOC. 6652
 (2020336)
 12.07

Specifications subject to
 change without notice.