

1 Installation

Crestron® FS6 speakers are designed to achieve exceptional sonic performance and wide coverage for a typical classroom or presentation space. The speakers and mounting brackets are available in black (FS6-B) or white (FS6-W), but are identical in all other respects.

The FS6 can be mounted on a surface, such as a wall or mounted in a bookcase or under a shelf.

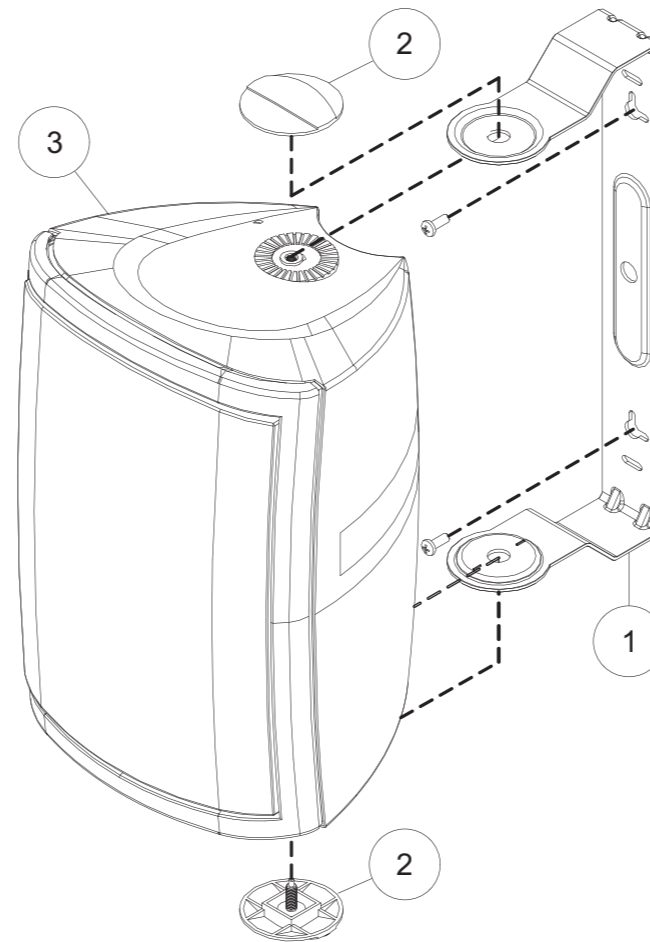
Mounting on a desk top or bookshelf

1. For quick installation on a desk top or bookshelf, simply place on a desk, shelf or other flat surface as desired.
2. Route the speaker wire to the speakers.
3. Strip the ends of the wire approximately 5/8 inch (15 mm) and twist the bared strands.
4. Insert the wire into the speaker terminals, observing the correct polarity (+ wire to + terminal and - wire to - terminal).

Mounting on a wall, ceiling or other flat surface

NOTE: Before starting installation, ensure the wall and wall material is capable of supporting the combined weight of the speakers and the wall mount assemblies.

1. If mounting to drywall, use a stud locator to find the studs in the wall.
2. Mark the location of the mounting bracket's ① two mounting holes on the stud line and drill pilot holes.
3. Place the mounting bracket ① against the wall, aligning the screw holes with the pilot holes in the wall and secure it with two screws (not included).
4. If they are attached to the speakers, remove the circular end caps ② from the top and bottom of the speakers ③ by rotating them counter-clockwise.
5. Gently slide the speaker ③ into the mounting bracket ① and secure it by replacing the circular end caps ② through the mounting bracket and into the top and bottom of the speaker, rotating them clockwise until fully seated.
6. Route the speaker wire to the speakers.
7. Strip the ends of the wire approximately 5/8 inch (15 mm) and twist the bared strands.
8. Insert the wire into the speaker terminals, observing the correct polarity (+ wire to + terminal and - wire to - terminal).



2 Problem Solving

Troubleshooting

The following table provides corrective action for possible trouble situations. If further assistance is required, please contact a Crestron customer service representative.

TROUBLE	POSSIBLE CAUSE(S)	CORRECTIVE ACTION
No sound or intermittent sound from speakers.	Cable connection error.	Verify cable connections between amplifier and speakers.
	Amplifier not receiving input signal or amplifier malfunction.	Verify amplifier is functioning correctly, that it is receiving an input signal and that correct input source is selected.
Constant noise such as buzz, hum or hiss from speakers.	Faulty device in system.	Verify all devices in system are functioning properly.
	System grounding fault.	Verify system grounding.
Poor low frequency output.	Incorrect polarity connection at speaker.	Verify speaker connection polarity (i.e. + on speaker to + on amplifier).

Further Inquiries

If you cannot locate specific information or have questions after reviewing this guide, please take advantage of Crestron's award winning customer service team by calling Crestron at 1-888-CRESTRON [1-888-273-7876]. For assistance in your region, please refer to the Crestron Web site (www.crestron.com/offices) for a listing of Crestron worldwide offices.

You can also log onto the online help section of the Crestron Web site (www.crestron.com/onlinehelp) to ask questions about Crestron products. First-time users must establish a user account to fully benefit from all available features.

Future Updates

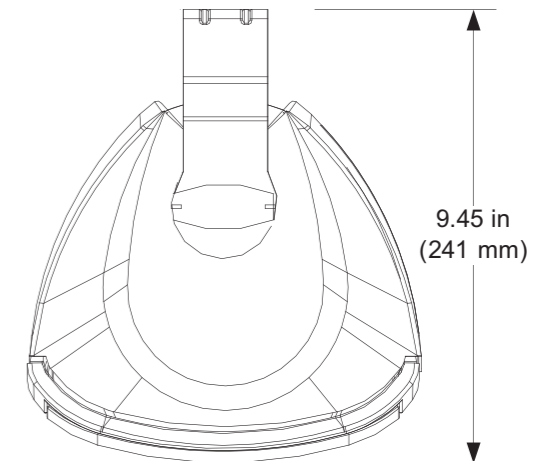
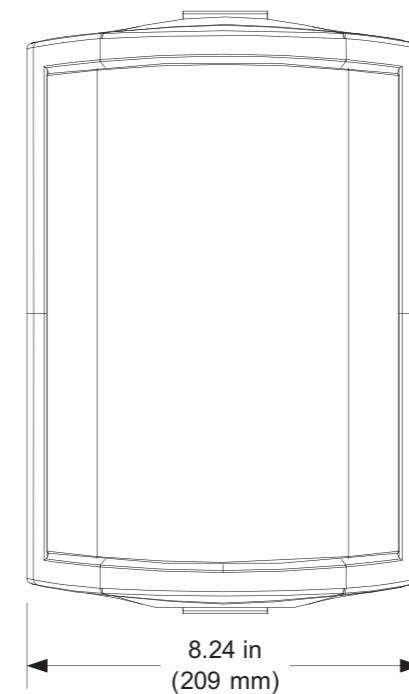
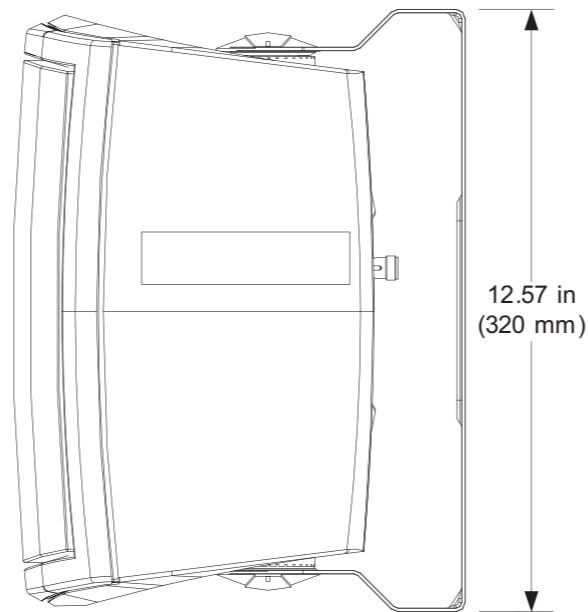
As Crestron improves functions, adds new features and extends the capabilities of the FS6, additional information may be made available as manual updates. These updates are solely electronic and serve as intermediary supplements prior to the release of a complete technical documentation revision.

Check the Crestron Web site periodically for manual update availability and its relevance. Updates are identified as an "Addendum" in the Download column.

3 Specifications

FS6 Specifications

SPECIFICATION	DETAILS
Drivers	
Woofers	6.5 inch (165 mm) long throw with dual tuned bass reflex ports
Tweeter	1 inch (25 mm) wide dispersion soft dome
Frequency Response	56 Hz to 20 kHz (-10 dB)
Recommended Amplifier Power	5 - 120 Watts
Power Handling	80 Watts maximum
Impedance	8 Ohms nominal
Environmental	
Temperature	41° to 104° F (5° to 40° C)
Humidity	10 to 90% RH (non-condensing) Indoor use only
Enclosure	
Cabinet	Contoured high impact plastic with metal grill
Mounting	Adjustable surface mount "C" bracket included
Color	Available in white or black
Dimensions	
Height	12.57 in (320 mm)
Width	8.24 in (209 mm)
Depth	9.45 in (241 mm)
Weight	5.8 lbs (2.7 kg) 6.8 lbs (3.0 kg) with mounting bracket



The specific patents that cover Crestron products are listed at patents.crestron.com.

Crestron and the Crestron logo are either trademarks or registered trademarks of Crestron Electronics, Inc. in the United States and/or other countries. Other trademarks and trade names may be used in this document to refer to either the entities claiming the marks and names or their products. Crestron disclaims proprietary interest in the marks and names of others.

©2012 Crestron Electronics, Inc.