

MSMK-4SM

Multi-Surface Mount Kit for TPMC-4SM(D) & TPCS-4SM(D)

The MSMK-4SM provides a very versatile surface mounting solution for a [TPMC-4SM](#) or [TPMC-4SMD](#) Touch Screen. It is also compatible with [TPCS-4SM](#) and [TPCS-4SMD](#) Touch Screen Control Systems. Using the MSMK-4SM, the touch screen device can be mounted directly to glass, granite, marble, plaster, smooth stone and masonry, or virtually any other flat surface using either the self-adhering mounting plate or screws. An optional angle bracket is included to allow the touch screen to be mounted at a fixed tilt of 20 degrees up or down.

An adhesive backed raceway is also provided for use on smooth surfaces to conceal wires running to the touch screen from the floor or ceiling. The raceway is paintable, and is composed of three 3 foot (0.91 m) sections plus an assortment of elbows and couplings.

SPECIFICATIONS

Dimensions

With touch screen device installed:

- Height:** 3.47 in (89 mm);
3.62 in (92 mm) w/adhesive mounting plate & 20° angle bracket
- Width:** 6.20 in (158 mm)
- Depth:** 1.18 in (30 mm);
1.24 in (32 mm) w/adhesive mounting plate;
2.42 in (62 mm) w/adhesive mounting plate & 20° angle bracket

Available Models

MSMK-4SM-B-S: Multi-Surface Mount Kit for TPMC-4SM(D) & TPCS-4SM(D), Black Smooth

MSMK-4SM-W-S: Multi-Surface Mount Kit for TPMC-4SM(D) & TPCS-4SM(D), White Smooth

Notes:

This product may be purchased from an authorized Crestron dealer. To find a dealer, please contact the Crestron sales representative for your area. A list of sales representatives is available online at www.crestron.com/salesreps or by calling 800-237-2041.

The specific patents that cover Crestron products are listed online at: patents.crestron.com.

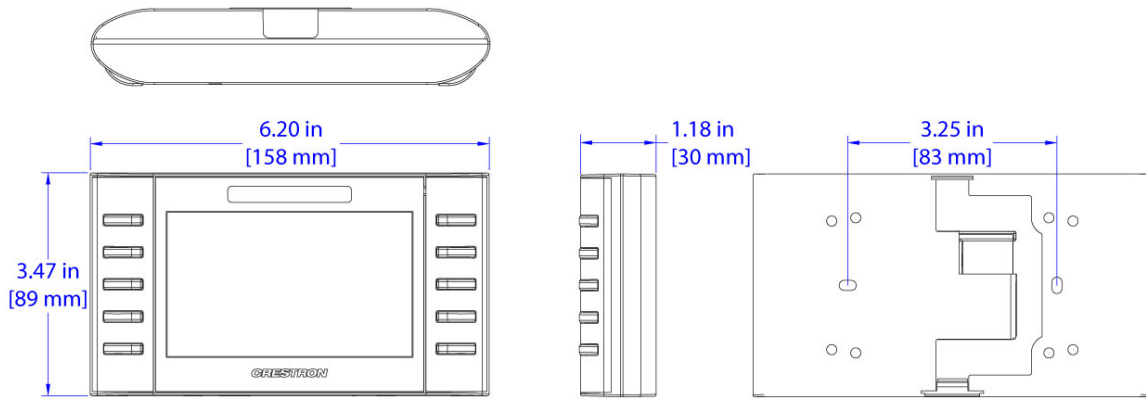
Certain Crestron products contain open source software. For specific information, please visit www.crestron.com/opensource.

Crestron and the Crestron logo are either trademarks or registered trademarks of Crestron Electronics, Inc. in the United States and/or other countries. Other trademarks, registered trademarks, and trade names may be used in this document to refer to either the entities claiming the marks and names or their products. Crestron disclaims any proprietary interest in the marks and names of others. Crestron is not responsible for errors in typography or photography. Specifications are subject to change without notice. ©2016 Crestron Electronics, Inc.

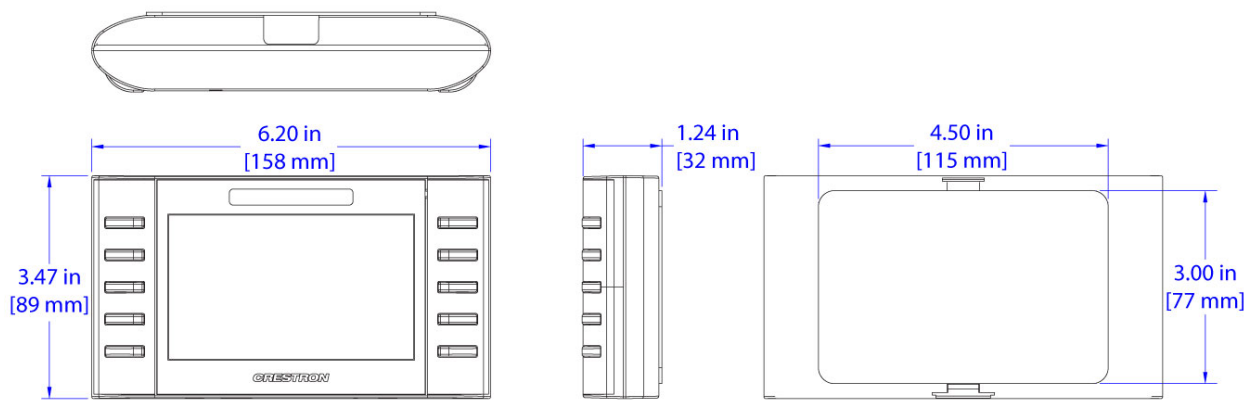


Shown with touch screen device and angle bracket. Touch screen device sold separately.

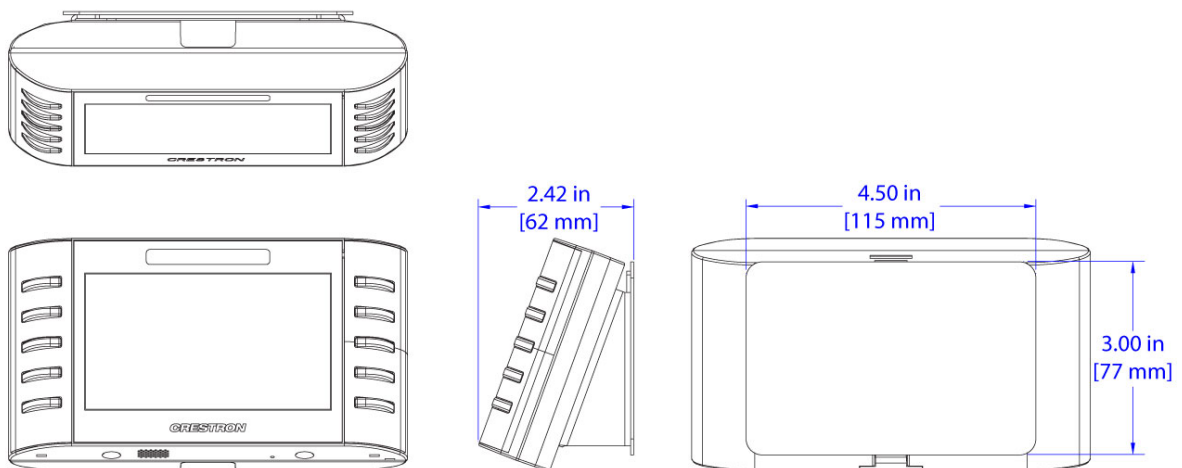
MSMK-4SM Multi-Surface Mount Kit for TPMC-4SM(D) & TPCS-4SM(D)



Shown without angle bracket or mounting plate



Shown with mounting plate



Shown with angle bracket and mounting plate