

SSW-ACR Series

Replacement Acrylic Sign Face for the Room Availability Hallway Sign (SSW Series)

The Crestron® SSW-ACR series is a replacement for the acrylic sign face that is used with the Crestron SSW room availability hallway sign.

For simplicity within this guide, the term "acrylic face" is used to refer to all models in the series, except where otherwise noted.

Check the Box

Item	Qty
SSW-ACR-100, SSW-ACR-100-EL, SSW-ACR-102, or SSW-ACR-102-EL	1

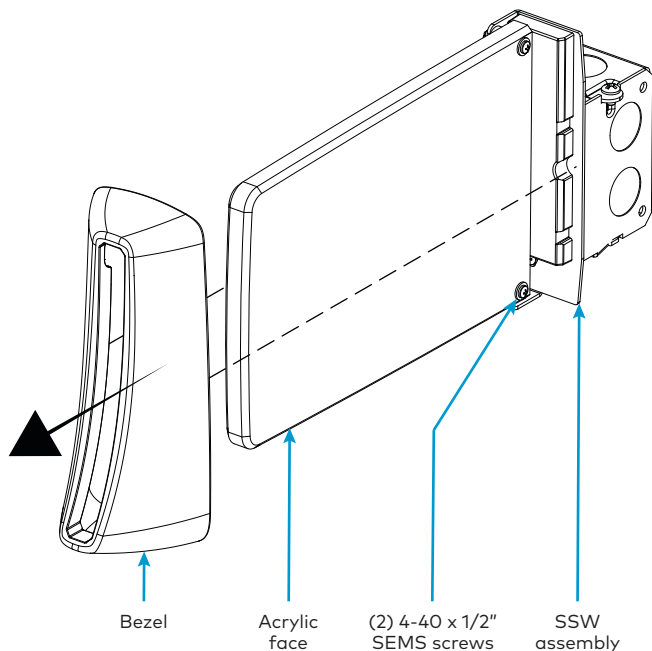
* Refer to the SSW-ACR product page at www.crestron.com for a complete list of color and texture variations.

Install the Replacement Acrylic Face

An installed SSW (Room Availability Hallway Sign) consists of a bezel, acrylic face, mounting hardware, and the SSW assembly. The purpose of the following sections is to disassemble the SSW, replace the acrylic face, and reassemble.

Disassemble the SSW

Remove the Bezel and the Acrylic Face from the SSW Assembly



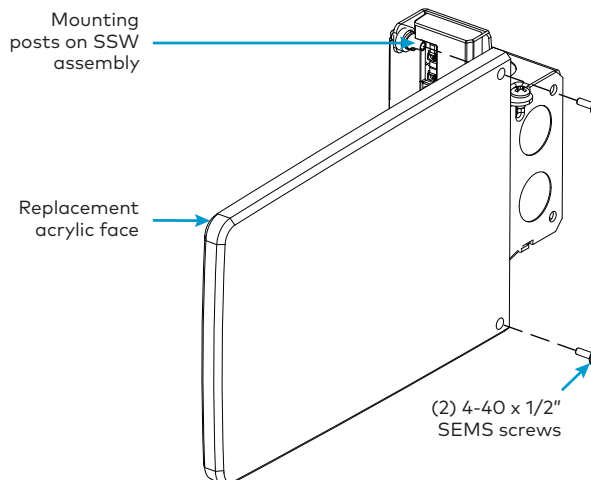
1. Remove the bezel from the SSC assembly by gently pulling it away from the installed sign to break the magnetic hold, then sliding it down and across the acrylic face. Retain the bezel.
2. Using a #1 Philips screwdriver, remove the two 4-40 x 1/2" SEMS screws that hold the acrylic face to the SSW assembly. Retain the screws.

Reassemble the SSW

NOTES:

- Ensure that the SSW assembly is properly mounted before attaching the replacement acrylic face. For more information on installing the SSW, refer to the SSW Series DO Guide (Doc. 7969) at www.crestron.com/manuals.
- Leave the plastic film on the acrylic face during reassembly to protect it.

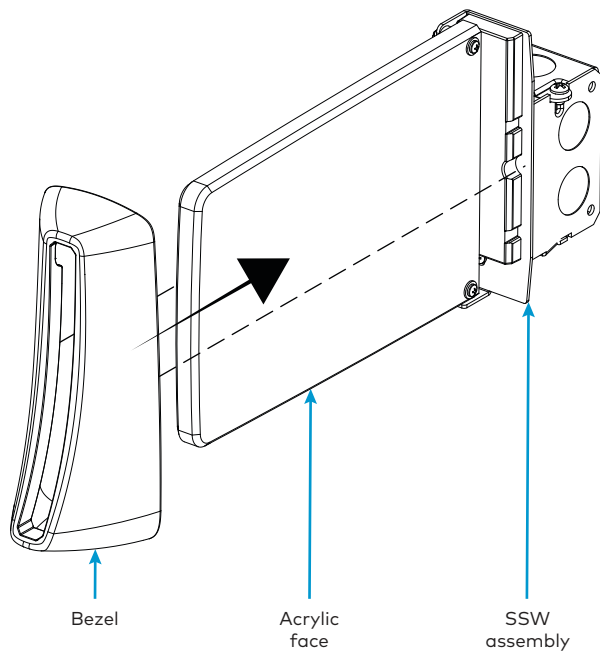
Attach Replacement Acrylic Face



1. Align the two mounting holes on the replacement acrylic face with the mounting posts on the SSW assembly.
2. Attach the acrylic face to the SSW assembly so that the posts on the assembly engage the holes on the acrylic face. The acrylic face stays in place if properly attached to the assembly.
3. Using a #1 Philips screwdriver, secure the acrylic face to the SSW assembly with the two 4-40 x 1/2" SEMS screws retained during the disassembly.
4. Remove the plastic film from the acrylic face.



Attach Bezel



5. Slide the bezel retained during the disassembly carefully over the acrylic face until the magnets on the bezel snap into place against the SSW assembly.

NOTE: The bezel can be attached as shown or inverted with the wider portion at the top and the narrower portion at the bottom.

Additional Information

Scan or click the QR code for detailed product information on the Crestron website.



SSW-ACR-100



SSW-ACR-102

Compliance and Legal

Original Instructions: The U.S. English version of this document is the original instructions. All other languages are a translation of the original instructions.

Regulatory Model: SSW

The product warranty can be found at www.crestron.com/warranty.

The specific patents that cover Crestron products are listed at www.crestron.com/legal/patents.

Certain Crestron products contain open source software. For specific information, please visit www.crestron.com/opensource.

Crestron and the Crestron logo are either trademarks or registered trademarks of Crestron

Electronics, Inc. in the United States and/or other countries. Other trademarks, registered trademarks, and trade names may be used in this document to refer to either the entities claiming the marks and names or their products. Crestron disclaims any proprietary interest in the marks and names of others. Crestron is not responsible for errors in typography or photography.

©2019 Crestron Electronics, Inc.

Crestron Electronics, Inc.
15 Volvo Drive, Rockleigh, NJ 07647
Tel: 888.CRESTRON
Fax: 201.767.7576
www.crestron.com

Quick Start - Doc. 7968B
(2053687)
03.19

Specifications subject to change without notice.