

Crestron Flex Tabletop Medium Room Audio Conference System

The UC-M50-UA Crestron Flex tabletop conferencing system provides a medium room audio conference solution for open-platform UC applications.



In the Box

Tabletop Conference Device

- 1 Tabletop Conference Device (6508227)
- 1 Cable, CAT5e, RJ-45 - RJ-45, 12 ft (3.7 m) (2033988)
- 1 Cable Retention Plate (2047908)
- 3 Tie Wrap (2047935)

Additional Items

- 1 Cable, USB 2.0, A - Micro-B, 6 ft (1.8 m) (6510947)
- 1 Power supply (6500187)



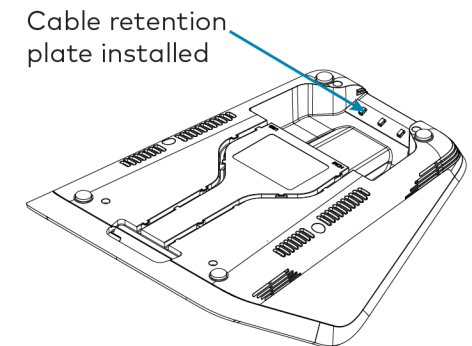
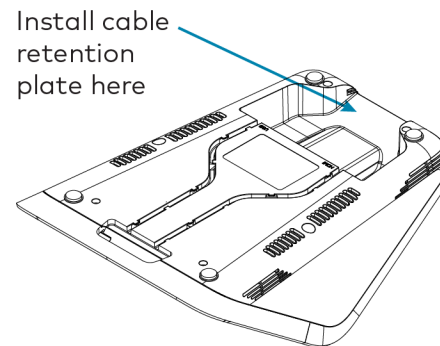
Install the Cable Retention Plate

The included cable retention plate provides tie-down points for cables that connect to the Crestron® conference device.

Remove the adhesive backing from the cable retention plate and install it on the underside of the conference device as shown in the following diagram. Ensure the cable retention plate is firmly attached before securing cables.

CAUTION: When turning over the device, place the device on a soft surface to avoid damage.




NOTE: If a swivel mount kit ([CCS-UCA-SMK](#)) is to be used, use the cable retention bracket included with the swivel mount kit as described in the [CCS-UCA-SMK DO Guide](#) (Doc. 7882).

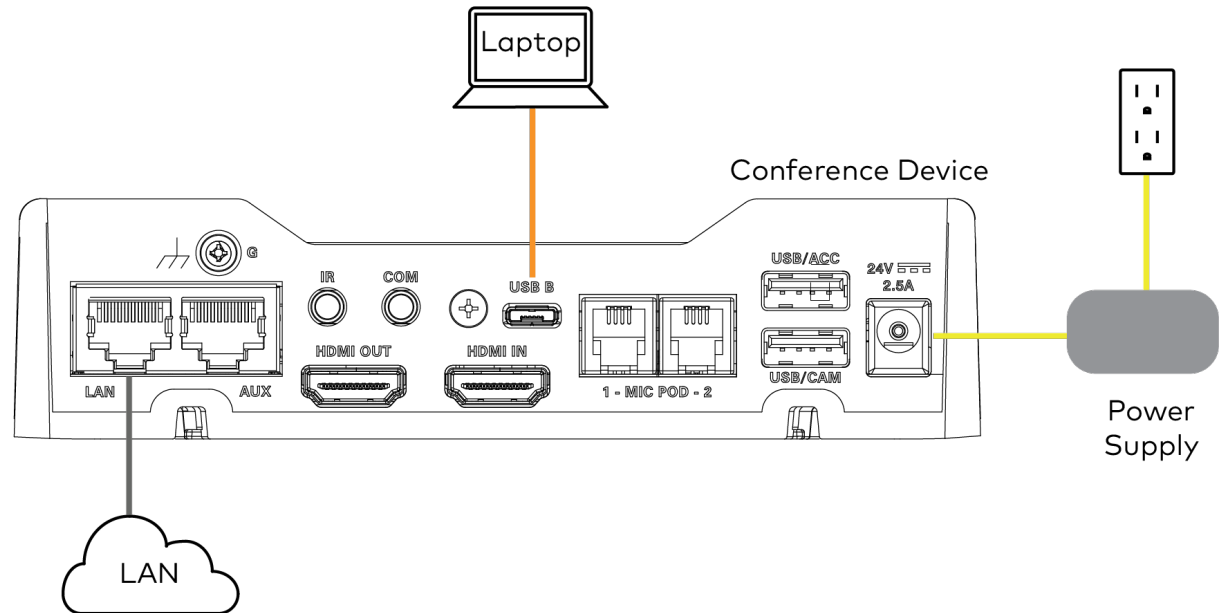


Crestron Flex Tabletop Medium Room Audio Conference System

Connect

Make system connections as shown below.

-  **CAT5e**
12 ft CAT5e cable
-  **Power**
Power Supply
-  **USB**
6 ft USB 2.0 A - Micro-B cable



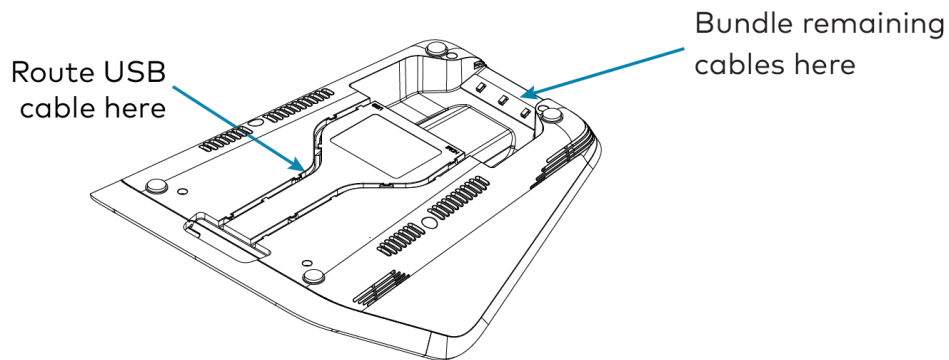
Crestron Flex Tabletop Medium Room Audio Conference System



Bundle Cables

Bundle the cables together and use a provided tie wrap to secure the bundle to one of the positions on the cable retention plate at the rear of the device. Avoid bundling power and data cables together.

Insert the included USB cable into the respective cable channel as labeled on the underside of the conference device and as shown in the following image.



NOTES:

- When routing the USB cable through the channel out of the front of the device, the cable does not need to be bundled. If the system design requires routing the USB cable through the rear of the conference device, the cable should be bundled and secured to the cable retention plate.
- When using a swivel mount kit, do not route the USB cable through the swivel tube.



Configure

Configure the device using the web interface. To access the web interface, enter the device's IP address into a web browser. Select the gear icon in the upper right-hand corner of the screen and enter the username ("admin") and password ("admin") when prompted.

NOTE: To find the device's IP address, tap the information icon on the device's home screen.

For detailed configuration information, refer to the [CCS-UC-1 Product Manual](#) (Doc. 7844).



Visit the Product Page

Scan the QR code to visit the product page.

UC-M50-UA



www.crestron.com/model/6511627

Crestron Flex Tabletop Medium Room Audio Conference System

Additional Information

Original Instructions

The U.S. English version of this document is the original instructions.
All other languages are a translation of the original instructions.

Crestron product development software is licensed to Crestron dealers and Crestron Service Providers (CSPs) under a limited nonexclusive, nontransferable Software Development Tools License Agreement. Crestron product operating system software is licensed to Crestron dealers, CSPs, and end-users under a separate End-User License Agreement. Both of these Agreements can be found on the Crestron website at www.crestron.com/legal/software_license_agreement.

The product warranty can be found at www.crestron.com/warranty.

The specific patents that cover Crestron products are listed at www.crestron.com/legal/patents.

Certain Crestron products contain open source software. For specific information, visit www.crestron.com/opensource.

Crestron and the Crestron logo are either trademarks or registered trademarks of Crestron Electronics, Inc. in the United States and/or other countries. HDMI is either a trademark or registered trademark of HDMI Licensing LLC in the United States and/or other countries. Other trademarks, registered trademarks, and trade names may be used in this document to refer to either the entities claiming the marks and names or their products. Crestron disclaims any proprietary interest in the marks and names of others. Crestron is not responsible for errors in typography or photography.

©2020 Crestron Electronics, Inc.

Doc. 8829A

09/29/20