

Retrofit Mounting Bracket for TSW-1070 Series

The [TSW-1070-RMB-4](#) is a retrofit mounting bracket for [TSW-1070](#) and [TSS-1070](#) series touch screens. The TSW-1070-RMB-4 is used to replace an existing TSW-1060 or TSS-10 series touch screen that is installed over a TSW-760/1060-MSMK multisurface mount kit. The TSW-1070-RMB-4 comes in white or black variants to match the touch screen color.



In the Box

- 1 TSW-1070-RMB-4, Retrofit Mounting Bracket

Additional Items

- 4 Screw, 6-32 x 1/2 in., Phillips (2007241)
- 4 Screw, 6-32 x 3/4 in., Phillips (2033247)

TSW-1070-RMB-4-B Only

- 1 Bracket, Adapter, Black (2058873)

TSW-1070-RMB-4-W Only

- 1 Bracket, Adapter, White (2058872)



Install the Mounting Bracket

To install the TSW-1070-RMB-4 mounting bracket into an existing TSW-760/1060-MSMK installation:

1. Pull the TSW-1060 or TSS-10 out of its mounting bracket and disconnect all cables from the rear of the touch screen.

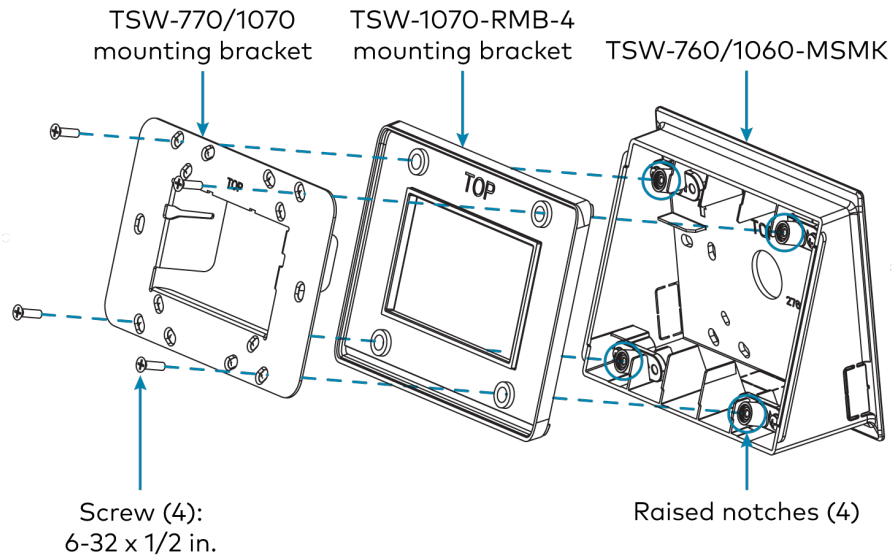
NOTE: If the touch screen is secured to the mounting bracket with a security latch, refer to the removal procedure described in the [TSW-560, TSW-760, and TSW-1070 Quick Start](#) or the [TSS-7 and TSS-10 Quick Start](#).

2. Remove the TSW-760/1060 mounting bracket from the TSW-760/1060-MSMK.
3. Position the TSW-1070-RMB-4 mounting bracket so that the four screw openings in the mounting bracket align with the four raised notches on the TSW-760/1060-MSMK as shown in the image on the following page.

Retrofit Mounting Bracket for TSW-1070 Series

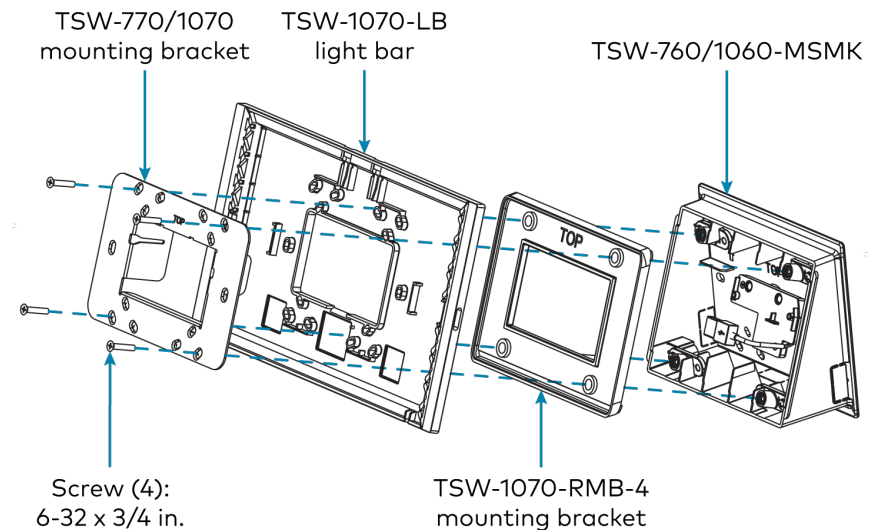
- Use the four 6-32 x 1/2 in. screws to attach the TSW-770/1070 mounting bracket (provided with the touch screen) and the TSW-1070-RMB-4 mounting bracket to the TSW-760/1060-MSMK as shown in the following image. Ensure the "TOP" orientation indicator on both mounting brackets is facing upward prior to installation, and check that the mounting brackets are level after installation.

NOTE: A small number of TSW-1070-RMB-4 mounting brackets were shipped without the "TOP" orientation indicator. Refer to [online help answer ID 1001559](#) for more information on properly orienting these brackets.



If installing a [TSW-1070-LB](#) light bar as part of the MSMK installation, the light bar must be placed between the TSW-770/1070 mounting bracket and the TSW-1070-RMB-4 mounting bracket during this stage of the installation. The four 6-32 x 3/4 in. screws must also be used in place of the 6-32 x 1/2 in. screws. Refer to the following image.

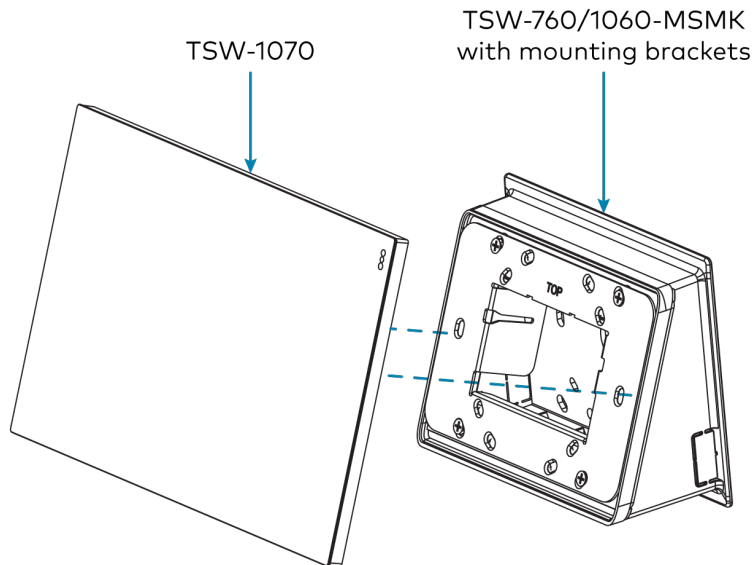
NOTE: For more information on installing the light bar, refer to the [TSW-770-LB and TSW-1070-LB Quick Start](#).



Retrofit Mounting Bracket for TSW-1070 Series

5. Connect all cables to the appropriate ports on the touch screen.
6. Push the touch screen into its mounting bracket.

NOTE: For more information on installing the touch screen, refer to the [TSW-70 Series Product Manual](#) or the [TSS-70 Series Product Manual](#).



Visit the Product Page

Scan the QR code to visit the product page.

TSW-1070-RMB-4



www.crestron.com/model/6512657

Additional Information

Original Instructions

The U.S. English version of this document is the original instructions. All other languages are a translation of the original instructions.

Crestron product development software is licensed to Crestron dealers and Crestron Service Providers (CSPs) under a limited nonexclusive, nontransferable Software Development Tools License Agreement. Crestron product operating system software is licensed to Crestron dealers, CSPs, and end-users under a separate End-User License Agreement. Both of these Agreements can be found on the Crestron website at www.crestron.com/legal/software_license_agreement.

The product warranty can be found at www.crestron.com/warranty.

The specific patents that cover Crestron products are listed at www.crestron.com/legal/patents.

Certain Crestron products contain open source software. For specific information, visit www.crestron.com/opensource.

Crestron and the Crestron logo are either trademarks or registered trademarks of Crestron Electronics, Inc. in the United States and/or other countries. Other trademarks, registered trademarks, and trade names may be used in this document to refer to either the entities claiming the marks and names or their products. Crestron disclaims any proprietary interest in the marks and names of others. Crestron is not responsible for errors in typography or photography.

©2022 Crestron Electronics, Inc.

Doc. 9218B

05/25/22