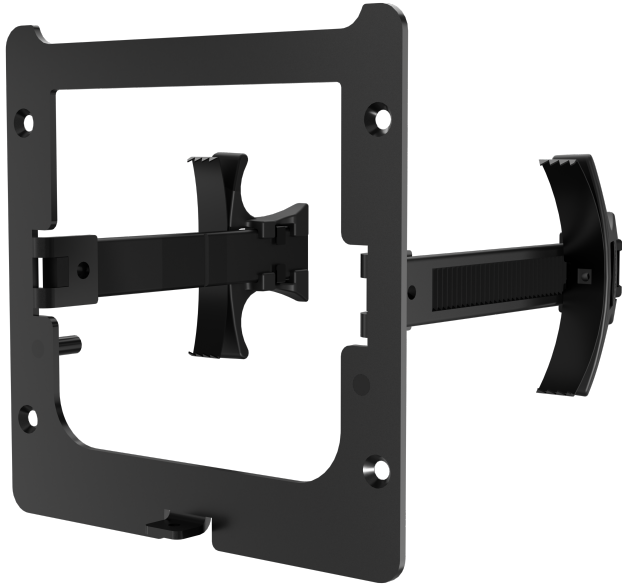


TSS-470E-WMK

Wall Mount Kit for TSS-470E



The [TSS-470E-WMK](#) wall mount kit provides a convenient postconstruction mounting solution for installing a [TSS-470E-B-T](#) desk scheduling touch screen into an existing framed wall, desk, or table. It is specifically intended for postconstruction applications, providing a complete mounting assembly designed to allow quick and easy installation into drywall, paneling, or a tabletop surface. A security screw is also provided to prevent unauthorized removal of the touch screen from the WMK.

Specifications

Construction

Metal mounting plate with zip rail mounting system

Dimensions

Height	3.79 in. (96 mm)
Width	4.15 in. (106 mm)
Depth	3.59 in. (91 mm)

Weight

3.8 oz (108 g)

Model

TSS-470E-WMK

Wall Mount Kit for TSS-470E

This product may be purchased from select authorized Crestron dealers and distributors. To find a dealer or distributor, please contact the Crestron sales representative for your area. A list of sales representatives is available online at www.crestron.com/How-To-Buy/Find-a-Representative or contact us for additional information by visiting www.crestron.com/contact/our-locations for your local contact.

The original language version of this document is U.S. English. All other languages are a translation of the original document.

The product warranty can be found at www.crestron.com/warranty.

The specific patents that cover Crestron products are listed online at www.crestron.com/legal/patents.

Certain Crestron products contain open source software. For specific information, please visit www.crestron.com/opensource.

Crestron and the Crestron logo are either trademarks or registered trademarks of Crestron Electronics, Inc. in the United States and/or other countries. Other trademarks, registered trademarks, and trade names may be used in this document to refer to either the entities claiming the marks and names or their products. Crestron disclaims any proprietary interest in the marks and names of others. Crestron is not responsible for errors in typography or photography.

Specifications are subject to change without notice.

©2024 Crestron Electronics, Inc.

Rev 12/13/24

TSS-470E-WMK

Wall Mount Kit for TSS-470E

