

4x2 4K60 4:2:0 AV Switcher

The Crestron® [HD-MD402](#) is a 4K60 4:2:0 AV switcher that provides a cost-effective solution for professional AV applications. The HD-MD402 provides four HDMI® inputs, one mirrored HDMI and DM Lite® output, and one independent DM Lite output.



In the Box

- 1 HD-MD402 AV Switcher

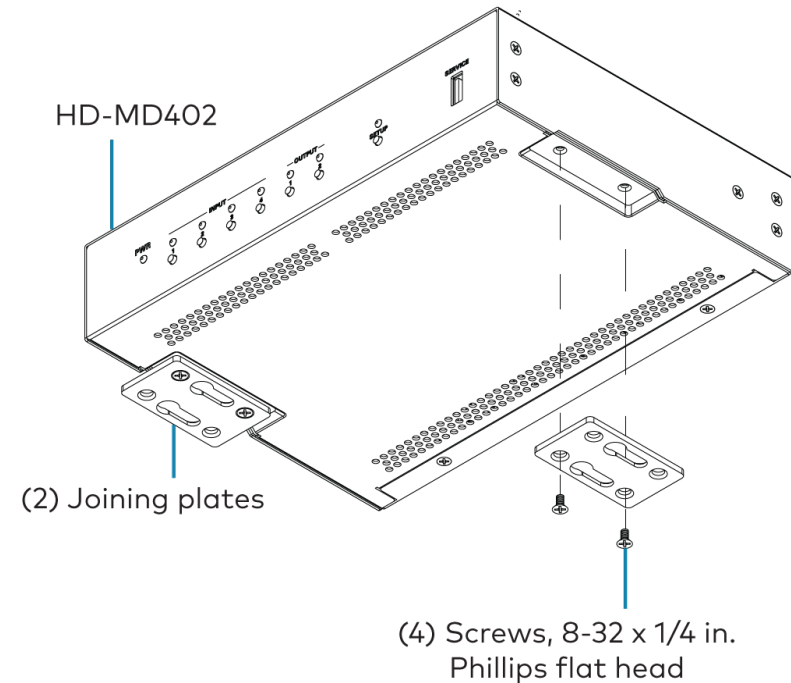
Additional Items

- 1 Power Pack, 24VDC 2.5A, 100-240VAC (2045873)
- 1 Power Cord, 5 ft 10 in. (1.78 m) (2042043)
- 2 Connector, 3-pin (2003575)
- 2 Joining Plate (2056665)
- 4 Joining Plate Screw, 8-32 x 1/4 in., Flat Head, Phillips, Black (2056664)
- 2 Anchor, Wall, Plastic, Self Drill, 8 x 1-5/8 in. (2053825)
- 2 Screw, 8-15 x 3/4 in., Type A, Flat Head, Phillips, Black (2053836)



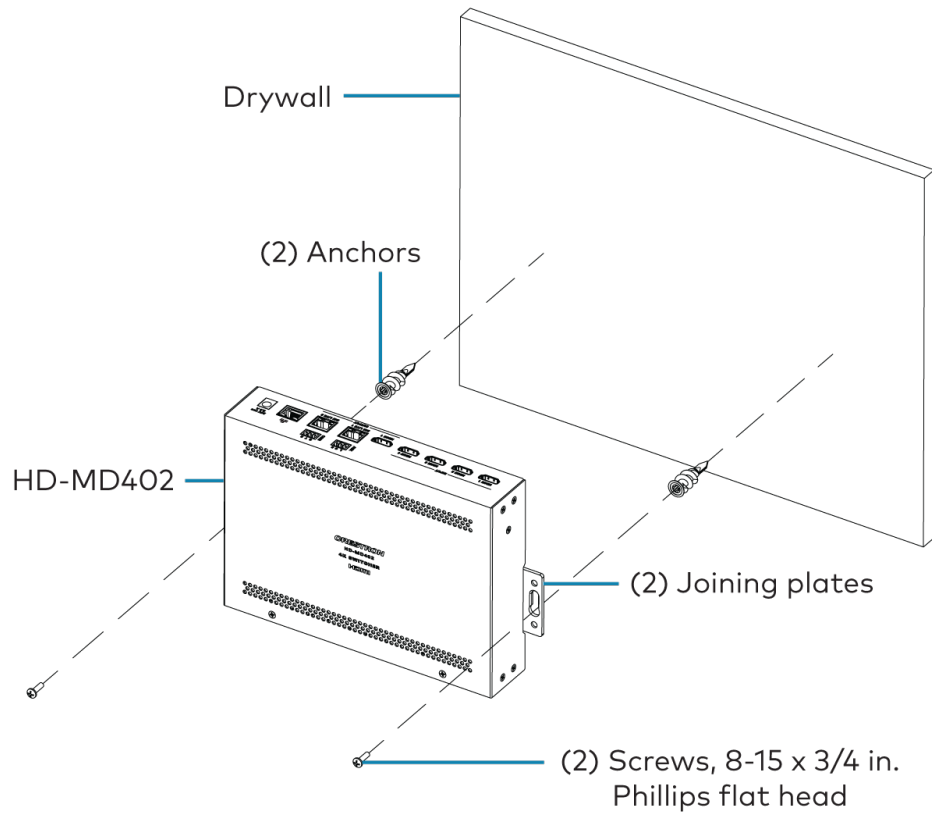
Install the Device

1. Attach the two included joining plates to the underside of the device using the four included 8-32 x 1/4-inch Phillips flat head screws (two screws for each side of the device).



4x2 4K60 4:2:0 AV Switcher

- Using the two included anchors and two included 8-15 x 3/4-inch Phillips flat head mounting screws, mount the device onto a flat surface such as a wall.



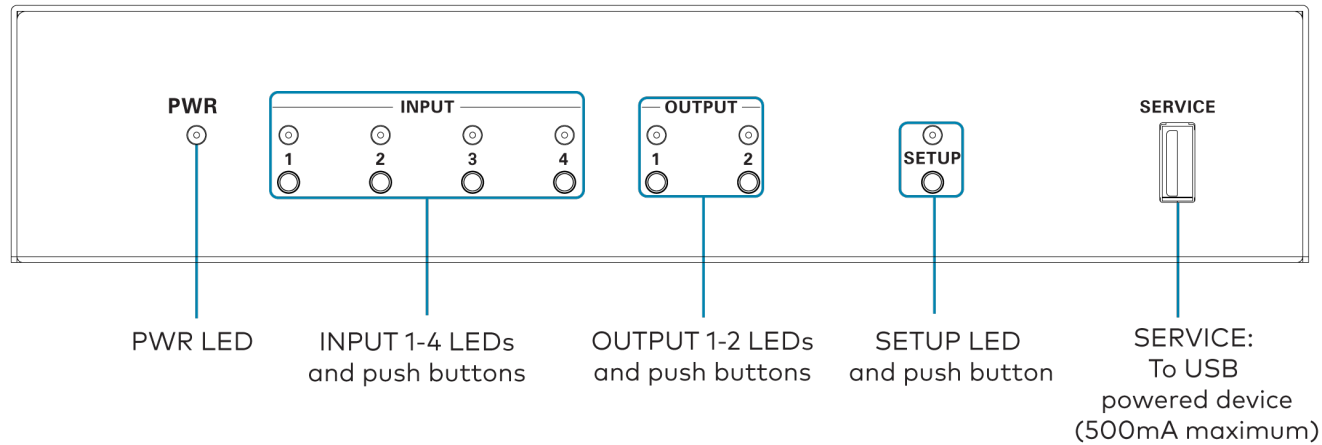
4x2 4K60 4:2:0 AV Switcher



Connect the Device

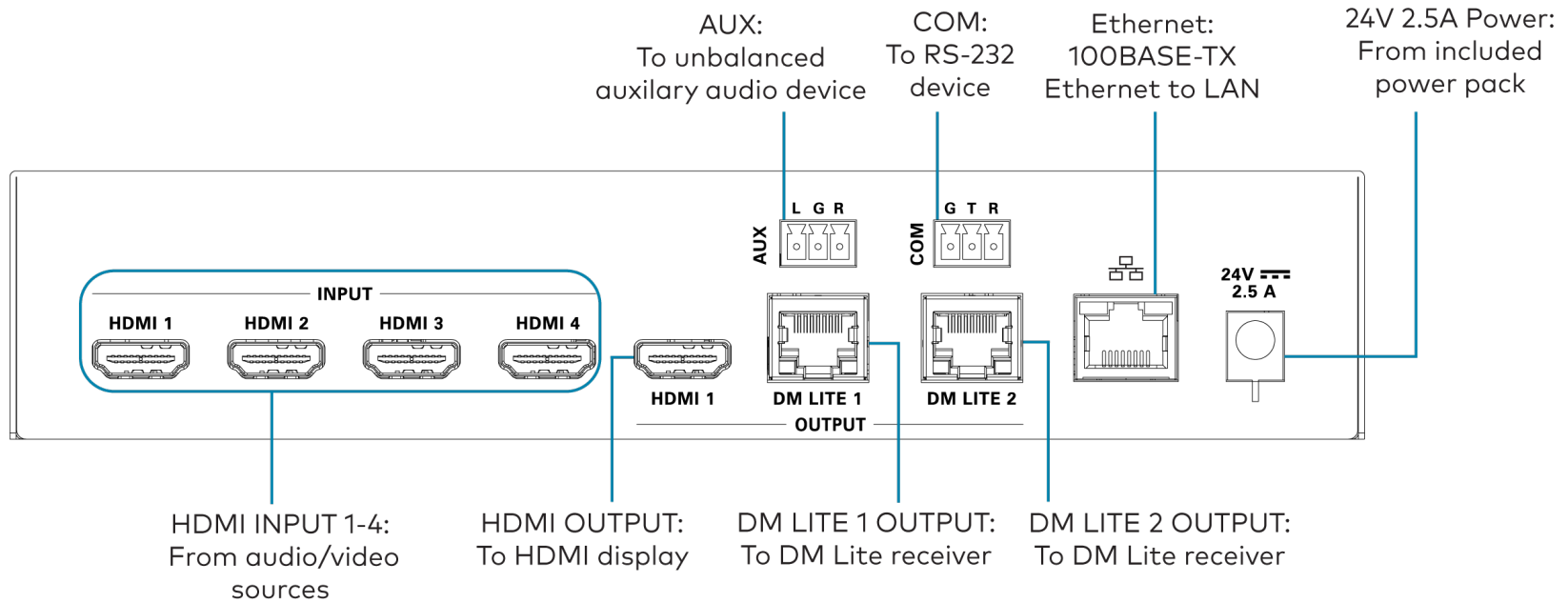
Connect the front and rear panel of the device as required for the application.

Front Panel



4x2 4K60 4:2:0 AV Switcher

Rear Panel Connections



4x2 4K60 4:2:0 AV Switcher

NOTES:

- HDMI 1 and DM LITE 1 provide a mirrored output that displays the same image on two display devices. DM LITE 2 provides an output on a third display device. The DM Lite 2 output is independent of the mirrored HDMI 1 and DM LITE 1 output.
- Supported DM Lite receivers are the [HD-RX-101-C-E](#), [HD-RXC-101-C-E](#), [HD-RX-101-C-1G-E](#), and [HD-RXC-101-C-1G-E](#).
- The power connection powers the HD-MD402 and all devices connected to the DM Lite output ports. Power should not be connected to the HD-MD402 and DM Lite receivers simultaneously.



Upgrade the Firmware

Before using the device, upgrade the firmware. The latest firmware can be downloaded from the [HD-MD402](#) product page on the Crestron website (www.crestron.com).



Configure the Device

Configure the device using the web interface. To access the web interface, open a web browser and then go to the IP address of the device.

NOTE: By default, the IP address of an HD-MD402 device is assigned by a DHCP server on the network. If a DHCP server does not exist on the network, the IP address defaults to a link-local address in the 169.254.xxx.xxx range. To display the IP address on the connected display, press the **SETUP** button on the front panel of the device.

If no account has been created, create an account by entering a user name and password. After an account is created, log in to the web interface by entering the user name and password.

4x2 4K60 4:2:0 AV Switcher



Observe the LED Indicators

Refer to the following table for information about the LED indicators on the device.

LED Indicator	Color	Meaning
PWR	Amber	Power is being applied to the device. The device is booting.
	Green	Power is being applied to the device. The device is operational.
SETUP	Red	The SETUP button is pressed.
Ethernet	Green	A 100BASE-TX link is established.
	Flashing amber	Data activity is occurring on the Ethernet link.
INPUT 1-4	Green	The corresponding input is routed to an output.
	Amber	A source is detected at the corresponding input but is not routed to an output.
OUTPUT 1-2	Green	A display or other destination device is detected and the corresponding output is transmitting video.
	Amber	A display or other destination device is detected but no video is routed to the corresponding output.
DM LITE 1-2	Green	A DM Lite link is established.
	Flashing amber	Non-HDCP video is detected.
	Solid amber	HDCP video is detected.



Visit the Product Page

Scan the QR code to visit the product page.

HD-MD402



www.crestron.com/model/6511676

4x2 4K60 4:2:0 AV Switcher



Important Instructions

Important Safety Instructions

WARNING: When using this product, basic precautions should always be followed, including the following:

1. Read these instructions carefully.
2. All cautions and warnings should be followed.
3. The equipment should only be used at maximum 40°C (104°F) ambient temperature.
4. Opening the equipment could result in electrical shock and should only be done by qualified service personnel.
5. Protect equipment from humidity.
6. Do not insert foreign objects or liquids into the openings, this could cause a fire or electrical shock.
7. Do not use chemical detergents to clean your device, use a soft dry cloth.
8. To avoid damage from electrical peaks unplug the device when it is not in use.
9. If one of the following situations arise, equipment has to be checked by qualified service personnel:
 - Liquid has penetrated into the equipment.
 - Equipment has been exposed to humidity.
 - Equipment has been dropped and/or is damaged.
 - Equipment has obvious sign of breakage.
 - Equipment does not work well or you cannot get it working according to user's manual.
10. Do not expose the equipment to water or place objects filled with water on top of it.



Instructions Importantes

Instructions de sécurité importantes

Les avertissements: concernant l'utilisation de ce produit doivent toujours être fondés sur les précautions fondamentales, notamment:

1. Lisez attentivement ces notes.
2. Tous les avertissements et avvertissements doivent être respectés.
3. L'équipement ne peut être utilisé qu' à une température ambiante maximale de 40 °C (104 °F).
4. L'ouverture de l'appareil peut provoquer un choc électrique qui ne peut être assuré que par un personnel d'entretien qualifié.
5. Empêcher l'humidité du dispositif.
6. Il est interdit d'introduire des objets étrangers ou liquides dans l'ouverture, faute de quoi cela pourrait provoquer un incendie ou un choc électrique.
7. Ne pas utiliser d'appareil de nettoyage chimique et utiliser un tissu sec souple.
8. Pour éviter les dommages de crête électrique, retirez la fiche d'alimentation lorsque le dispositif n'est pas utilisé.
9. Dans l'un des cas énoncés ci dessous, le matériel doit être vérifié par un service qualifié:
 - Dispositif d'infiltration de liquide.
 - L'équipement est exposé à l'humidité.
 - Matériel tombé et / ou endommagé.
 - L'équipement a été endommagé.
 - Le matériel ne fonctionne pas correctement ou ne peut pas être utilisé conformément au Manuel de l'utilisateur.

4x2 4K60 4:2:0 AV Switcher

10. L'équipement ne doit pas être exposé à l'eau ni être placé sur des objets remplis d'eau.

Additional Information

Original Instructions

The U.S. English version of this document is the original instructions. All other languages are a translation of the original instructions.

Regulatory Model: M202028001

Crestron product development software is licensed to Crestron dealers and Crestron Service Providers (CSPs) under a limited nonexclusive, nontransferable Software Development Tools License Agreement. Crestron product operating system software is licensed to Crestron dealers, CSPs, and end-users under a separate End-User License Agreement. Both of these Agreements can be found on the Crestron website at www.crestron.com/legal/software_license_agreement.

The product warranty can be found at www.crestron.com/warranty.

The specific patents that cover Crestron products are listed at www.crestron.com/legal/patents.

Certain Crestron products contain open source software. For specific information, visit www.crestron.com/opensource.

Crestron, the Crestron logo, and DM Lite are either trademarks or registered trademarks of Crestron Electronics, Inc. in the United States and/or other countries. HDMI and the HDMI logo are either trademarks or registered trademarks of HDMI Licensing LLC in the United States and/or other countries. Other trademarks, registered trademarks, and trade names may be used in this document to refer to either the entities claiming the marks and names or their products. Crestron disclaims any proprietary interest in the marks and names of others. Crestron is not responsible for errors in typography or photography.

HDMI

©2021 Crestron Electronics, Inc.

Doc. 8890C

02/16/21