

## iMedia FlipTop Computer Center



- > Flush-mount tabletop computer interface
- > Streamlined user controls for foolproof operation
- > iMedia Transport for fast and easy single-cable installation
- > Supports XGA resolution up to 84 feet, UXGA maximum up to 34 feet
- > Easy pull-out cables and AC power outlet
- > Complete system setup in minutes using iMedia Wizard Software

Crestron's iMedia provides an extremely simple and affordable multimedia presentation solution for small conference rooms and training rooms. No comparable solution comes close to matching iMedia's speed and ease of installation, intuitive operation, and incredibly low cost.

**The iMedia Transport**—The iMedia transport utilizes a single CAT5e\* type cable to transmit computer RGB, video, and stereo audio signals to a single projector or plasma display. A typical XGA signal (1024 X 768 pixels at 60Hz) can be transmitted up to 84 feet using iMedia, while higher resolutions up to 1600 x 1200 can be handled over shorter distances. Audio is transmitted digitally at 20-bit, 48 kHz resolution. Control and power signals are also contained on the same wire, eliminating the need for separate control or power cables.

**FlipTop Computer Interface**—The IM-FTCC-B is an iMedia (IM) transmitter designed to install flush in a tabletop surface to provide a convenient and low-profile interface solution. Beneath the "FlipTop" lid, a recessed compartment contains easy pull-out RGB and audio cables to facilitate the connection of a single computer source. The cables stow neatly within the compartment when not in use. Excess cable simply drops out-of-sight below the box through grommets holes provided in the bottom plate. An additional hole is available to accommodate a third-party LAN cable if needed.

For complete connectivity, the IM-FTCC-B also includes an AC power receptacle. Installing wiring for the IM-FTCC-B is extremely simple requiring just a single CresCAT-IM cable. Up to three IM-FTCC-B's, or other IM transmitters, may be installed as part of a complete system to provide multiple input locations within the room.

**Foolproof Operation**—Every iMedia system is easy and intuitive to use. A single press of the large SELECT button inside the compartment lowers the screen or lift, turns on the projector (or plasma, etc.) and routes the connected computer signal to the appropriate input. The front panel volume control affords easy adjustment of the audio level, and the entire system can be turned off at any time by simply holding the Select button for 5 seconds.

For systems having more than one IM transmitter, selecting an input at a given input location overrides the previously selected input at any other location. The audio level for each input location is controlled individually by its respective volume control.

### SPECIFICATIONS

#### RGB

**Gain:** 0dB (75 ohm termination)

**Formats:** RGBHV, RGBS, or RG<sub>S</sub>B

**Resolution:** 1024 x 768 @ 60Hz with maximum cable length of 84 feet, 1600 x 1200 @ 60Hz with maximum cable length of 34 feet; see manual for other resolutions

#### Audio

**A-D Conversion:** 20-bit, 48 kHz

**Frequency Response:** 20Hz to 20kHz ±1dB

#### Connectors - Front Panel

**125V:** (1) 3-prong grounded AC socket, AC power pass-thru outlet  
Maximum Load: 10 Amps @ 125 Volts AC, 50/60 Hz

#### Connectors - Bottom Panel

**COMPUTER:** (1) DB15HD female, RGB(VGA) input

Formats: RGBHV, RGBS, RG<sub>S</sub>B

Input Impedance: 75 ohms

Sync Impedance: 1k ohms

Maximum Input Level: 1 V<sub>p-p</sub>

Maximum Sync Level: 5 V<sub>p-p</sub>

Connects to 6 ft VGA patch cable (included)

**AUDIO:** (1) 3.5mm TRS mini phone jack, unbalanced stereo line-level audio input

Maximum Input Level: 2 V<sub>RMS</sub>

Input Impedance: 10k ohms

Connects to 6 ft mini-TRS audio patch cable (included)

**IM:** (1) 8-wire RJ45 female, iMedia output port

Connects to IM input port of an iMedia receiver via CresCAT-IM cable\*

**G:** (1) 6-32 screw, chassis ground lug

**125V:** (1) 6 ft grounded AC line cord, passes through to front panel AC power outlet

#### Controls & LED Indicators

**SELECT:** (1) Momentary pushbutton with green LED

Momentary press initiates "system power on" command and selects local COMPUTER input; press and hold for 5 seconds or more initiates "system power off"

**VOLUME:** (1) Rotary knob, adjusts audio level for local input

#### Power Requirements

Power is provided by the IM receiver via the IM transport

#### Environmental

**Temperature:** 41° to 104°F (5° to 40°C)

**Humidity:** 10% to 90% RH (non-condensing)

#### Enclosure

Black metal; flush tabletop mountable

#### Dimensions

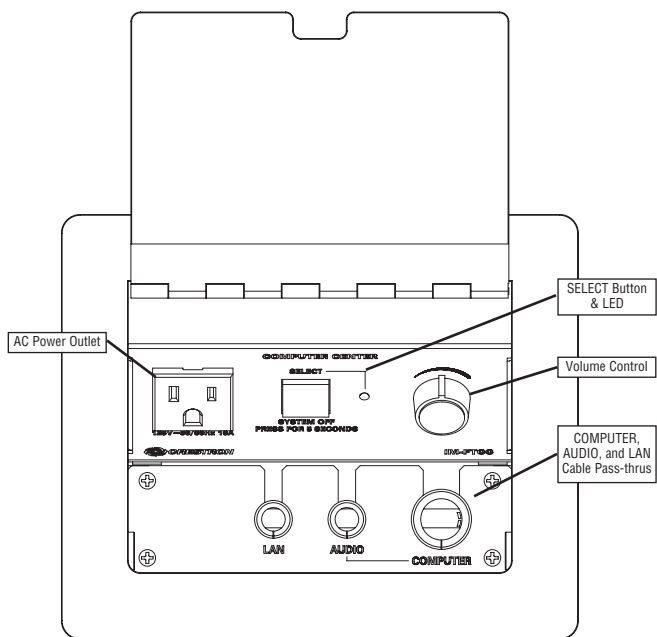
**Height:** 4.63 in (11.76 cm) – with lid closed

**Width:** 6.84 in (17.38 cm)

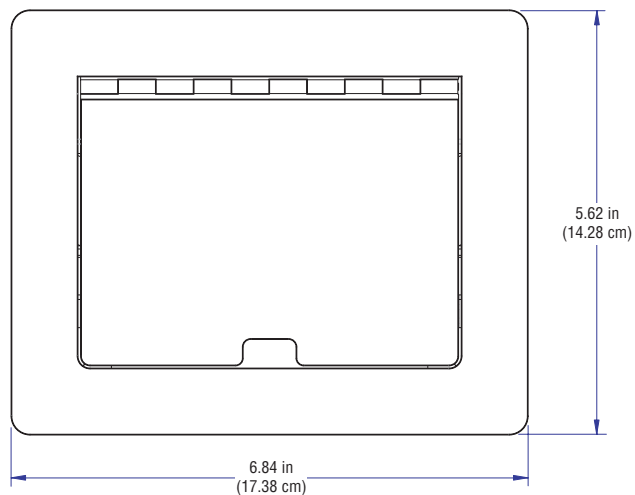
**Depth:** 5.62 in (14.28 cm) – without mounting brackets

#### Weight

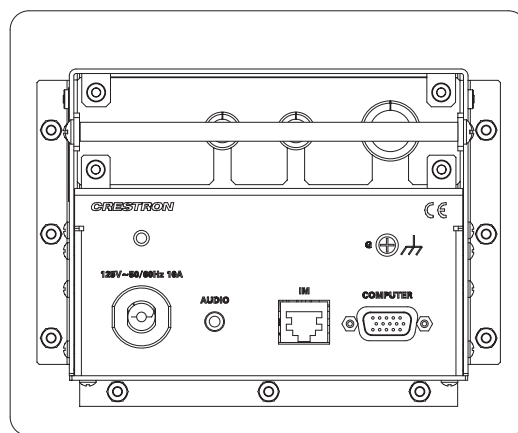
3.65 lbs (1.66 kg) – with cables



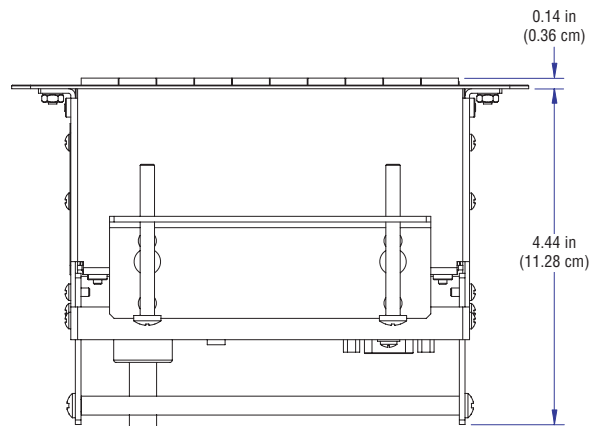
Top View - Lid Open



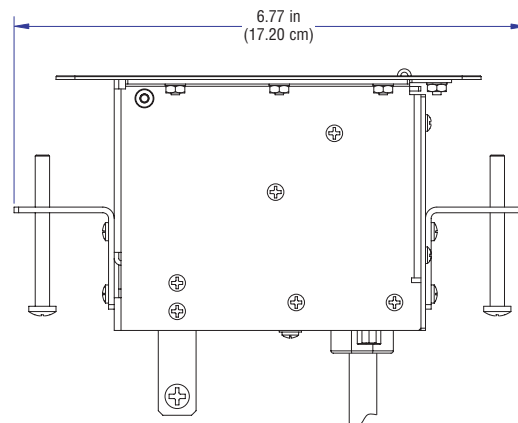
Top View - Lid Closed



Bottom View



Front View - with Mounting Brackets



Right Side View - with Mounting Brackets

\* For iMedia use CresCAT-IM cable, or quality CAT5e/CAT6 cable having a maximum delay skew of 15nS per 100m.