

CCS-UC-ZOOM EXPANDED KIT

Crestron® Zoom Rooms Expanded Package

- > A complete Zoom Rooms conferencing and collaboration solution^[1]
- > Designed for conference rooms with up to ten people at a table
- > High-performance 360° microphone, speaker, and control panel in one device
- > 7" (178 mm) HD color touch screen with embedded Zoom Rooms app
- > High-definition USB room camera
- > Mini PC with Zoom Rooms software
- > Dual video outputs for up to two room displays
- > Exceptional full-duplex audio performance
- > Extremely natural 2-way wideband voice quality
- > Integrated 360° quad microphone array
- > High-powered full-range speaker
- > Limes Audio TrueVoice™ AEC technology
- > High-visibility mic mute indication
- > Available add-on mic pods for extra coverage
- > HDMI® video presentation input
- > Cloud-based provisioning (coming soon)
- > Enterprise-grade security
- > PoE+ or AC line powered^[2]
- > 100-240V universal power pack included
- > Installation cables included^[1]
- > Single-wire signal extender included for increased table to display distance^[3]



The Crestron® Zoom Rooms Expanded Package (**CCS-UC-ZOOM EXPANDED KIT**) combines the **Crestron Mercury™** Tabletop Conference System with **Zoom Rooms** software to deliver a complete collaboration-enabled videoconferencing solution for enterprises that use the Zoom conferencing service. Just add one or two video displays. Everything else is included.^[1]

A Crestron Zoom Rooms solution employs one handsome tabletop device to replace the individual speaker, microphone, and tablet components of a typical Zoom Rooms setup. The Crestron Mercury device (**CCS-UC-1**) serves as a high-performance conferencing speakerphone and touch screen control panel running the Zoom Rooms app. Its 7" color touch screen delivers the same user-friendly Zoom Rooms experience as a typical tablet, but without the risk of misplacing the device. Instead of Wi-Fi®, Crestron Mercury uses wired Ethernet and USB connections to ensure reliable connectivity at all times.

The Crestron Zoom Rooms Expanded Package includes an Intel® NUC mini PC, which installs behind the room display(s) and comes preloaded with Zoom Rooms software. A high-definition camera is also included, along with a set of installation cables to

accommodate a typical conference room application. Easy setup is accomplished using the included USB flash drive and wireless keyboard with touchpad.^[1]

This “expanded” package includes two enhancements that differentiate it from the “basic” package (**CCS-UC-ZOOM BASIC KIT**):

- An HDMI® input is provided to enable video presentation using a laptop computer or other BYOD content source.
- A signal extender is included to support larger rooms where the camera and display(s) are located many feet (meters) from the conference table. Just one CAT type cable is required between the table and display locations.^[2]

*Note: If you are providing your own camera, please refer to the **CCS-UC-ZOOM-NC EXPANDED KIT**.*

A Crestron Zoom Rooms solution brings together all the features and user-friendliness of a Zoom Rooms solution with the secure enterprise



CCS-UC-ZOOM EXPANDED KIT

Crestron® Zoom Rooms Expanded Package

integration capabilities of Crestron. Cloud-based provisioning (coming soon) affords simplified, zero-touch configuration and updates for any number of rooms across an enterprise network.

Note: When configured for a Zoom Rooms application, the CCS-UC-1 operates full-time in Zoom Rooms mode. It cannot switch modes. In Zoom Rooms mode, certain features and functions of Crestron Mercury (audio or video conferencing, multimedia presentation, content sharing, welcome screens and notifications, calendaring, occupancy sensing, usage monitoring) are disabled and supplanted by the features and functions of the Zoom Rooms software and/or additional Crestron equipment. Contact the Crestron True Blue support team at <http://www.crestron.com/support> for assistance with your system design.

For more information about Zoom Rooms features and subscription plans, please visit <https://zoom.us/zoomrooms>.

For additional information about Crestron Zoom Rooms solutions, please visit <http://www.crestron.com/zoomrooms>.

For additional information about Crestron Mercury, please visit <http://www.crestron.com/mercury>.

For additional information and specifications for the CCS-UC-1, refer to <http://www.crestron.com/products/model/ccs-uc-1>.

SPECIFICATIONS

Included Components

- Qty. 1 CCS-UC-1 360° conferencing speakerphone and touch screen control panel with embedded Zoom Rooms app
- Qty. 1 CCS-UCA-ZOOM-CPU Intel® NUC Kit, model NUC5i7RYH, with Zoom Rooms software
- Qty. 1 CCS-UCA-KB-USB Wireless keyboard with touchpad (for setup)
- Qty. 1 CCS-UCA-MEM-USB USB flash drive (for setup)
- Qty. 1 CCS-CAM-USB-F-100 HD Camera with integral USB cable, Type A male, 6 ft (1.83 m)
- Qty. 1 HD-TX-USB-2000-C HDMI & USB over HDBaseT® transmitter, converts HDMI (from content source) and USB (from CCS-UC-1) to HDBaseT (CATx cable and connectors not included)^[2]
- Qty. 1 HD-RX-USB-2000-C HDMI & USB over HDBaseT receiver, converts HDBaseT (from HD-TX-USB-2000-C) to HDMI and USB
- Qty. 1 HD-CONV-USB-100 HD to USB video convertor, converts HDMI (from HD-RX-USB-2000-C) to USB
- Qty. 1 CBL-HD-THIN-HS-6 HDMI cable, Type A male-to-male, 6 ft (1.83 m), connects from content source to HD-TX-USB-2000-C
- Qty. 1 CBL-USB-A-BMICRO-6 USB cable, Type A male to micro-B male, 6 ft (1.83 m), connects from CCS-UC-1 to HD-TX-USB-2000-C
- Qty. 1 CBL-HD-DVI-3 HDMI to DVI adapter cable, HDMI Type A male to DVI-D male, 3 ft (0.91 m), connects from HD-RX-USB-2000-C to HD-CONV-USB-100
- Qty. 1 CBL-USB-A-BMICRO-6 USB cable, Type A male to micro-B male, 6 ft (1.83 m), connects from HD-RX-USB-2000-C to NUC
- Qty. 1 USB cable, Type A male to B male, 3 ft (0.91 m), connects from HD-CONV-USB-100 to NUC

- Qty. 2 CBL-HD-6 HDMI cables, Type A male-to-male, 6 ft (1.83 m), connect(s) from NUC to display device(s)
- Qty. 1 ADPT-MHD-HD Mini HDMI-to-HDMI adapter, Type C male-to-Type A female, converts one NUC display output to HDMI Type A
- Qty. 1 CBL-MDP-HD-0.5 Mini DisplayPort-to-HDMI adapter cable, mDP male-to-HDMI Type A female, 0.5 ft (15 cm), converts one NUC display output to HDMI Type A
- Qty. 1 CBL-USB-A-EXT-15 USB extension cable, Type A male-to-female, 15 ft (4.57 m), for optional use as needed
- Qty. 1 DM-CBL-ULTRA-PC-5 Ethernet LAN cable, RJ45 male-to-male, 5 ft (1.52 m), connects NUC to LAN
- Qty. 1 Ethernet LAN cable, RJ45 male-to-male, 12 ft (3.66 m), connects CCS-UC-1 to LAN
- Qty. 1 PW-2420RU Universal power pack for CCS-UC-1^[3]
- Qty. 1 Universal AC-DC power adapter for NUC
- Qty. 1 PW-2412WU Universal power pack for HD-RX-USB-2000-C
- Qty. 1 Cable retention plate & tie wraps for CCS-UC-1
- Qty. 1 VESA/surface mounting bracket for NUC

Communications – CCS-UC-1

Ethernet: 10/100 Mbps, auto-switching, auto-negotiating, auto-discovery, full/half duplex, TCP/IP, UDP/IP, DHCP, TLS, SSH, SFTP (SSH File Transfer Protocol), IEEE 802.1X, Active Directory authentication, digest access authentication, password login, HTTPS secure provisioning, IEEE 802.3at Type 2 compliant

USB Device: USB 2.0 wired interface for connection to NUC (via the included USB extender)

USB Host: USB 2.0 for commissioning

Mic Pod: A²B bus protocol, single master, multiple slave; synchronous data, multichannel I2S/TDM to I2S/TDM

Communications – NUC

Ethernet: 10/100/1000 Mbps

Wi-Fi: IEEE 802.11ac

Bluetooth®: Bluetooth 4.0

USB Host: USB 3.0

HDMI: HDMI 1.4a

DisplayPort: DisplayPort Version 1.2

Note: Refer to the Zoom website for additional software-based capabilities and specifications.

Audio – CCS-UC-1

AEC: Limes Audio TrueVoice acoustic echo cancellation, automatic mic mixing, automatic gain control, and dynamic noise reduction; full-duplex IEEE 1329 Type 1 compliant

Microphones: Quad mic array with (4) cardioid electret elements;

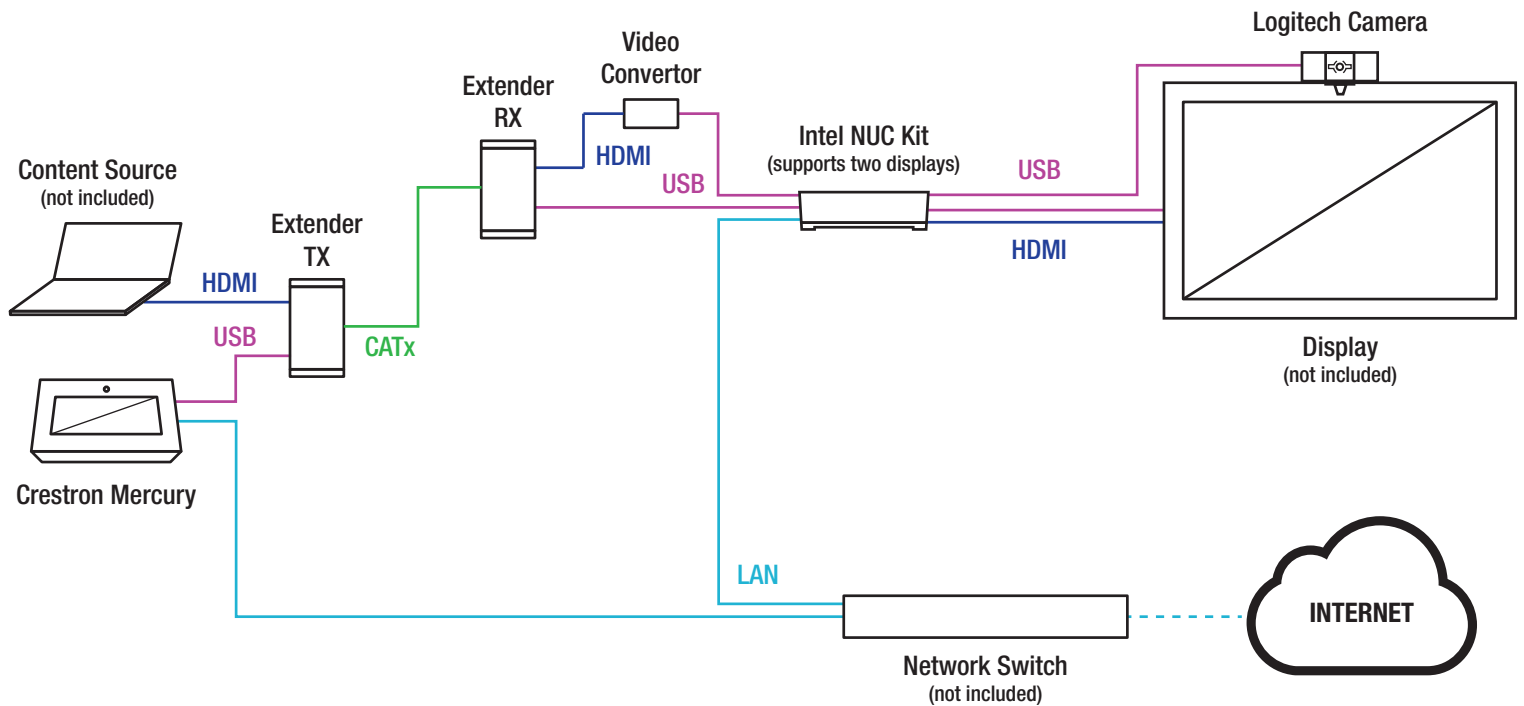
Pickup Range: 20 ft (6 m) typical

Speaker: Full range speaker;

Amplifier Power: 11 Watts maximum;

Output Volume: 95 dB SPL at 0.5 m;

Frequency Response: 90 Hz to 22 kHz



Video - NUC

Content Source Type: HDMI (via the included HD to USB video convertor)

Camera Signal Type: USB

Display Output Signal Types: HDMI, DisplayPort

Touch Screen - CCS-UC-1

Display Type: TFT active matrix color LCD

Size: 7 inch (178 mm) diagonal

Aspect Ratio: 16:9 HD 720

Resolution: 1280 x 720 pixel

Touch Screen: Capacitive, multi-touch capable

Buttons & Indicators - CCS-UC-1

Mic Mute Symbol & Light Bar: (2) Capacitive “buttons” with bi-color LEDs, either button toggles between mute and unmute, the symbol LED blinks green when the unit is powering up, all LEDs illuminate red when the mic is muted, all LEDs illuminate green when the mic is unmuted

Controls & Indicators - HD-TX-USB-2000-C, HD-RX-USB-2000-C, & HD-CONV-USB-100

Refer to the HD-EXT-USB-2000-C and HD-CONV-USB-100 spec sheets

Connectors - CCS-UC-1

Note: Unused connectors are not listed

G: (1) 6-32 screw;
Chassis ground lug

LAN: (1) 8-pin RJ45 connector, female;
10Base-T/100Base-TX Ethernet port;
PoE+ PD port^[3]

USB B: (1) Micro-USB Type B connector, female;
USB 2.0 device port;
Connects to NUC via the included USB extender

MIC POD 1 – 2: (2) RJ9 4P4C connector, female;
For connection of up to two CCS-UCA-MIC microphone pods (sold separately)^[3]

USB/ACC: (1) USB Type A connector, female;
USB 2.0 host port;
For setup using included USB flash drive

24V DC 2.5A: (1) 2.1 x 5.5 mm DC power connector;
24 Volt DC power input for universal power pack^[3]

Connectors - NUC

USB: (4) USB Type A connectors, female;
USB 3.0 host ports

19VDC: (1) DC power connector;
19 Volt DC power input for AC-DC power adapter

DP: (1) Mini DisplayPort connector, female
Mini DisplayPort video output

LAN: (1) 8-pin RJ45 connector, female;
Gigabit Ethernet port

HDMI: (1) HDMI Type C connector, female;
Mini HDMI video output

Connectors – HD-TX-USB-2000-C, HD-RX-USB-2000-C, & HD-CONV-USB-100

Refer to the HD-EXT-USB-2000-C and HD-CONV-USB-100 spec sheets

Power – CCS-UC-1

Power Pack (included): Input: 100-240 Volts AC, 50/60 Hz;
Output: 2.5 Amps @ 24 Volts DC;
Model: PW-2420RU^[3]

Power over Ethernet: IEEE 802.3at Type 2, Class 4 (25.5 W) PoE+ Powered Device^[3]

Power consumption: 20 Watts (typical)

Power – NUC

Power Adapter (included): Input: 100-240 Volts AC, 50/60 Hz;
Output: 65 Watts @ 19 Volts DC

Power – HD-RX-USB-2000-C

Power Pack (included):
Input: 0.8 Amps (maximum) @ 100-240 Volts AC, 50/60 Hz;
Output: 1.25 Amps @ 24 Volts DC;
Model: PW-2412WU

Power Consumption: 18.7 Watts typical

Environmental – CCS-UC-1

Operational Temperature: 32° to 95° F (0° to 35° C)

Storage Temperature: -4° to 160° F (-20° to 70° C)

Humidity: 5% to 95% RH (non-condensing)

Heat Dissipation: 123 BTU/hr (typical)

Environmental – NUC

Operational Temperature: 32° to 104° F (0° to 40° C)

Storage Temperature: -4° to 140° F (-20° to 60° C)

Environmental – HD-TX-USB-2000-C & HD-RX-USB-2000-C

Temperature: 32° to 104° F (0° to 40° C)

Humidity: 20% to 90% RH (non-condensing)

Heat Dissipation: 63.8 BTU/hr

Dimensions

CCS-UC-1: Height: 4.11 in (105 mm);
Width: 8.92 in (227 mm);
Depth: 12.74 in (324 mm)

NUC: Height: 1.92 in (49 mm);
Width: 4.53 in (115 mm);
Depth: 4.37 in (111 mm)

HD-TX-USB-2000-C: Height: 4.47 in (114 mm);
Width: 9.61 in (244 mm);
Depth: 0.99 in (25 mm)

HD-RX-USB-2000-C: Height: 4.47 in (114 mm);
Width: 9.61 in (244 mm);
Depth: 0.99 in (25 mm)

HD-CONV-USB-100: Height: 0.91 in (23 mm);
Width: 2.36 in (60 mm);
Depth: 3.54 in (90 mm)

Weight

CCS-UC-1: 5.5 lb (2.5 kg)
HD-TX-USB-2000-C: 1.71 lb (776 g)
HD-RX-USB-2000-C: 1.71 lb (776 g)
HD-CONV-USB-100: 5.6 oz (159 g)

Compliance

CCS-UC-1: UL 60950-1, FCC Part 15 Class A, Japan MIC/VCCI Class A, ICES-003 Issue 5 Class A, EN55022:2010 Class A, AS/NZS CISPR22:2010 Class A, VCCI Class A, EN55024:2010, EN61000-3-2:2014, EN61000-3-3:2013, EN60950-1:2006, EN60950-A2:2013, EN60950-A11:2009, EN60950-A1:2010, EN60950-A12:2011, FCC 15.247, RSS 210 Issue 8, RSS Gen Issue 4, ETSI EN 301 489-1, ETSI EN 301 489-17, AS/NZS 4268:2012, NZ Telepermit, Australia A&C Tick, RoHS compliant

NUC: IEC 60950-1, UL 60950-1, EN 60950-1, CAN/CSA-C22.2 No. 60950-1, CISPR 22, FCC CFR Title 47 Chapter 1 Part 15 Subparts A&B, ICES-003, EN 55022, EN 55024, VCCI V-3 & V-4, KN-22, KN-24, CNS 13438, RoHS Directive 2011/65/EU, WEEE Directive 2002/96/EC, China RoHS Mill Order #39

MODELS & ACCESSORIES

Available Models

CCS-UC-ZOOM EXPANDED KIT: Crestron® Zoom Rooms Expanded Package

Included Accessories

CCS-UC-1 W/PS KIT: Crestron Mercury™ Tabletop Conference System w/Universal Power Pack (Qty. 1 included)

CCS-UCA-ZOOM-CPU: Intel® NUC Kit, model NUC5i7RYH, with Zoom Rooms Software (Qty. 1 included)

CCS-UCA-KB-USB: Wireless Keyboard w/Touchpad (Qty. 1 included)

CCS-UCA-MEM-USB: USB Flash Drive for CCS-UC-ZOOM (Qty. 1 included)

CCS-CAM-USB-F-100: Logitech® Webcam C930e (Qty. 1 included)

HD-EXT-USB-2000-C: 4K HDMI® & USB over HDBaseT® Extender 2000 (Qty. 1 included)

HD-CONV-USB-100: HD to USB Video Converter (Qty. 1 included)

CBL-HD-THIN-HS-6: HDMI Cable, Thin, Type A Male-to-Male, 6 ft (1.83 m) (Qty. 1 included)

CBL-USB-A-BMICRO-6: USB Cable, Type A Male to Micro-B Male, 6 ft (1.83 m) (Qty. 1 included)

CBL-HD-DVI-3: Crestron® Certified HDMI® to DVI Interface Cable, 3 ft (0.9 m) (Qty. 1 included)

CBL-HD-6: Crestron® Certified HDMI® Interface Cable, 18 Gbps, 6 ft (1.8 m) (Qty. 2 included)

ADPT-MHD-HD: Mini HDMI-to-HDMI Adapter, Type C Male-to-Type A Female (Qty. 1 included)

CBL-MDP-HD-0.5: Mini DisplayPort-to-HDMI Adapter Cable, mDP Male-to-HDMI Type A Female, 0.5 ft (15 cm) (Qty. 1 included)

CBL-USB-A-EXT-15: USB Extension Cable, Type A Male-to-Female, 15 ft (4.57 m) (Qty. 1 included)

DM-CBL-ULTRA-PC-5: DigitalMedia™ Ultra Patch Cable, 5 ft (1.5 m) (Qty. 1 included)

Available Accessories

CCS-UCA-SMK: Swivel Mount Kit

CCS-UCA-MIC: Microphone Pods for CCS-UC-1

CEN-SWPOE-16: 16-Port Managed PoE Switch

DM-CBL-8G: DigitalMedia 8G™ Cable

DM-8G-CONN: Connector for DM-CBL-8G

DM-8G-CRIMP: Crimping Tool for DM-8G-CONN

DM-8G-CONN-WG: Connector with Wire Guide for DM-CBL-8G

DM-8G-CRIMP-WG: Crimping Tool for DM-8G-CONN-WG

Notes:

1. Requires the addition of one or two display devices, a signal extender cable (see note 2), two LAN connections with internet access, and a Zoom Rooms subscription. Visit <https://zoom.us/pricing> for more information about Zoom Rooms subscription plans.
2. For the HDBaseT connection between the signal extender transmitter and receiver (HD-TX-USB-2000-C and HD-RX-USB-2000-C), use CAT5e (or better) cable terminated with RJ45 connectors (cable and connectors not included). The maximum HDBaseT cable length is 330 feet (100 meters). Refer to the [HD-EXT-USB-2000-C](#) spec sheet for additional details.
3. When used without any microphone pods connected, the CCS-UC-1 may be powered using either PoE+ or the included power pack (model PW-2420RU). If one or two mic pods are connected, the CCS-UC-1 MUST be powered using the power pack. PoE+ cannot be used to power the CCS-UC-1 if any mic pods are connected. When using PoE+, make sure the network switch supports PoE+ (802.3at Type 2). Regular PoE (802.3af or 802.3at Type 1) cannot be used to power the CCS-UC-1. Crestron recommends using the [CEN-SWPOE-16](#) 16-port switch, which supports PoE+. Please be aware, the CEN-SW-POE-5 5-port switch does NOT support PoE+ and cannot be used to power the CCS-UC-1.

This product may be purchased from an authorized Crestron dealer or distributor. To find a dealer or distributor, please contact the Crestron sales representative for your area. A list of sales representatives is available online at www.crestron.com/salesreps or by calling 800-237-2041.

The specific patents that cover Crestron products are listed online at: patents.crestron.com.

Certain Crestron products contain open source software. For specific information, please visit www.crestron.com/opensource.

Crestron, the Crestron logo, Crestron Mercury, DigitalMedia, and DigitalMedia 8G are either trademarks or registered trademarks of Crestron Electronics, Inc. in the United States and/or other countries. Bluetooth is either a trademark or registered trademark of Bluetooth SIG, Inc. in the United States and/or other countries. Intel is either a trademark or registered trademark of Intel Corporation in the United States and/or other countries. HDBaseT and the HDBaseT Alliance logo are either trademarks or registered trademarks of the HDBaseT Alliance in the United States and/or other countries. HDMI and the HDMI Logo are either trademarks or registered trademarks of HDMI Licensing LLC in the United States and/or other countries. TrueVoice is either a trademark or registered trademark of Limes Audio AB in the United States and/or other countries. Logitech is either a trademark or registered trademark of Logitech International SA in the United States and/or other countries. Wi-Fi is either a trademark or registered trademark of Wi-Fi Alliance in the United States and/or other countries. Other trademarks, registered trademarks, and trade names may be used in this document to refer to either the entities claiming the marks and names or their products. Crestron disclaims any proprietary interest in the marks and names of others. Crestron is not responsible for errors in typography or photography. Specifications are subject to change without notice. ©2017 Crestron Electronics, Inc.