

## Wall Plate 4K DigitalMedia 8G+® Receiver and Room Controller 100

The Crestron® [DM-RMC-4K-100-C-1G](#) is a DigitalMedia 8G+® wall plate receiver and room controller that provides a simple, cost-effective interface solution for a single display device as part of a complete Crestron® DigitalMedia™ system.



### In the Box

- 1 DM-RMC-4K-100-C-1G Wall Plate DigitalMedia 8G+® Receiver and Room Controller 100

#### Additional Items

- 1 Bracket, Surface Mount (2016054)
- 2 Connector, 2-Pin (2003574)
- 1 Connector, 3-Pin (2003575)
- 2 Screw, 6-32 x 1/4 in., Pan Head, SEMS (2007218)
- 2 Screw, 6-32 x 3/4 in., Truss Head, Combo (2009211)



### Install the Receiver

Mount the device into an electrical box, onto a flat surface, or onto a rack rail. Connect the rear of the receiver before mounting it into an electrical box. If the receiver is to be mounted onto a flat surface or rack rail, connect the rear of the unit after it is mounted.

### Connecting the Rear of the Receiver

**NOTE:** The DM IN port is a PoDM (Power over DM) powered device (PD) port and is also compatible with HDBaseT® PoE:

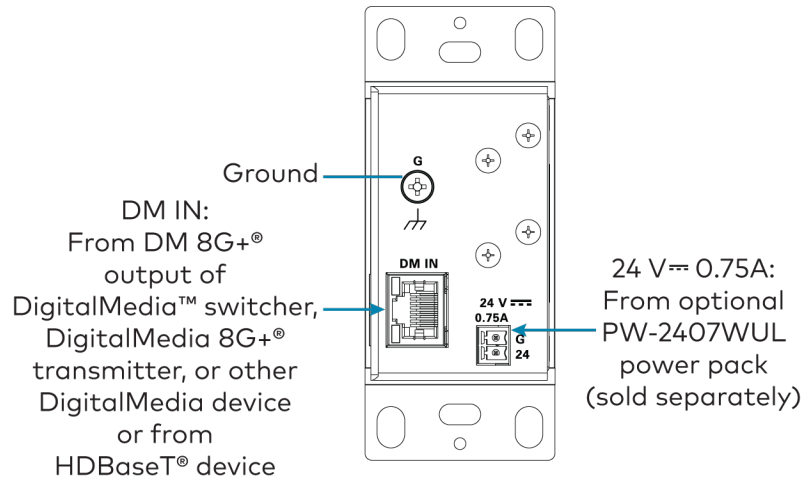
- In order for the DM IN port to receive PoDM, the port must be connected to a DigitalMedia switcher or other DigitalMedia equipment that has a PoDM power sourcing equipment (PSE) port.
- In order for the DM IN port to receive HDBaseT PoE, the port must be connected to equipment that has an HDBaseT PoE PSE port.

Wiring that connects to a PoDM or HDBaseT PoE port is designed for intrabuilding use only.

PoDM, HDBaseT PoE, or the optional [PW-2407WUL](#) power pack (sold separately) can be used to power the receiver.

## Wall Plate 4K DigitalMedia 8G+® Receiver and Room Controller 100

### Connections to Rear of Receiver



Refer to the following table for DM IN wiring information.

### DM IN Wiring

	Pin Number	Wire Color
	1	Orange/White
	2	Orange
	3	Green/White
	4	Blue
	5	Blue/White
	6	Green
	7	Brown/White
	8	Brown

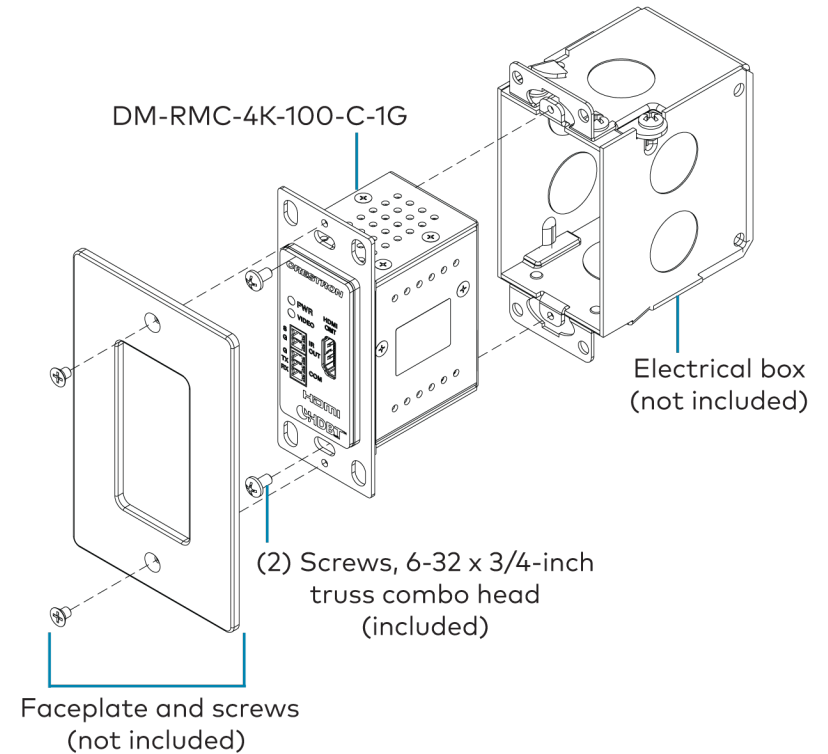
### Mounting into an Electrical Box

Mount the receiver into a 1-gang electrical box (not included).

1. Using a Phillips screwdriver and the two included 6-32 x 3/4-inch truss combo head screws, attach the receiver to the electrical box.
2. Attach a decorator style faceplate (not included) to the receiver using two screws (not included).

**NOTE:** The optional Crestron [FP-G1](#) Series faceplate assembly is sold separately.

### Mounting into an Electrical Box



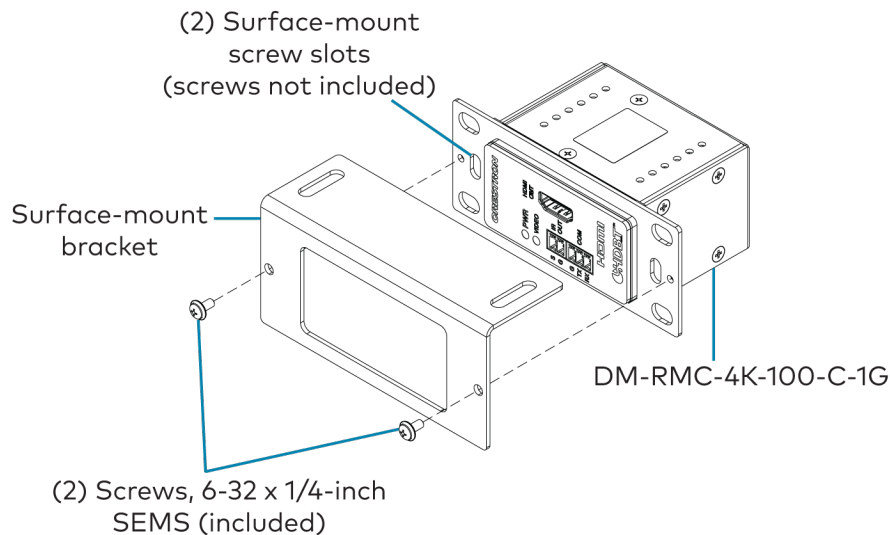
## Wall Plate 4K DigitalMedia 8G+® Receiver and Room Controller 100

### Mounting onto a Flat Surface

Mount the receiver onto a suitable flat surface such as the underside of a table.

1. Using a Phillips screwdriver and the two included 6-32 x 1/4-inch SEMS screws, attach the included surface-mount bracket to the receiver.
2. Attach the bracket to the flat surface using the two surface-mount screw slots (screws not included).

### Mounting onto a Flat Surface

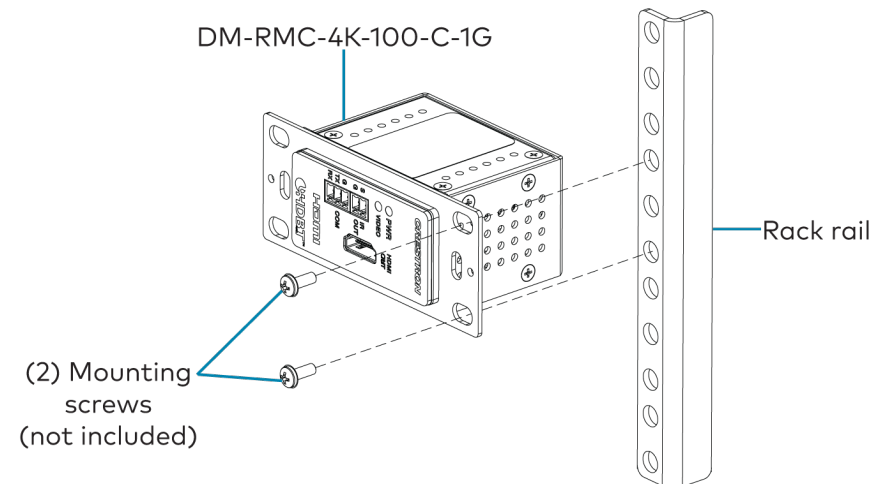


### Mounting onto a Rack Rail

Mount the transmitter onto the front or rear rail of a rack.

1. Position the receiver horizontally so that the holes in the left or right mounting flange align with the holes in the rack rail.
2. Secure the unit to the rack rail using two mounting screws (not included).

### Mounting onto a Rack Rail



## Wall Plate 4K DigitalMedia 8G+® Receiver and Room Controller 100

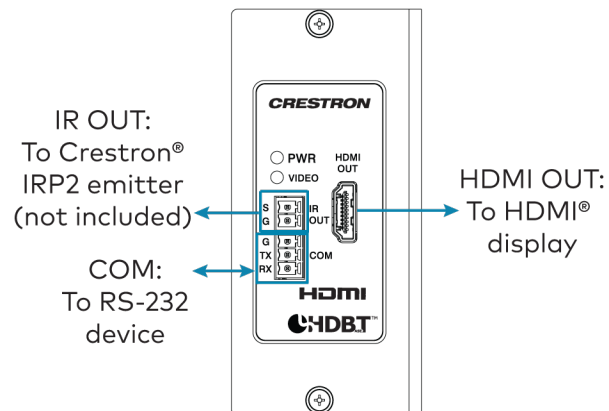
### Connecting the Front of the Receiver

Connect the front of the receiver as required for the application.

#### NOTES:

- The IR OUT and COM (RS-232) ports are enabled only when the receiver is connected to an Ethernet-enabled DigitalMedia switcher or transmitter that is addressable from a Crestron control system.
- Pass-through mode for CEC is supported when the DM-RMC-4K-100-C-1G is connected directly to a DigitalMedia transmitter. Full management of CEC is supported between the locally connected HDMI® device and a control system when connected to an Ethernet-enabled 4K DigitalMedia transmitter or switcher that supports CEC over the HDBaseT connection.

#### Connections to Front of Receiver



### Visit the Product Page

Scan the QR code to visit the product page.

**DM-RMC-4K-100-C-1G-B**



[www.crestron.com/model/6505627](http://www.crestron.com/model/6505627)

**DM-RMC-4K-100-C-1G-W**



[www.crestron.com/model/6505628](http://www.crestron.com/model/6505628)

## Wall Plate 4K DigitalMedia 8G+® Receiver and Room Controller 100

### Additional Information

#### Original Instructions

The U.S. English version of this document is the original instructions. All other languages are a translation of the original instructions.

Crestron product development software is licensed to Crestron dealers and Crestron Service Providers (CSPs) under a limited nonexclusive, nontransferable Software Development Tools License Agreement. Crestron product operating system software is licensed to Crestron dealers, CSPs, and end-users under a separate End-User License Agreement. Both of these Agreements can be found on the Crestron website at [www.crestron.com/legal/software\\_license\\_agreement](http://www.crestron.com/legal/software_license_agreement).

The product warranty can be found at [www.crestron.com/warranty](http://www.crestron.com/warranty).

The specific patents that cover Crestron products are listed at [www.crestron.com/legal/patents](http://www.crestron.com/legal/patents).

Certain Crestron products contain open source software. For specific information, visit [www.crestron.com/opensource](http://www.crestron.com/opensource).

Crestron, the Crestron logo, DigitalMedia, DigitalMedia 8G+, and DM 8G+ are either trademarks or registered trademarks of Crestron Electronics, Inc. in the United States and/or other countries. HDBaseT and the HDBaseT Alliance logo are either trademarks or registered trademarks of the HDBaseT Alliance in the United States and/or other countries. HDMI and the HDMI logo are either trademarks or registered trademarks of HDMI Licensing LLC in the United States and/or other countries. Other trademarks, registered trademarks, and trade names may be used in this document to refer to either the entities claiming the marks and names or their products. Crestron disclaims any proprietary interest in the marks and names of others. Crestron is not responsible for errors in typography or photography.

### HDMI

©2020 Crestron Electronics, Inc.

Doc. 7707F

04/22/20