

Crestron **TPS-6X-DSC-LP**
Low-Profile Desktop Docking Station
for TPS-6X (Charging Only)

Installation Guide



This document was prepared and written by the Technical Documentation department at:



Crestron Electronics, Inc.

15 Volvo Drive

Rockleigh, NJ 07647

1-888-CRESTRON

Regulatory Compliance

As of the date of manufacture, the TPS-6X-DSC-LP has been tested and found to comply with specifications for CE marking and standards per EMC and Radiocommunications Compliance Labelling.



Contents

Low-Profile Desktop Docking Station for TPS-6X (Charging Only): TPS-6X-DSC-LP	1
Description.....	1
Features and Functions.....	1
Specifications	2
Physical Description.....	3
Setup.....	5
Hardware Hookup	5
Recommended Cleaning.....	5
Resources.....	6
Further Inquiries	6
Future Updates	6
Return and Warranty Policies.....	7
Merchandise Returns / Repair Service	7
CRESTRON Limited Warranty.....	7

Low-Profile Desktop Docking Station for TPS-6X (Charging Only): TPS-6X-DSC-LP

Description

The TPS-6X-DSC-LP is an optional desktop docking station designed for charging the Isys™ TPS-6X Wireless Touchpanel. Its angled cradle enables full wireless touchpanel operation while charging. A single connector is provided at the rear of the docking station for connection of the wall mount power pack (included).

Features and Functions

- A low-profile desktop dock for the Isys TPS-6X
- Provides a simple battery charging solution
- Affords wireless tilt touchpanel operation while charging
- Includes universal power pack
- Available in gloss black or white or matte black finishes

Specifications

Specifications for the TPS-6X-DSC-LP are listed in the following table.

TPS-6X-DSC-LP Specifications

SPECIFICATION	DETAILS
Power Requirements Power Pack	0.75 Amps @ 24 Volts DC; 100-240 Volts AC, 50/60 Hz power pack, included
Environmental Temperature Humidity	32° to 112°F (0° to 45°C) 10% to 90% RH (non-condensing)
Enclosure	Plastic, angled cradle
Dimensions Height Width Depth	1.82 in (47 mm) 4.90 in (125 mm) 5.30 in (135 mm)
Weight	13 oz (367 g)
Available Models TPS-6X-DSC-LP TPS-6X-DSC-LP-B-T TPS-6X-DSC-LP-W-S	Low-Profile Docking Station for TPS-6X (Charging Only), Gloss Black Low-Profile Docking Station for TPS-6X (Charging Only), Matte Black Low-Profile Docking Station for TPS-6X (Charging Only), Gloss White
Included Accessory	24 Volt Power Pack

Physical Description

This section provides information on the connections, controls and indicators available on your TPS-6X-DSC-LP.

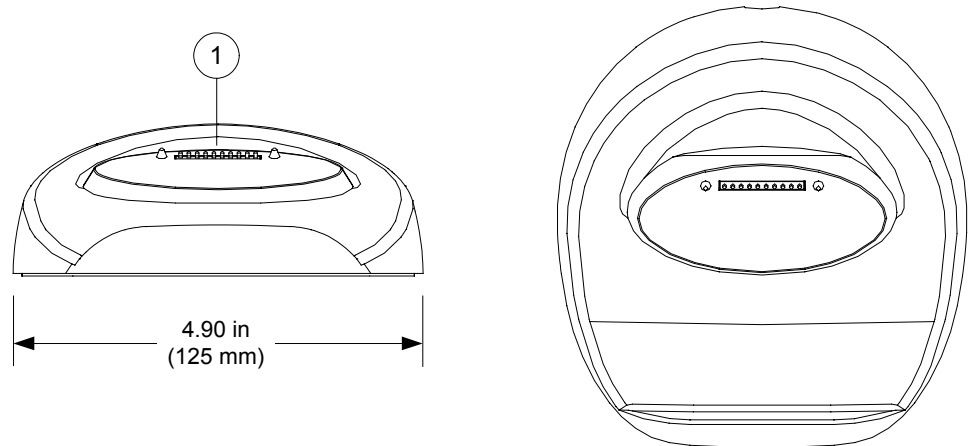
TPS-6X-DSC-LP Physical View



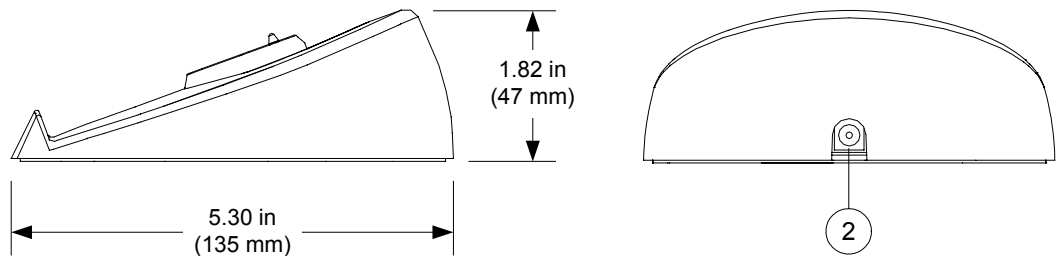
TPS-6X on TPS-6X-DSC-LP



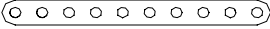
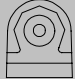
TPS-6X-DSC-LP Overall Dimensions (Front and Top Views)



TPS-6X-DSC-LP Overall Dimensions (Side and Rear Views)



Connectors, Controls & Indicators

#	CONNECTORS, CONTROLS & INDICATORS	DESCRIPTION
1	TOUCHPANEL CONNECTOR 	(1) 10-pin connector for connecting to touchpanel
2	POWER 	(1) 2.1 mm barrel DC power jack; 24 Volt DC power input; Power supply included

Setup

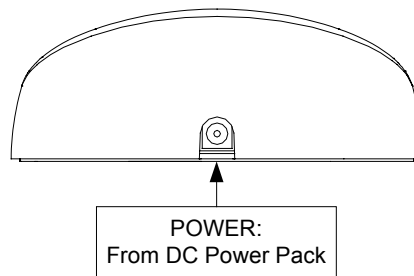
Hardware Hookup

The only connection to the TPS-6X-DSC-LP is for the included 24 Volt power pack.

When connecting the TPS-6X-DSC-LP, consider the following:

- Use Crestron® power supplies for Crestron equipment.
- The included cable cannot be extended.

Hardware Connection for the TPS-6X-DSC-LP



Recommended Cleaning

The TPS-6X-DSC-LP comes in a soft microfiber bag to protect it during shipping. This can be used to clean the docking station.

Resources

Further Inquiries

If you cannot locate specific information or have questions after reviewing this guide, please take advantage of Crestron's award winning customer service team by calling Crestron at 1-888-CRESTRON [1-888-273-7876].

You can also log onto the online help section of the Crestron Web site (www.crestron.com/onlinehelp) to ask questions about Crestron products. First-time users will need to establish a user account to fully benefit from all available features.

Future Updates

As Crestron improves functions, adds new features and extends the capabilities of the TPS-6X-DSC-LP, additional information may be made available as manual updates. These updates are solely electronic and serve as intermediary supplements prior to the release of a complete technical documentation revision.

Check the Crestron Web site periodically for manual update availability and its relevance. Updates are identified as an “Addendum” in the Download column.

Return and Warranty Policies

Merchandise Returns / Repair Service

1. No merchandise may be returned for credit, exchange or service without prior authorization from CRESTRON. To obtain warranty service for CRESTRON products, contact an authorized CRESTRON dealer. Only authorized CRESTRON dealers may contact the factory and request an RMA (Return Merchandise Authorization) number. Enclose a note specifying the nature of the problem, name and phone number of contact person, RMA number and return address.
2. Products may be returned for credit, exchange or service with a CRESTRON Return Merchandise Authorization (RMA) number. Authorized returns must be shipped freight prepaid to CRESTRON, 6 Volvo Drive, Rockleigh, N.J. or its authorized subsidiaries, with RMA number clearly marked on the outside of all cartons. Shipments arriving freight collect or without an RMA number shall be subject to refusal. CRESTRON reserves the right in its sole and absolute discretion to charge a 15% restocking fee plus shipping costs on any products returned with an RMA.
3. Return freight charges following repair of items under warranty shall be paid by CRESTRON, shipping by standard ground carrier. In the event repairs are found to be non-warranty, return freight costs shall be paid by the purchaser.

CRESTRON Limited Warranty

CRESTRON ELECTRONICS, Inc. warrants its products to be free from manufacturing defects in materials and workmanship under normal use for a period of three (3) years from the date of purchase from CRESTRON, with the following exceptions: disk drives and any other moving or rotating mechanical parts, pan/tilt heads and power supplies are covered for a period of one (1) year; touchscreen display and overlay components are covered for 90 days; batteries and incandescent lamps are not covered.

This warranty extends to products purchased directly from CRESTRON or an authorized CRESTRON dealer. Purchasers should inquire of the dealer regarding the nature and extent of the dealer's warranty, if any.

CRESTRON shall not be liable to honor the terms of this warranty if the product has been used in any application other than that for which it was intended or if it has been subjected to misuse, accidental damage, modification or improper installation procedures. Furthermore, this warranty does not cover any product that has had the serial number altered, defaced or removed.

This warranty shall be the sole and exclusive remedy to the original purchaser. In no event shall CRESTRON be liable for incidental or consequential damages of any kind (property or economic damages inclusive) arising from the sale or use of this equipment. CRESTRON is not liable for any claim made by a third party or made by the purchaser for a third party.

CRESTRON shall, at its option, repair or replace any product found defective, without charge for parts or labor. Repaired or replaced equipment and parts supplied under this warranty shall be covered only by the unexpired portion of the warranty.

Except as expressly set forth in this warranty, CRESTRON makes no other warranties, expressed or implied, nor authorizes any other party to offer any warranty, including any implied warranties of merchantability or fitness for a particular purpose. Any implied warranties that may be imposed by law are limited to the terms of this limited warranty. This warranty statement supersedes all previous warranties.



Crestron Electronics, Inc.
15 Volvo Drive Rockleigh, NJ 07647
Tel: 888.CRESTRON
Fax: 201.767.7576
www.crestron.com

Installation Guide – DOC. 7143A
(2029615)
03.11
Specifications subject to
change without notice.