

TSW-770/1070-MSMK-ANG

Multisurface Mount Kit for TSW-770 and TSW-1070 Series, Angled



- Enables mounting a TSW-770, TSS-770, TSW-1070, or TSS-1070 series touch screen to glass or another flat smooth surface, into a wall, or over an electrical box
- Ideal for mounting near the entrance to a meeting space for room scheduling applications
- Provides a 20° upward tilt angle
- Secure, screwless installation using peel-and-stick adhesive pad
- Available in smooth white or black finish

The TSW-770/1070-MSMK-ANG multisurface mount kit provides a versatile mounting solution for a [TSW-770](#), [TSS-770](#), [TSW-1070](#), or [TSS-1070](#) touch screen. Using the kit, the touch screen can be mounted directly to glass, granite, marble, wood paneling, plaster, smooth masonry, or virtually any other flat surface. The touch screen can also be mounted into wall or supported electrical boxes. The TSW-770/1070-MSMK-ANG is ideal for mounting near the entrance to a meeting space for room scheduling applications. When installed, the touch screen is angled upwards at a 20° tilt.

The TSW-770/1070-MSMK-ANG attaches securely to a flat, smooth surface without screws using the included peel-and-stick adhesive pad or attaches to a wall or an electrical box using the screws provided. For a finished appearance when mounted to a transparent glass wall, a cosmetic label is provided, which affixes to the opposing side of the glass behind the unit. Cables may be run through the back of the unit (wall mount only) or through one of the raceway knockouts located on the bottom or either side of the unit.

Specifications

Construction

Housing	Plastic, smooth black or white finish
Surface Mounting	Peel-and-stick adhesive mount to glass or other flat, smooth surface
Wall Mounting	Attaches to a wall or to a 2-gang or 3-gang US electrical box, horizontally-oriented 1-gang US electrical box, 2-gang European electrical box, or 2-gang UK electrical box

Dimensions

Surface mount without touch screen	Height: 4.45 in. (113 mm); Width: 5.96 in. (151 mm); Depth: 2.50 in. (63 mm)
Wall mount without touch screen	Height: 5.11 in. (130 mm); Width: 6.71 in. (170 mm); Depth: 2.77 in. (70 mm)
Surface mount with TSW-770	Height: 4.76 in. (121 mm); Width: 6.80 in. (173 mm); Depth: 3.07 in. (78 mm)
Wall mount with TSW-770 installed	Height: 5.11 in. (130 mm); Width: 6.80 in. (173 mm); Depth: 3.35 in. (85 mm)
Surface mount with TSW-1070 installed	Height: 5.60 in. (142 mm); Width: 9.46 in. (240 mm); Depth: 3.38 in. (86 mm)
Wall mount with TSW-1070 installed	Height: 6.22 in. (158 mm); Width: 9.46 in. (240 mm); Depth: 3.66 in. (93 mm)

Models

TSW-770/1070-MSMK-ANG-B-S

Multisurface Mount Kit for TSW-770 and TSW-1070 Series, Angled, Black Smooth

TSW-770/1070-MSMK-ANG-W-S

Multisurface Mount Kit for TSW-770 and TSW-1070 Series, Angled, White Smooth

TSW-770/1070-MSMK-ANG

Multisurface Mount Kit for TSW-770 and TSW-1070 Series, Angled

This product may be purchased from select authorized Crestron dealers and distributors. To find a dealer or distributor, please contact the Crestron sales representative for your area. A list of sales representatives is available online at www.crestron.com/How-To-Buy/Find-a-Representative or by calling 855-263-8754.

This product is covered under the Crestron standard limited warranty. Refer to www.crestron.com/warranty for full details.

The specific patents that cover Crestron products are listed online at patents.crestron.com.

Certain Crestron products contain open source software. For specific information, please visit www.crestron.com/opensource.

Crestron and the Crestron logo are either trademarks or registered trademarks of Crestron Electronics, Inc. in the United States and/or other countries. Other trademarks, registered trademarks, and trade names may be used in this document to refer to either the entities claiming the marks and names or their products. Crestron disclaims any proprietary interest in the marks and names of others. Crestron is not responsible for errors in typography or photography.

Specifications are subject to change without notice.

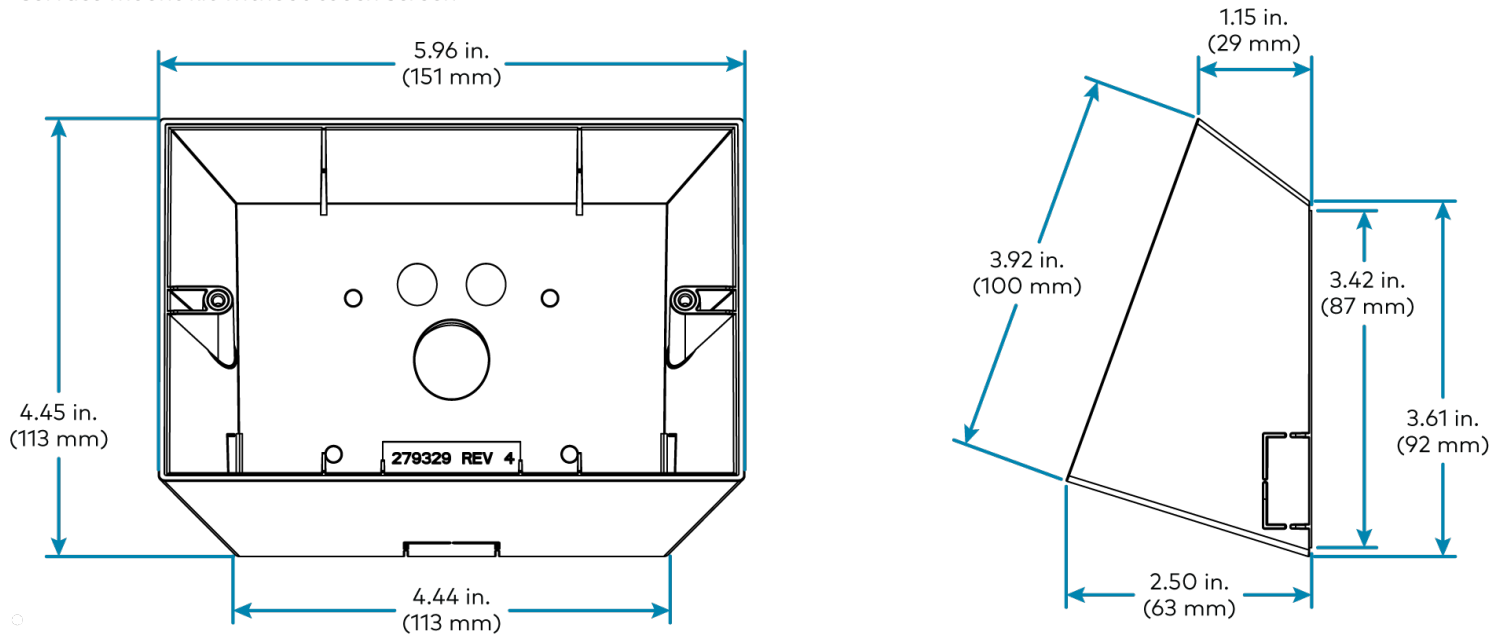
©2021 Crestron Electronics, Inc.

Rev 05/20/21

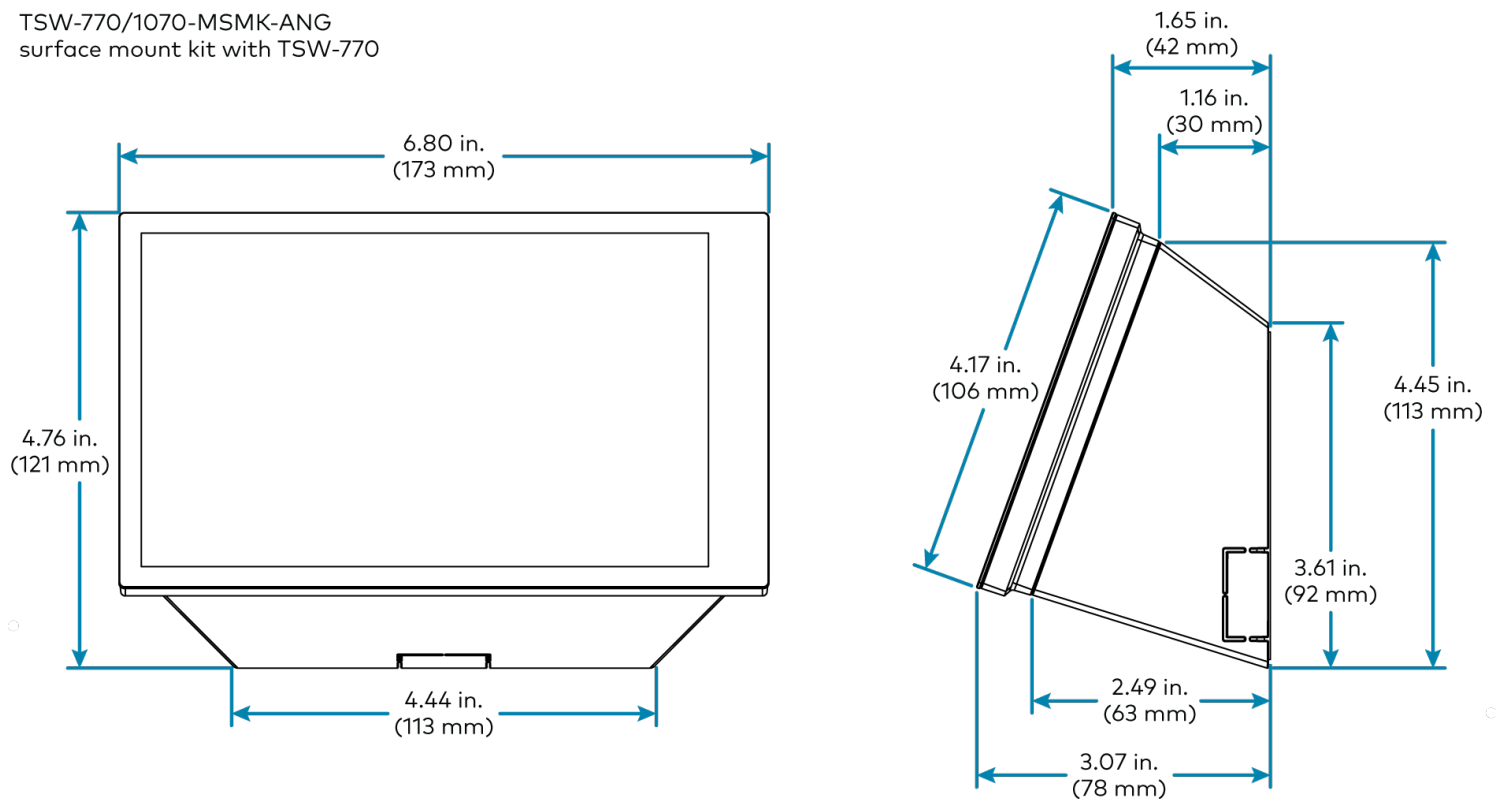
TSW-770/1070-MSMK-ANG

Multisurface Mount Kit for TSW-770 and TSW-1070 Series, Angled

TSW-770/1070-MSMK-ANG
surface mount kit without touch screen



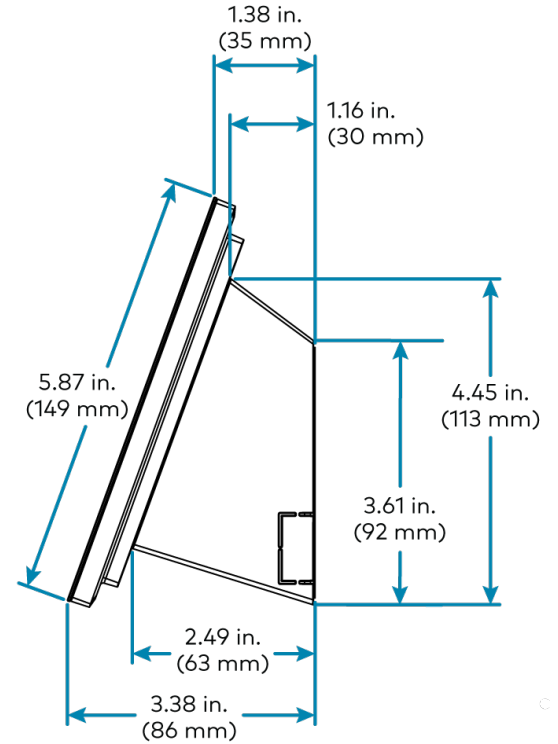
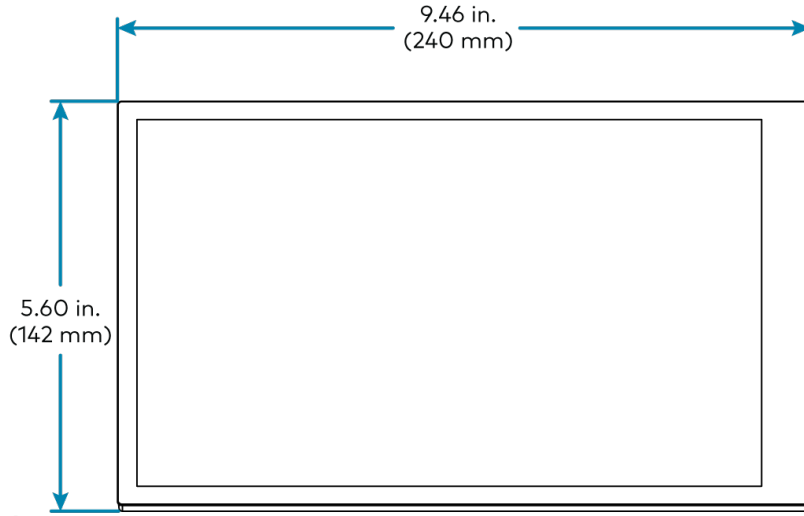
TSW-770/1070-MSMK-ANG
surface mount kit with TSW-770



TSW-770/1070-MSMK-ANG

Multisurface Mount Kit for TSW-770 and TSW-1070 Series, Angled

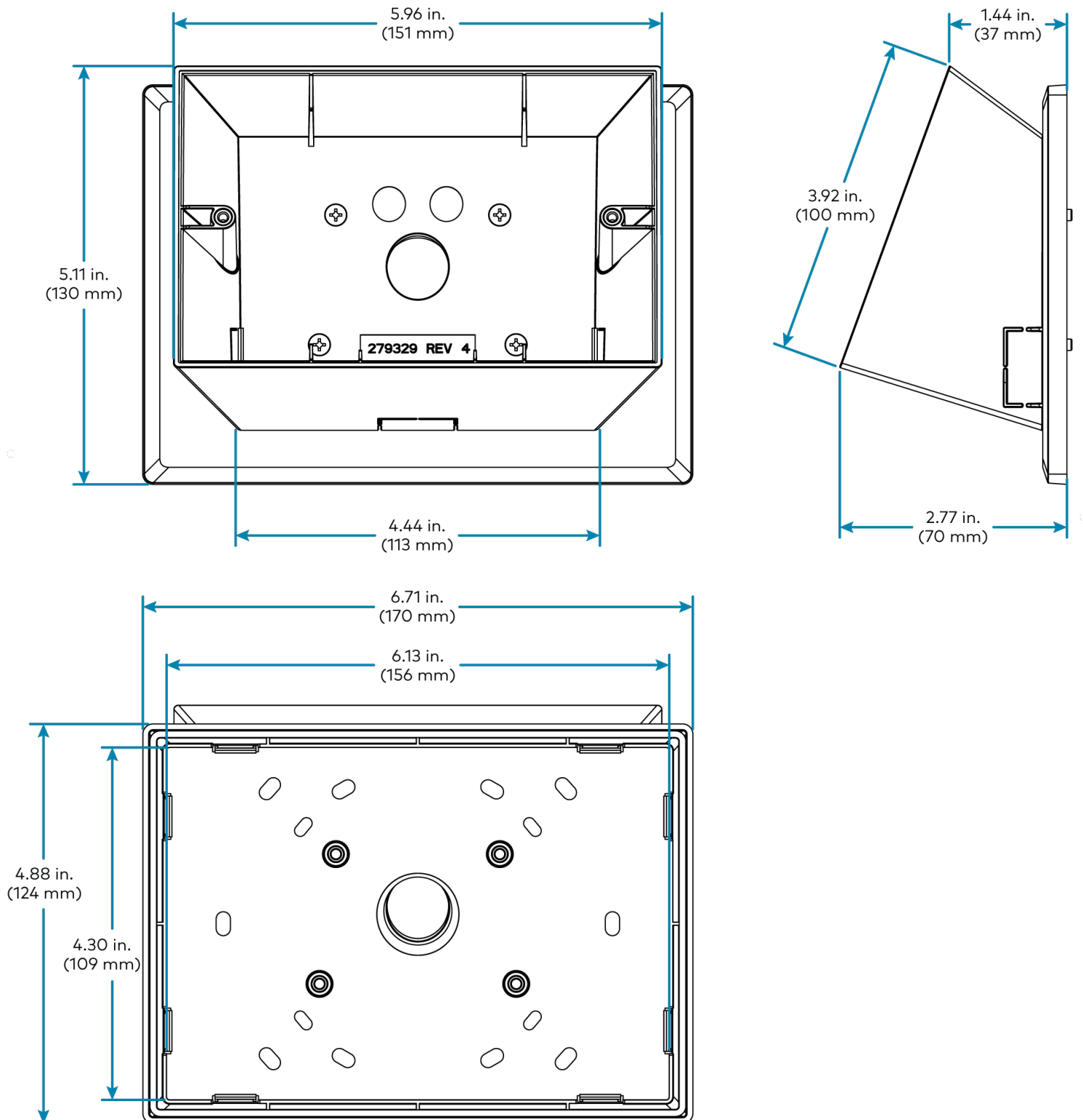
TSW-770/1070-MSMK-ANG
surface mount kit with TSW-1070



TSW-770/1070-MSMK-ANG

Multisurface Mount Kit for TSW-770 and TSW-1070 Series, Angled

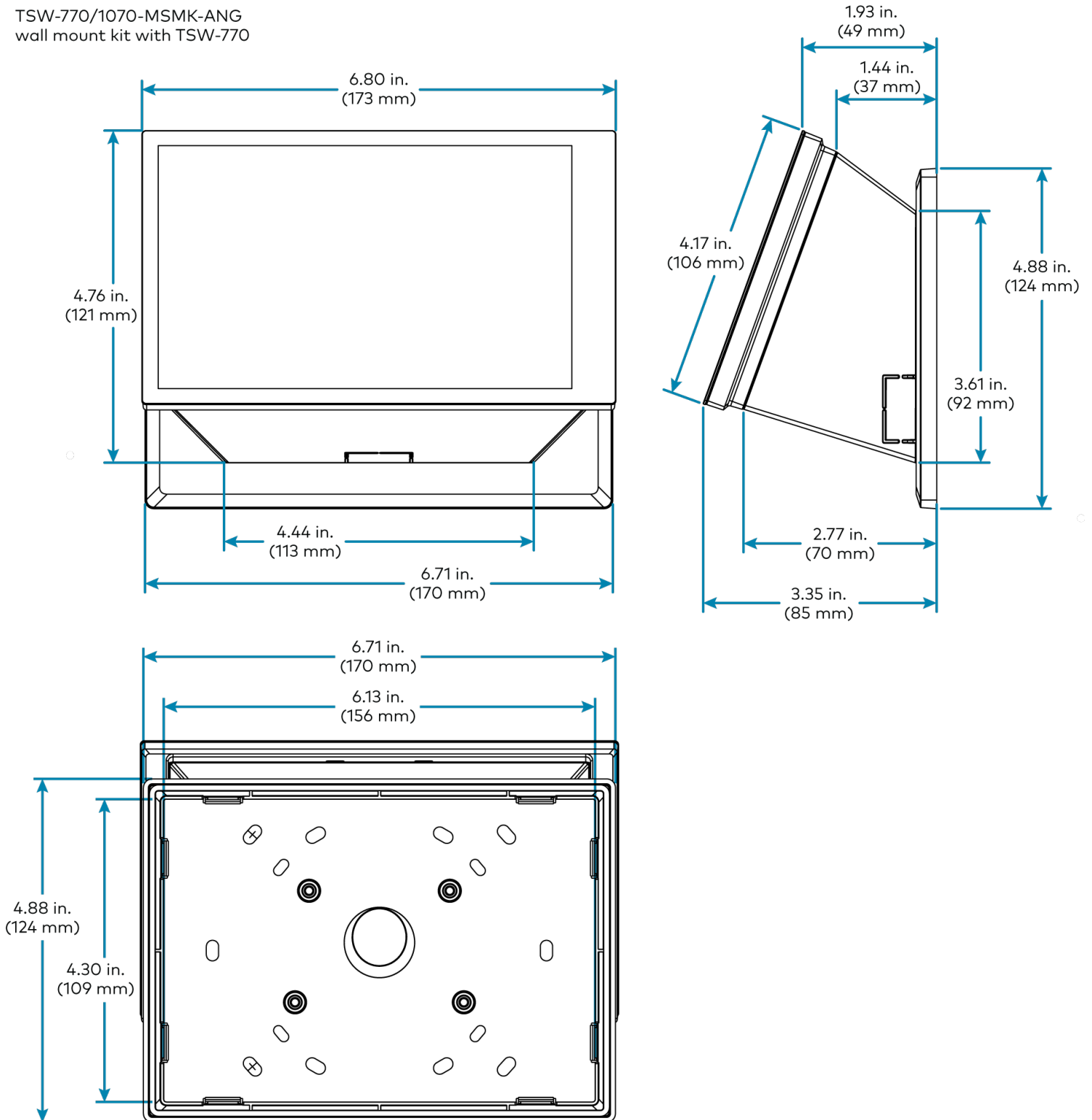
TSW-770/1070-MSMK-ANG
wall mount kit without touch screen



TSW-770/1070-MSMK-ANG

Multisurface Mount Kit for TSW-770 and TSW-1070 Series, Angled

TSW-770/1070-MSMK-ANG
wall mount kit with TSW-770



TSW-770/1070-MSMK-ANG

Multisurface Mount Kit for TSW-770 and TSW-1070 Series, Angled

TSW-770/1070-MSMK-ANG
wall mount kit with TSW-1070

