

Crestron **BBI-CBF**

Back Box

---

Installation Guide

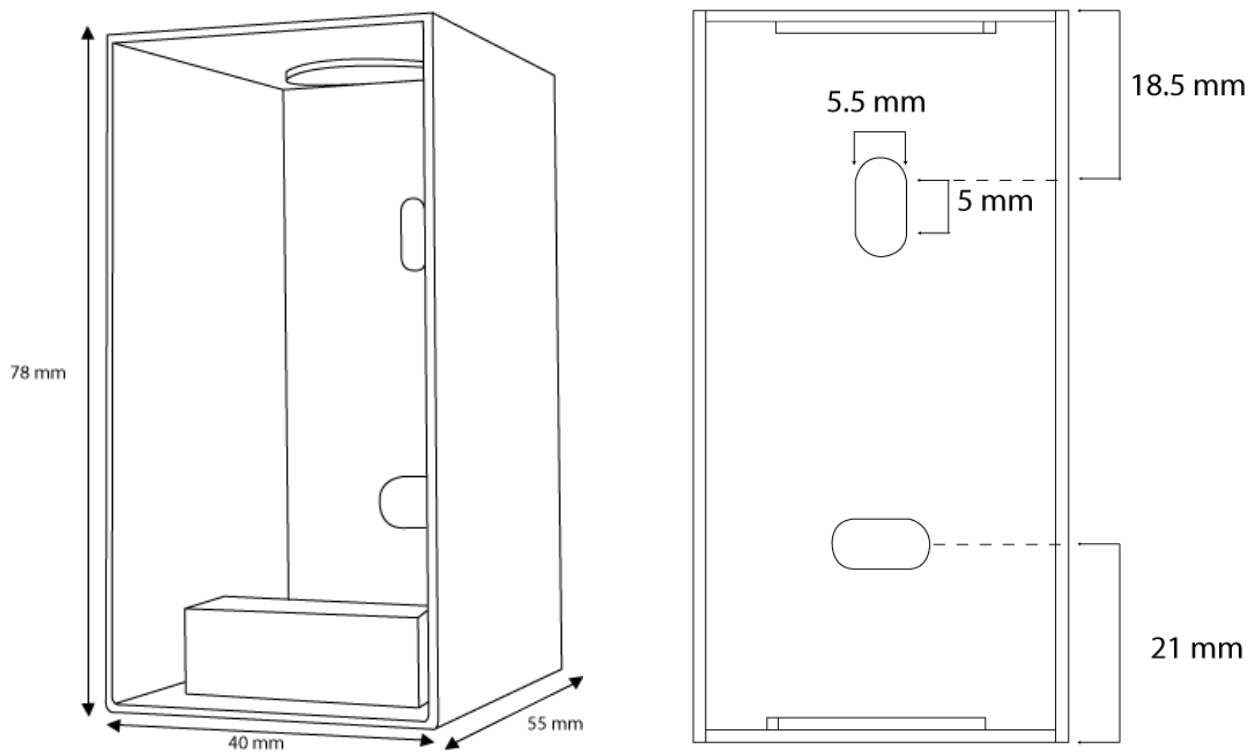


## Description

---

The back box, BBI-CBF is the optional mounting hardware that is part of the Crestron Home total control system. The BBI-CBF secures a Crestron series Cameo C2N-CBF-P in a CONCRETE or BRICK wall ONLY.

The view and dimensions of the BBI-CBF are shown below:



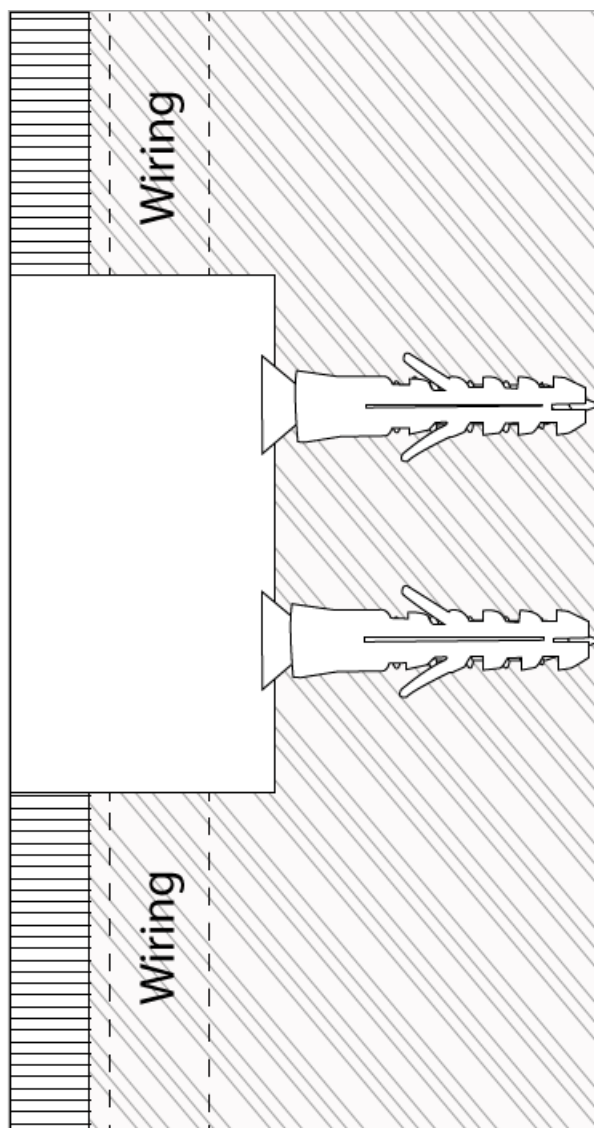
## Installation

---

Fix the back box into the wall using suitable fixings (not supplied). Use the internal spirit level to ensure the back box is level!

Failure to fit back box level will result in a poor quality installation

Skim the coat plaster and remove the spirit level. Fit the Crestron product into the back box.



The Edge of the BBI-CBF should be no less than 5mm from the finished wall or surface.

## Further Inquiries

---

If after reviewing this Installation Guide for the BBI-CBF, you cannot locate specific information or have questions, please take advantage of Crestron's technical support team by calling your local Crestron satellite office or Crestron International at +32-15-50-99-20.