

Crestron SmarTouch™ CT-1550

Economical 5.7" Compact Touchpanel



The CT-1550 is a low-cost tabletop touchpanel featuring a 5.7" passive matrix color touchscreen in a stylish and compact portable design. ColorTouch™ graphics and a wired Cresnet connection combine to deliver a reliable, space-efficient touchpanel control solution.

SmarTouch—A SmarTouch touchpanel offers an ideal user-interface for controlling home theater, boardroom AV and a host of other applications, providing a wide-open canvas for the creation of custom control screens tailored to the user's unique needs and tastes. Incredibly compact and portable, the SmarTouch touchpanel does away with piles of remotes and cryptic control panels, affording true "one-touch" control over a broad range of complex devices and systems.

Cresnet®—Cresnet connectivity provides a single-cable connection to the control system, delivering reliable wired performance with fully bidirectional communication to support true-feedback, dynamic text, and animation capabilities.

Portable Tabletop Design—The CT-1550 features a sleek, contoured design optimized for tabletop use. Its compact size and single cable connection make it easy to disconnect and relocate for portable applications.

- > *5.7" Passive Matrix Touchscreen Display*
- > *320 x 240 Resolution*
- > *256 Color ColorTouch Graphics*
- > *Audible "Key Click"*
- > *Cresnet Communications*
- > *Single-Cable Connection*
- > *Lightweight Contoured Design for Tabletop and Handheld Use*

SPECIFICATIONS

Touchscreen Display

Display Type: Passive matrix color LCD
Size: 5.7 inch (14.5 cm) diagonal
Resolution: 320 x 240 pixels
Illumination: Backlit fluorescent
Viewing Angle: ±50° horizontal, +40°/-50° vertical
Touchscreen: Resistive membrane

Memory

1 MB flash

Graphic Engine

ColorTouch, 256 colors

Connectors

NET: (1) 6-pin RJ11 female
Connects to CNRJ11 interface module (included) via 12 foot modular cable provided

Power Requirements

Cresnet Power Usage: 8 Watts (0.34 Amp @ 24 Volts DC)

Environmental

Temperature: 50° to 113°F (10° to 45°C)
Humidity: 10% to 90% RH (non-condensing)

Enclosure

High impact black/silver injection-molded case

Dimensions

Height: 3.69 in (9.37 cm)
Width: 8.75 in (22.23 cm)
Depth: 5.42 in (13.77 cm)

Weight

1.85 lbs (0.84 kg)

SPECIFICATIONS for CNRJ11 Interface Module (included with CT-1550):

Connectors

NET: (1) 4-pin 5mm detachable terminal block
Connects to Cresnet control network

NET: (1) 6-pin RJ11 female
Connects to touchpanel via 12 foot modular cable provided

LED Indicators

PWR: (Green) indicates that 24VDC Cresnet power is present

Enclosure

Black metal, surface mount box with (2) integral mounting flanges

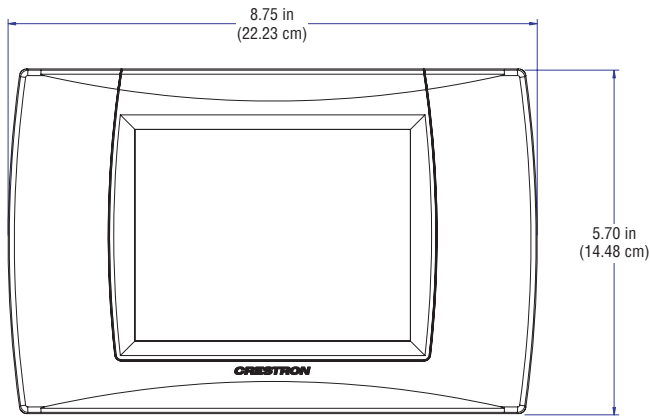
Dimensions

Height: 1.24 in (3.14 cm)
Width: 3.25 in (8.26 cm)
Depth: 2.00 in (5.08 cm)

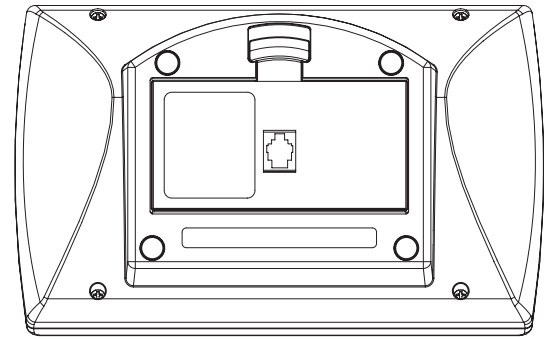
Weight

0.3 lb (0.15 kg)

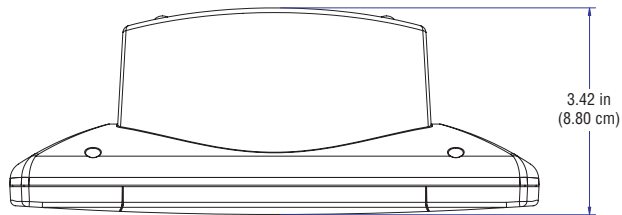
Crestron SmarTouch™ CT-1550 Economical 5.7" Compact Touchpanel



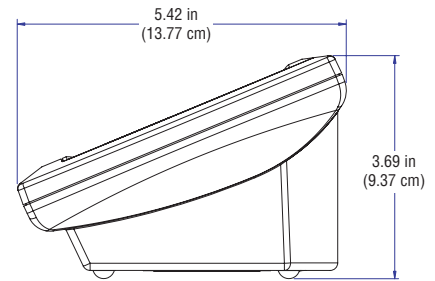
CT-1550 Touchpanel – Top View (face up)



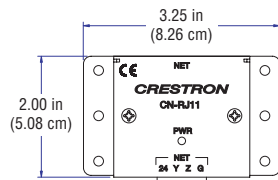
CT-1550 Touchpanel – Bottom View



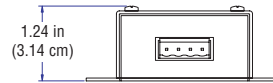
CT-1550 Touchpanel – Rear View (face down)



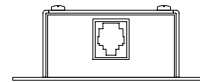
CT-1550 Touchpanel – Right Side View



CNRJ11 Interface Module – Top View



CNRJ11 Interface Module – Front View



CNRJ11 Interface Module – Rear View

AVAILABLE ACCESSORIES



CNRJ11
Interface Module
(1 included)