

## Faceplate for Horizon™ In-Wall Devices

Crestron® HZ-FP-G series faceplates are essential installation components for Horizon™ devices. Horizon faceplates provide a finished appearance with customizable design elements.

HZ-FP-G faceplates are available in single- or multigang sizes and provide perfect alignment of the keypad(s) within the faceplate.



### In the Box

- 1 HZ-FP-G1, HZ-FP-G2, HZ-FP-G3, or HZ-FP-G4,<sup>1</sup> Faceplate for Horizon In-Wall Devices

#### Additional Items for HZ-FP-G1

- 2 Trim Plate, Smooth<sup>1</sup>
- 2 Trim Plate, Textured<sup>1</sup>
- 2 Screw, 4-40 x 1/4 in., Undercut Head, Phillips (2050242)<sup>2</sup>
- 1 Plate, Metal, Mounting, Upper, 1 Gang (2052837)
- 1 Plate, Metal, Mounting, Lower, 1 Gang (2052838)

#### Additional Items for HZ-FP-G2

- 2 Trim Plate, Smooth<sup>1</sup>
- 2 Trim Plate, Textured<sup>1</sup>
- 4 Screw, 4-40 x 1/4 in., Undercut Head, Phillips (2050242)<sup>2</sup>
- 1 Spacer, Multigang Alignment (2049924)
- 1 Plate, Metal, Mounting, Upper, 2 Gang (2052839)
- 1 Plate, Metal, Mounting, Lower, 2 Gang (2052840)

#### Additional Items for HZ-FP-G3

- 2 Trim Plate, Smooth<sup>1</sup>
- 2 Trim Plate, Textured<sup>1</sup>
- 4 Screw, 4-40 x 1/4 in., Undercut Head, Phillips (2050242)<sup>2</sup>
- 2 Spacer, Multigang Alignment (2049924)
- 1 Plate, Metal, Mounting, Upper, 3 Gang (2052841)
- 1 Plate, Metal, Mounting, Lower, 3 Gang (2052842)

#### Additional Items for HZ-FP-G4

- 2 Trim Plate, Smooth<sup>1</sup>
- 2 Trim Plate, Textured<sup>1</sup>
- 8 Screw, 4-40 x 1/4 in., Undercut Head, Phillips (2050242)<sup>2</sup>
- 3 Spacer, Multigang Alignment (2049924)
- 1 Plate, Metal, Mounting, Upper, 4 Gang (2052843)
- 1 Plate, Metal, Mounting, Lower, 4 Gang (2052844)

1. Refer to the HZ-FP-G1, HZ-FP-G2, HZ-FP-G3, or HZ-FP-G4 product page at [crestron.com](https://crestron.com) for a complete list of color and texture variations.
2. Black faceplates use Screw, 4-40 x 1/4 in., Undercut Head, Phillips, Black (2007152)

## Faceplate for Horizon™ In-Wall Devices



### Installation

**CAUTION:** Do not mix high- and low-voltage devices in the same electrical box without an approved barrier.

Install the faceplate.

1. Turn the system power OFF and wire the device(s) as described in its manual, which is available at [www.crestron.com/manuals](http://www.crestron.com/manuals).

#### NOTES:

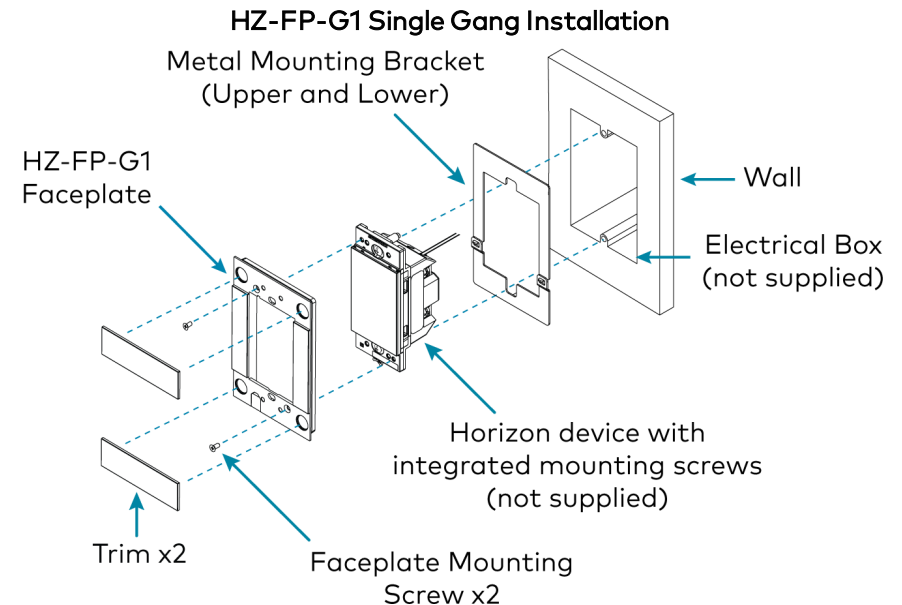
- If an HZ-KPCN will be installed in a multigang configuration, remove the 4-40 x 1/4 in. faceplate mounting screws and then remove the preinstalled HZ-FP-G1 faceplate from the HZ-KPCN.
- For multigang installations, insert an alignment spacer between adjacent devices to maintain proper alignment and spacing.

2. Fold the wires into the electrical box. Avoid pinched wires.
3. Secure the Horizon device(s) to the electrical box using the integrated mounting screws on the device(s). To allow for adjustments, do not fully tighten the screws at this time. Ensure that any text on the device is properly oriented and facing up.
4. Place the metal mounting bracket over the back of the device. The two parts of the metal mounting bracket clip together to allow wiring to remain in place.

**NOTE:** When installing the HZ-FP-G faceplate over an old work electrical box, do not use the metal mounting bracket.

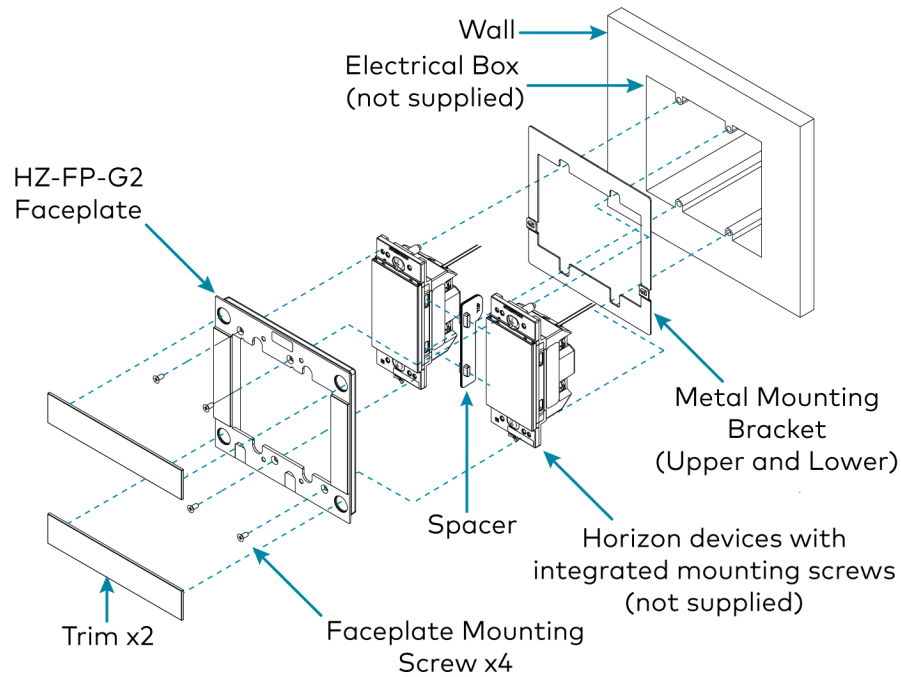
5. Attach the HZ-FP-G to the device(s) using the included 4-40 x 1/4 in. faceplate mounting screws. Ensure that the "Top" label is properly oriented and facing up.

6. Ensure that the Horizon device(s) is properly aligned within the HZ-FP-G and then fully tighten the integrated mounting screws to secure the device to the electrical box.
7. Attach the magnetic top and bottom trim pieces to the HZ-FP-G.
8. Turn the system power ON.



## Faceplate for Horizon™ In-Wall Devices

### HZ-FP-G2 Multigang Installation

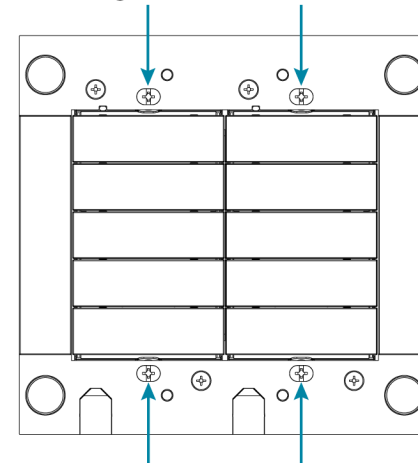


### Adjust the Faceplate

To ensure proper alignment of the HZ-FP-G Series faceplate over a Horizon device, perform the following:

1. Remove the magnetic top and bottom trim pieces from the faceplate.
2. Using a #1 Phillips screwdriver through the holes in the faceplate, loosen the integrated mounting screws that secure the keypad, dimmer, or switch to the electrical box.
3. Ensure that the faceplate is properly aligned and tighten the screws.
4. Reattach the magnetic top and bottom trim pieces to the faceplate.

Adjust the faceplate using the integrated mounting screws indicated below.



## Faceplate for Horizon™ In-Wall Devices



### Visit the Product Page

Scan the QR code to visit the product page.

HZ-FP-G1



[www.crestron.com/model/6509706](http://www.crestron.com/model/6509706)

HZ-FP-G2



[www.crestron.com/model/6509709](http://www.crestron.com/model/6509709)

HZ-FP-G3



[www.crestron.com/model/6509712](http://www.crestron.com/model/6509712)

HZ-FP-G4



[www.crestron.com/model/6509715](http://www.crestron.com/model/6509715)

### Additional Information

#### Original Instructions

The U.S. English version of this document is the original instructions. All other languages are a translation of the original instructions.

Crestron product development software is licensed to Crestron dealers and Crestron Service Providers (CSPs) under a limited nonexclusive, nontransferable Software Development Tools License Agreement. Crestron product operating system software is licensed to Crestron dealers, CSPs, and end-users under a separate End-User License Agreement. Both of these Agreements can be found on the Crestron website at [www.crestron.com/legal/software\\_license\\_agreement](http://www.crestron.com/legal/software_license_agreement).

The product warranty can be found at [www.crestron.com/warranty](http://www.crestron.com/warranty).

The specific patents that cover Crestron products are listed at [www.crestron.com/legal/patents](http://www.crestron.com/legal/patents).

Certain Crestron products contain open source software. For specific information, visit [www.crestron.com/opensource](http://www.crestron.com/opensource).

Crestron, the Crestron logo, and Horizon are either trademarks or registered trademarks of Crestron Electronics, Inc. in the United States and/or other countries. Other trademarks, registered trademarks, and trade names may be used in this document to refer to either the entities claiming the marks and names or their products. Crestron disclaims any proprietary interest in the marks and names of others. Crestron is not responsible for errors in typography or photography.

©2020 Crestron Electronics, Inc.

Doc ID 8286C  
(2053137)

02/18/20