

## Zūm® Floor Hub

The Crestron® Zūm® Floor Hub enables centralized management and time clock for Zūm wireless commercial lighting systems. The device provides a web-based user interface for easy configuration, control, monitoring, and scheduling. The time clock feature enables automation of room lighting and sensing behavior. The Zūm Floor Hub supports up to 1,000 individual rooms equipped with Zūm lighting systems. The device also enables integration with other Crestron lighting systems, control systems, touch screens, shading, HVAC, and more.



### In the Box

- 1 ZUM-FLOOR-HUB, Zūm® Floor Hub

#### Additional Items

- 1 Connector, 4-Pin (2003576)
- 1 Power Pack, 24 VDC, 2.5 A, 100-240 VAC (2045873)
- 2 Bracket, Rack Ear, 1U (2032122)
- 4 Foot, 0.5 in. x 0.5 in. x 0.23 in., Rubber, Black (2002389)
- 1 Power Cord, 5 ft 10 in. (1.78 m) (2042043)



## Installation

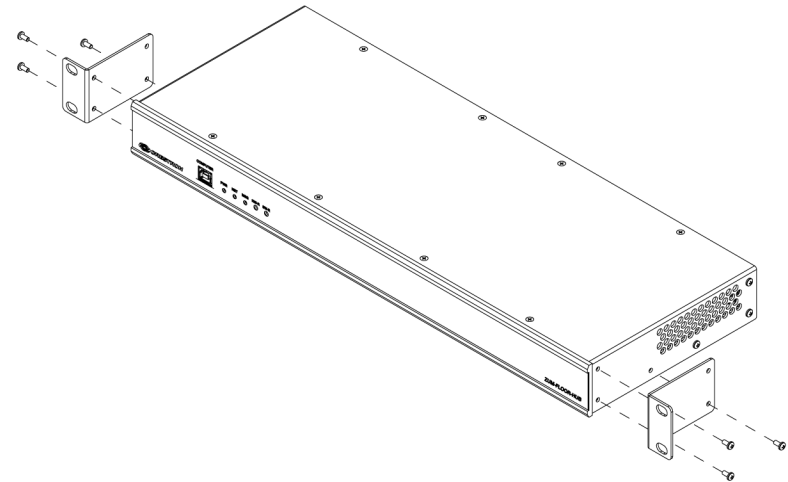
The ZUM-FLOOR-HUB can be mounted into a rack or placed onto a flat surface.

### Mounting Into a Rack

The ZUM-FLOOR-HUB occupies 1U of rack space.

To install the included rack ears:

1. Use a #1 or #2 Phillips screwdriver to remove the three screws from each side of the front of the device as shown in the following illustration.
2. Use the screwdriver and the screws removed in the previous step to attach the included rack ears to the device.
3. Mount the device into the rack using four mounting screws (not included).



## Zūm® Floor Hub

### Placing onto a Flat Surface

When placing the device onto a flat surface or stacking it with other equipment, attach the included feet near the corners on the underside of the device.

## Make Connections

### Hardware Hookup

Make the necessary connections as called out in [Connect the Control Subnet](#).

When making connections to the ZUM-FLOOR-HUB, note the following:

- Use Crestron power supplies for Crestron equipment.
- The included cable(s) cannot be extended.

#### NOTES:

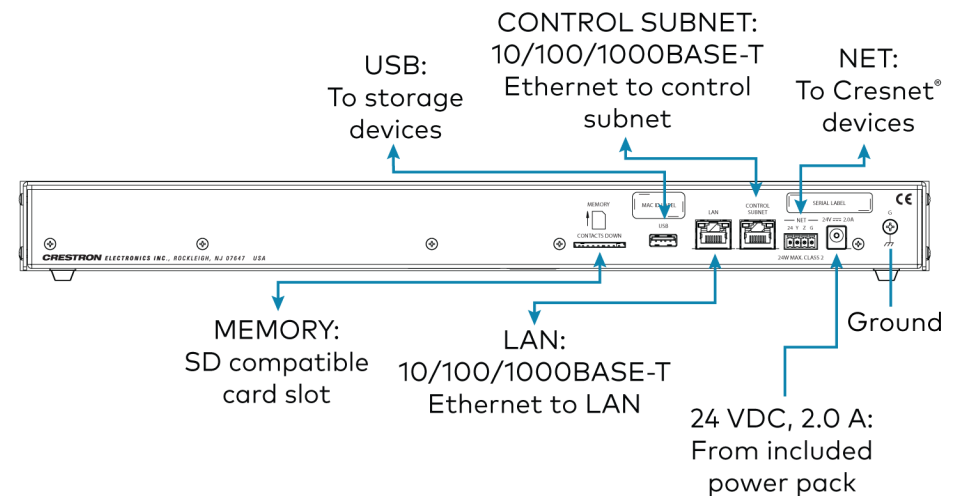
- Ensure the unit is properly grounded by connecting the chassis ground lug to an earth ground (building steel).
- The ZUM-FLOOR-HUB can be powered by the 4-position terminal block connector labeled NET or with the (included) 24 VDC power pack.

### Connect the Control Subnet

The ZUM-FLOOR-HUB has a dedicated Control Subnet that is used for communication between the control system and Crestron Ethernet devices. This subnet allows for dedicated communication between the control system and Crestron Ethernet devices without interferences from other network traffic on the LAN.

**NOTE:** Do not connect the CONTROL SUBNET port to the LAN. The CONTROL SUBNET port must be connected only to Crestron Ethernet devices.

For details on using the Control Subnet, refer to the [3-Series® Control Systems Reference Guide](#) (Doc. 7150).





### Configure the ZUM-FLOOR-HUB

The ZUM-FLOOR-HUB is configured using the web interface. Connect to the device by entering the device hostname into a web browser. The hostname is comprised of "ZUM-FL-" and the last 8 digits of the MAC address (e.g., ZUM-FL-7F8764BF). The New User Registration screen is displayed during the first connection. Enter the Username, Password, Firstname, Lastname, and Email Address, and then tap **Submit**.

### New User Registration

Username

Password

Firstname

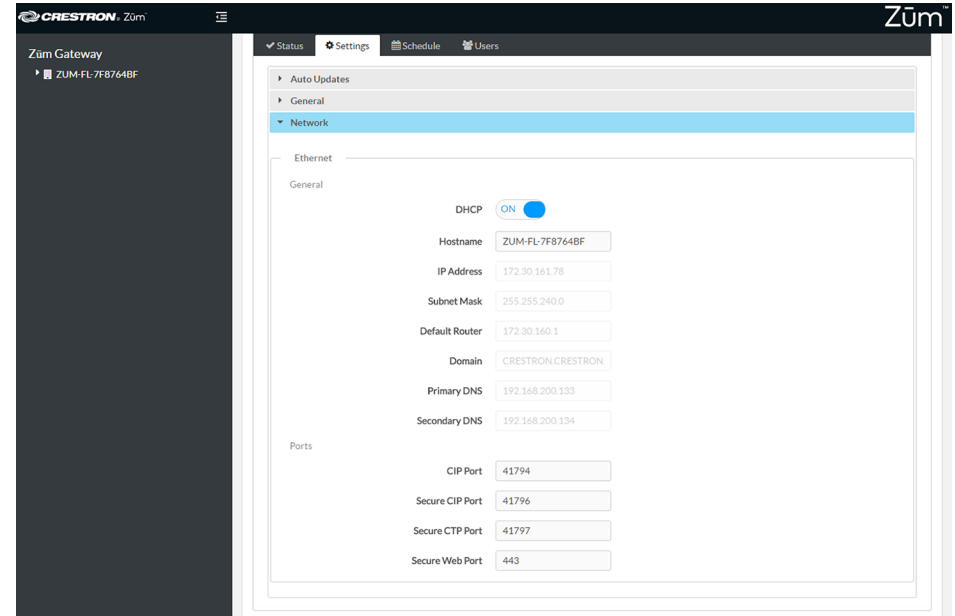
Lastname

Email Address

**Submit**

The ZUM-FLOOR-HUB settings page opens next, as shown below.

For further configuration, refer to the [ZUM-FLOOR-HUB Supplemental Guide](#) (Doc. 8355A).





### Visit the Product Page

Scan the QR code to visit the product page.

ZUM-FLOOR-HUB



[www.crestron.com/model/6507931](http://www.crestron.com/model/6507931)

### Additional Information

#### Original Instructions

The U.S. English version of this document is the original instructions. All other languages are a translation of the original instructions.

Crestron product development software is licensed to Crestron dealers and Crestron Service Providers (CSPs) under a limited nonexclusive, nontransferable Software Development Tools License Agreement. Crestron product operating system software is licensed to Crestron dealers, CSPs, and end-users under a separate End-User License Agreement. Both of these Agreements can be found on the Crestron website at [www.crestron.com/legal/software\\_license\\_agreement](http://www.crestron.com/legal/software_license_agreement).

The product warranty can be found at [www.crestron.com/warranty](http://www.crestron.com/warranty).

The specific patents that cover Crestron products are listed at [www.crestron.com/legal/patents](http://www.crestron.com/legal/patents).

Certain Crestron products contain open source software. For specific information, visit [www.crestron.com/opensource](http://www.crestron.com/opensource).

Crestron, the Crestron logo, 3-Series, Cresnet, and Zūm are either trademarks or registered trademarks of Crestron Electronics, Inc. in the United States and/or other countries. Other trademarks, registered trademarks, and trade names may be used in this document to refer to either the entities claiming the marks and names or their products. Crestron disclaims any proprietary interest in the marks and names of others. Crestron is not responsible for errors in typography or photography.

©2020 Crestron Electronics, Inc.

Doc ID 7912B

07/27/20