

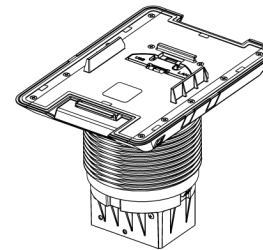
Swivel Mount Accessory for Crestron Flex Tabletop Small Room Conference Systems

The Crestron® [UCA-SMK-UC2](#) and [UCA-SMKR-UC2-3](#) are swivel mount accessories for Crestron Flex Tabletop Small Room Conference Systems. They enable tabletop conference device mounting with up to 170° rotation for optimal positioning. The UCA-SMK-UC2 is designed for mounting the [UC-MM30](#) series tabletop conference device. The UCA-SMKR-UC2-3 is designed for the [UC-MMX30](#) series tabletop conference device and has the following additional features:

- Retracts the installed USB-A to Micro USB-B cable, HDMI® cable, and USB-C® cable.
- Above the table, the USB-A, HDMI, and USB-C cables support Bring Your Own Device (BYOD) connectivity for the tabletop conference device.
- Below the table, the Micro USB-B, HDMI, and USB-C cables connect to the UC-PR which is included with the UC-MMX30.

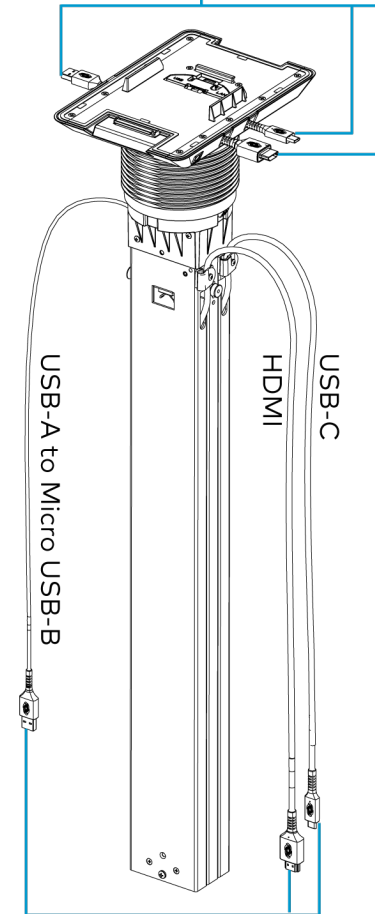
The UCA-SMK-UC2 and UCA-SMKR-UC2-3 have similar installation instructions. For simplicity within this guide, the term "swivel mount accessory" is used except where otherwise noted.

UCA-SMK-UC2
Swivel Mount



UCA-SMKR-UC2-3
Swivel Mount Cable Retractor

Cable retractor end of the USB-A to Micro USB-B, HDMI, and USB-C cables. Connect to BYOD device.



Connect to UC-PR (included with UC-MMX30).



In the Box

- 1 UCA-SMK-UC2 or UCA-SMKR-UC2-3 Swivel Mount Accessory

Additional Items

- 1 Locking ring with screws (4519116)
- 1 Cutout Template (4532125)
- 1 Allen wrench, 3/32 in. (2036829)

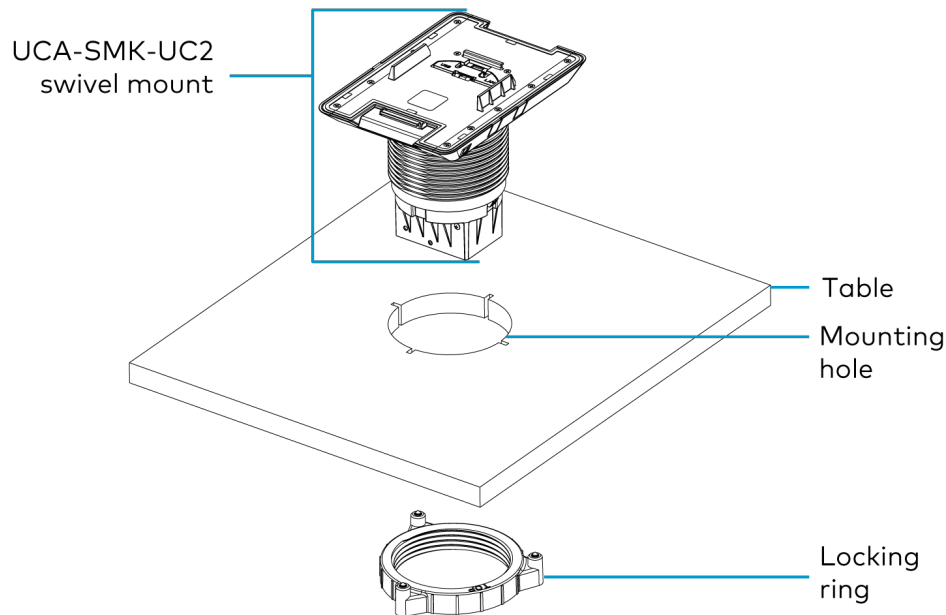
Swivel Mount Accessory for Crestron Flex Tabletop Small Room Conference Systems



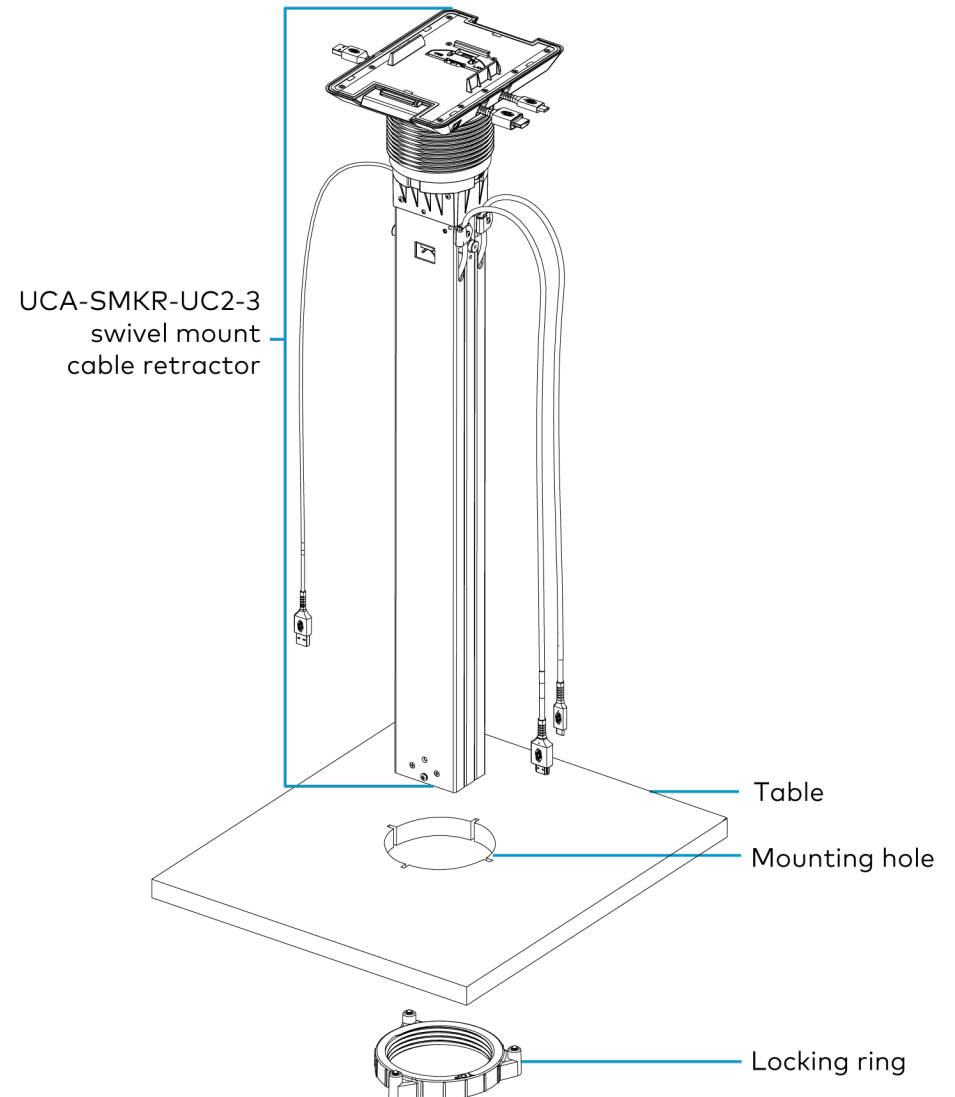
Install the Swivel Mount Accessory

Install the swivel mount accessory on any flat, level surface with a thickness of 1/2 in. (13 mm) minimum to 1-1/4 in. (32 mm) maximum. The LAN and USB cables for the UC-MM30 or UC-MMX30 tabletop conference device route through the cable cover of the swivel mount accessory, passing beneath the mounting surface for a completely hidden appearance. Refer to the [Install the Swivel Mount Accessory](#) section for more information.

UCA-SMK-UC2



UCA-SMKR-UC2-3



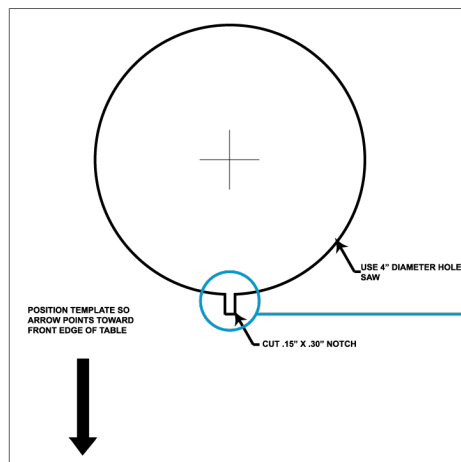
Swivel Mount Accessory for Crestron Flex Tabletop Small Room Conference Systems

Mount the Swivel Mount Accessory

When determining the mounting location, consider where users will be seated and their proximity to the swivel mount accessory and the tabletop conferencing system. The mounting location must accommodate a 170° swivel range. Additionally, the UCA-SMKR-UC2-3 requires a 27.42 in. (696 mm) clearance for the cable retractor body below the table.

A 4 in. hole saw, a jigsaw, a 3/32 in. Allen wrench (included), and the cutout template (included) are required to mount the swivel mount accessory.

1. Secure the cutout template to the mounting location. The notch on the template and the swivel mount accessory indicates the front of the swivel mount accessory.



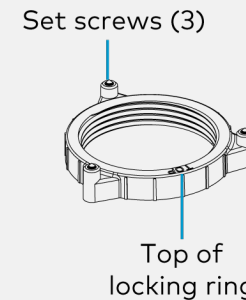
Notch indicates the front of the swivel mount accessory

2. Use a hole saw (not included) to drill a 4 in. hole in the table.
3. Use a jig saw (not included) to cut the front notch.
4. Insert the body of the swivel mount accessory into the mounting hole. Match the notch on the front of the swivel mount accessory with the notch in the table.

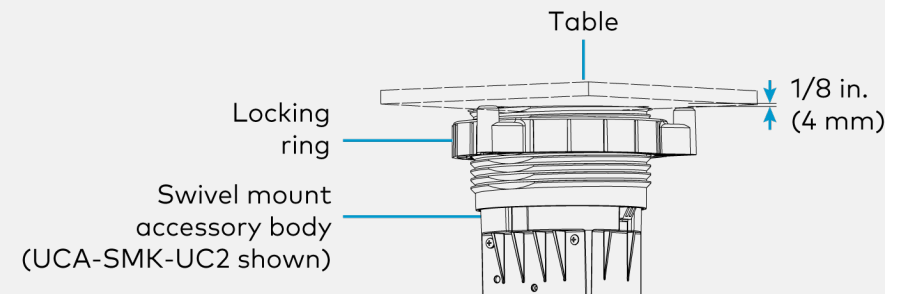
5. Beneath the table, twist the included locking ring onto the body of the swivel mount accessory.

NOTES:

- Make sure the surface of the locking ring labeled TOP faces the bottom of the table.

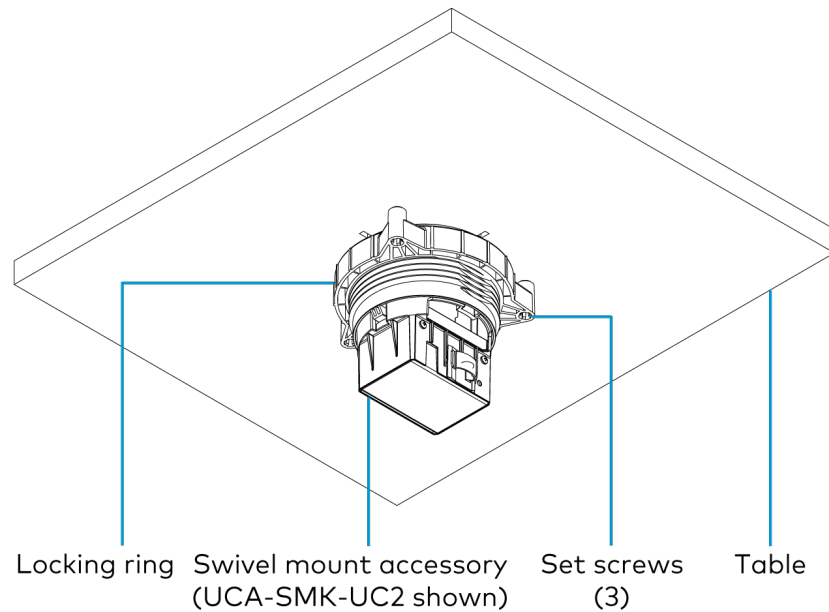


- Leave a 1/8 in. (4 mm) gap between the locking ring and the bottom of the table.



Swivel Mount Accessory for Crestron Flex Tabletop Small Room Conference Systems

- Secure the locking ring to the bottom of the table. Use a 3/32 in. Allen wrench (included) to tighten the three set screws included with the locking ring.



Swivel Mount Accessory for Crestron Flex Tabletop Small Room Conference Systems

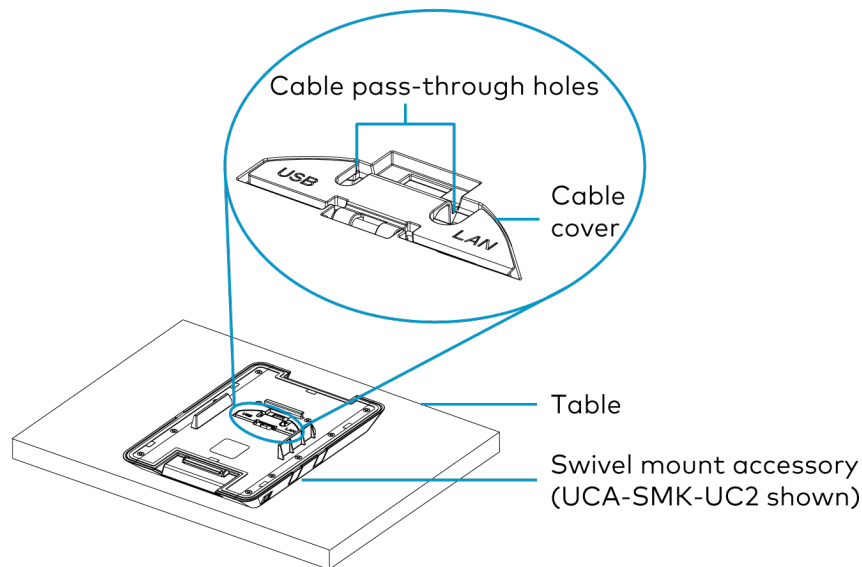


Connect and Dock the Tabletop Conference Device

Make the USB and LAN connections to the tabletop conference device before docking it to the swivel mount accessory, as the device blocks access to the cable cover pass-through holes. Once docked, continue making connections to the tabletop conference device.

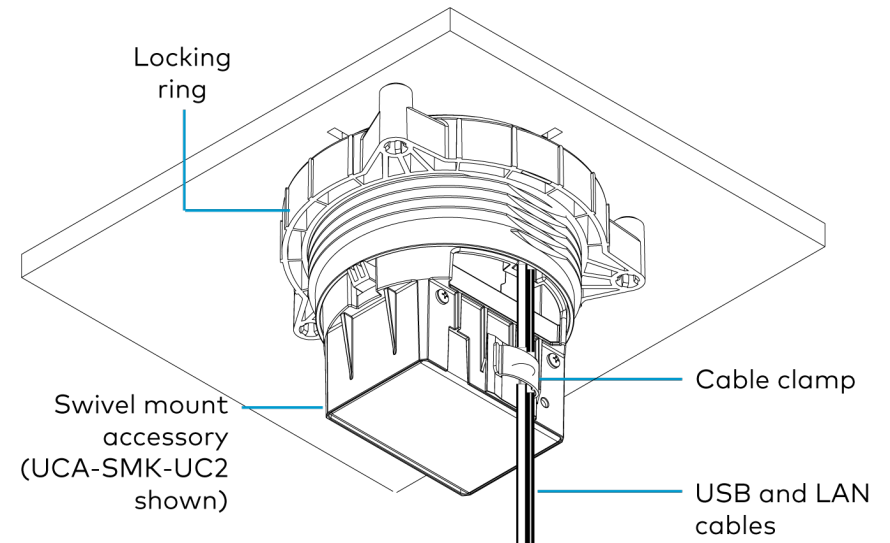
To make the USB and LAN connections to the tabletop conference device:

1. Route the USB and LAN cables along the outside of the swivel mount body through cable cover pass-through holes.



2. Connect the USB and LAN cables to the tabletop conference device.

3. Use the optional cable clamp to hold the USB and LAN cables in place.

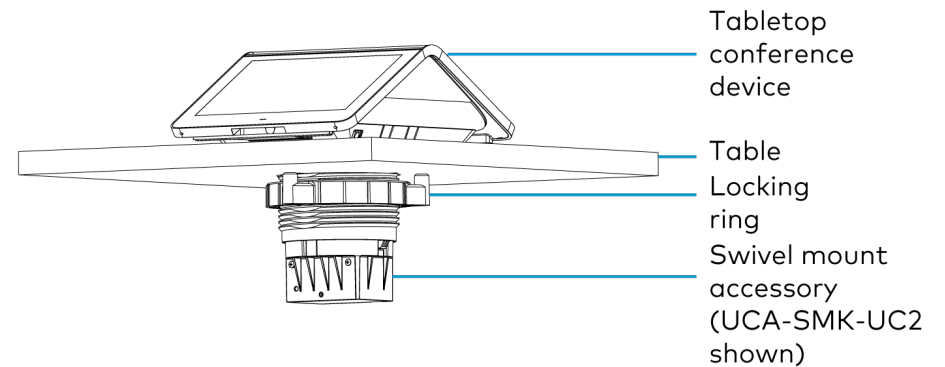
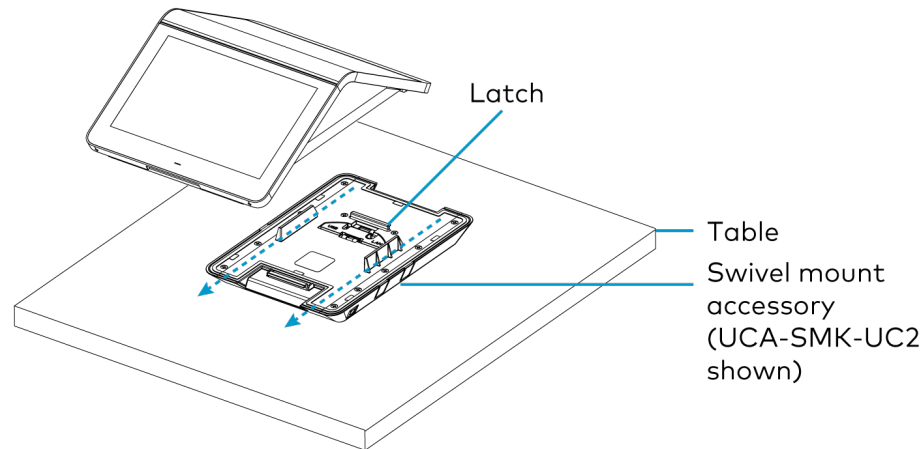


Swivel Mount Accessory for Crestron Flex Tabletop Small Room Conference Systems

Dock the Tabletop Conference Device

Dock the tabletop conference device to the swivel mount accessory.

1. Position the tabletop conference device above the swivel mount surface.
2. Slide the tabletop conference device onto the swivel mount accessory, moving the device back to front. The device must engage with the latch at the back of the swivel mount accessory.
3. Gently press the tabletop conference device to engage it with the swivel mount accessory.



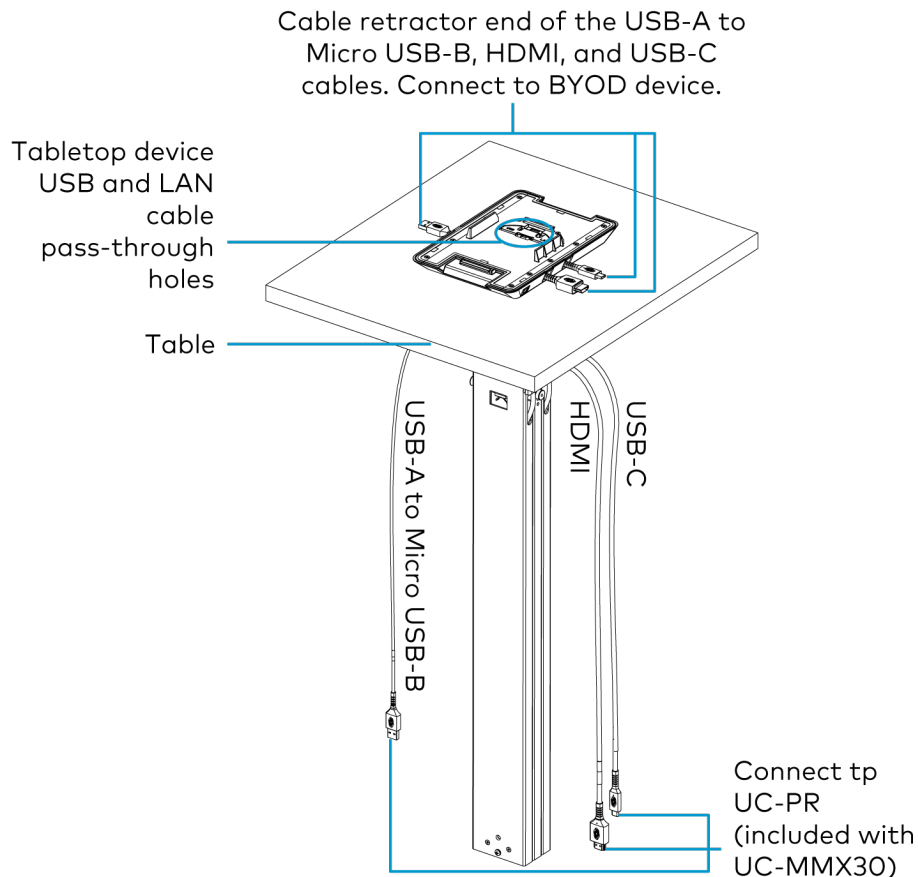
Swivel Mount Accessory for Crestron Flex Tabletop Small Room Conference Systems

Continue Connecting the Tabletop Device

Connect the USB and LAN cables to the source devices.

For the UCA-SMKR-UC2-3, connect the BYOD and UC-PR connections.

UCA-SMKR-UC2-3



For details on the tabletop device connections, refer to the tabletop conference device Quick Start.

[UC-MM30-T and UC-MM30-T-I](#) (Doc. 8836)

[UC-MM30-TA and UC-MM30-TA-I](#) (Doc. 8711)

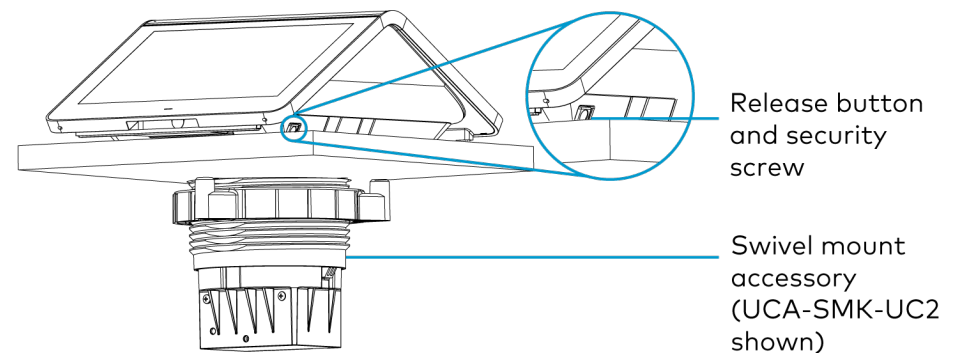
[UC-MM30-Z and UC-MM30-Z-I](#) (Doc. 8837)

[UC-MMX30-T and UC-MMX30-T-I](#) (Doc. 8881)

[UC-MMX30-Z and UC-MMX30-Z-I](#) (Doc. 8880)

Lock the Tabletop Conference Device

To lock the tabletop conference device to the swivel mount accessory, locate the release button and the security screw. Use a 3/23 in. Allen wrench (included) to tighten the security screw. Ten clockwise revolutions locks the release button.



Unlock the Tabletop Conference Device

If the tabletop conference device is locked to the swivel mount accessory, locate the security screw and use a 3/32 in. Allen wrench to release the security screw. Ten counterclockwise revolutions unlocks the security screw. Press the release button to disengage the latch on the swivel mount accessory, and slide the tabletop conference device off of the swivel mount accessory.

Swivel Mount Accessory for Crestron Flex Tabletop Small Room Conference Systems



Visit the Product Page

Scan the QR code to visit the product page.

UCA-SMK-UC2



www.crestron.com/model/6511567

UCA-SMKR-UC2-3



www.crestron.com/model/6511362

Additional Information

Original Instructions

The U.S. English version of this document is the original instructions. All other languages are a translation of the original instructions.

Crestron product development software is licensed to Crestron dealers and Crestron Service Providers (CSPs) under a limited nonexclusive, nontransferable Software Development Tools License Agreement. Crestron product operating system software is licensed to Crestron dealers, CSPs, and end-users under a separate End-User License Agreement. Both of these Agreements can be found on the Crestron website at www.crestron.com/legal/software_license_agreement.

The product warranty can be found at www.crestron.com/warranty.

The specific patents that cover Crestron products are listed at www.crestron.com/legal/patents.

Certain Crestron products contain open source software. For specific information, visit www.crestron.com/opensource.

Crestron and the Crestron logo are either trademarks or registered trademarks of Crestron Electronics, Inc. in the United States and/or other countries. HDMI the HDMI logo are either trademarks or registered trademarks of HDMI Licensing LLC in the United States and/or other countries. USB-C is either a trademark or registered trademark of USB Implementers Forum, Inc. in the United States and/or other countries. Other trademarks, registered trademarks, and trade names may be used in this document to refer to either the entities claiming the marks and names or their products. Crestron disclaims any proprietary interest in the marks and names of others. Crestron is not responsible for errors in typography or photography.

HDMI

©2021 Crestron Electronics, Inc.

Doc. 8786B

02/18/21