

DIN Rail Enclosures, 18 M Wide Rails



DIN-EN-2X18 shown

- DIN rail enclosure for Crestron® DIN devices
- Available with 2, 3, or 6 DIN rails, 18 M wide
- Removable front cover for easy device access
- UL® Listed

The Crestron® DIN-EN series of UL® Listed enclosures provide centralized mounting solutions for DIN rail products such as the [DIN-AP3](#), [DIN-DALI-2](#), and [DIN-1DIMU4](#). Third-party DIN devices can also be installed. Included with these enclosures is a removable front cover for easy access to installed devices.

DIN Rail Mounting

Crestron DIN-EN enclosures utilize 18 M wide DIN rails with 1 M (18 mm) of extra space between the end of the DIN rail and the enclosure wall to provide room for DIN device locking blocks or for wiring along the sides of the enclosure. Each enclosure is available in three sizes to accommodate two, three, or six DIN rails.

Specifications

DIN Rail Detail

| | |
|--------------------|--------------------------|
| DIN-EN-2X18 | (2) 342 mm x 35 mm rails |
| DIN-EN-3X18 | (3) 342 mm x 35 mm rails |
| DIN-EN-6X18 | (6) 342 mm x 35 mm rails |

Environmental

| | |
|--------------------|-------------------------------|
| Temperature | 32° to 104° F (0° to 40° C) |
| Humidity | 10% to 90% RH (noncondensing) |

Construction

| | |
|------------------|-------------------------------------------------------|
| Enclosure | 16-gauge galvanized steel |
| Cover | 16-gauge galvanized steel; Gray powder coat finish |
| Mounting | Surface wall mount |

Dimensions

| | |
|--------------------|---------------------------------------------------------------------------------------|
| DIN-EN-2X18 | Height: 12.32 in. (323 mm); Width: 14.13 in. (359 mm); Depth: 4.38 in. (111 mm) |
| DIN-EN-3X18 | Height: 23.50 in. (597 mm); Width: 14.38 in. (366 mm); Depth: 4.44 in. (113 mm) |
| DIN-EN-6X18 | Height: 38.88 in. (989 mm); Width: 14.38 in. (366 mm); Depth: 4.44 in. (113 mm) |

Weight

| | |
|--------------------|--------------------|
| DIN-EN-2X18 | 11.4 lb (5.17 kg) |
| DIN-EN-3X18 | 20.3 lb (9.18 kg) |
| DIN-EN-6X18 | 30.5 lb (13.83 kg) |

Compliance

UL Listed

Models

DIN-EN-2X18
Enclosure for DIN Rail Devices, 2 DIN Rails, 18 M Wide

DIN-EN-3X18
Enclosure for DIN Rail Devices, 3 DIN Rails, 18 M Wide

DIN-EN-6X18
Enclosure for DIN Rail Devices, 6 DIN Rails, 18 M Wide

DIN Rail Enclosures, 18 M Wide Rails

This product may be purchased from select authorized Crestron dealers and distributors. To find a dealer or distributor, please contact the Crestron sales representative for your area. A list of sales representatives is available online at www.crestron.com/How-To-Buy/Find-a-Representative or by calling 855-263-8754.

This product is covered under the Crestron standard limited warranty. Refer to www.crestron.com/warranty for full details.

The specific patents that cover Crestron products are listed online at patents.crestron.com.

Certain Crestron products contain open source software. For specific information, please visit www.crestron.com/opensource.

Crestron and the Crestron logo are either trademarks or registered trademarks of Crestron Electronics, Inc. in the United States and/or other countries. UL is either a trademark or registered trademark of Underwriters Laboratories, Inc. in the United States and/or other countries. Other trademarks, registered trademarks, and trade names may be used in this document to refer to either the entities claiming the marks and names or their products. Crestron disclaims any proprietary interest in the marks and names of others. Crestron is not responsible for errors in typography or photography.

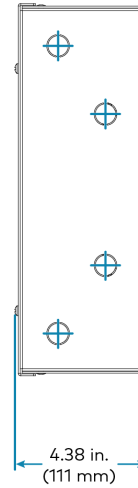
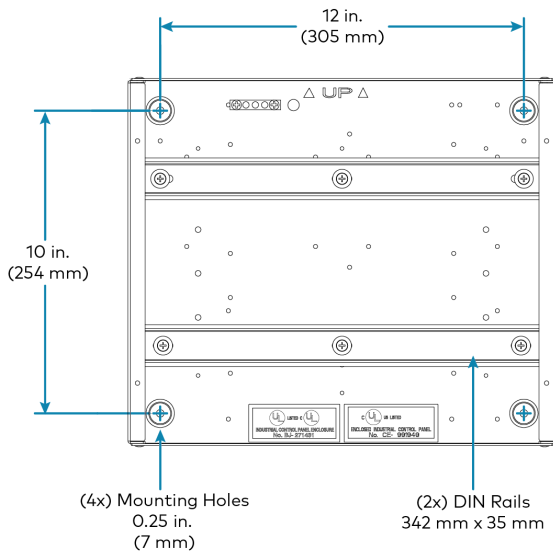
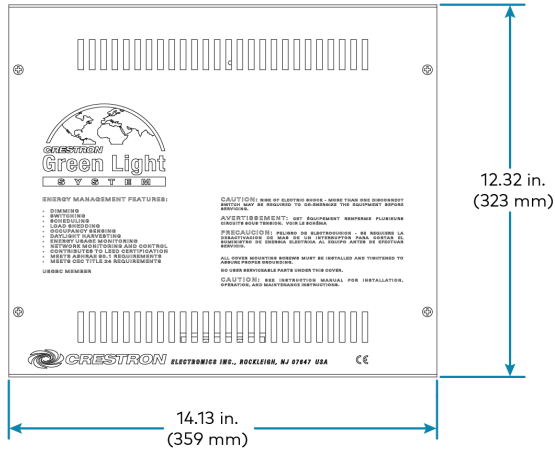
Specifications are subject to change without notice.

©2020 Crestron Electronics, Inc.

Rev 09/02/20

DIN Rail Enclosures, 18 M Wide Rails

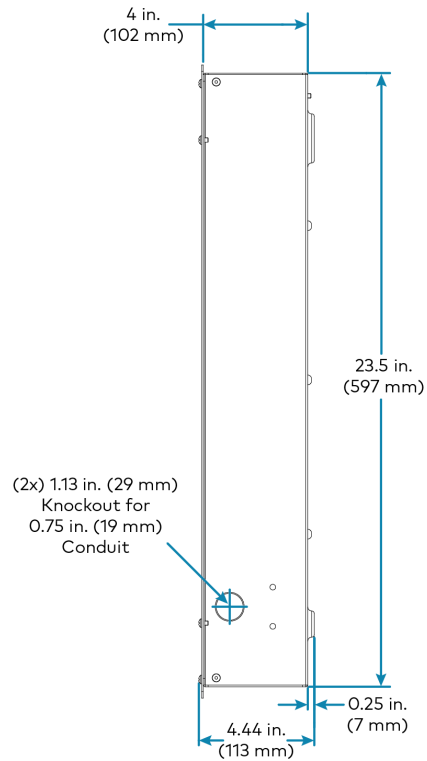
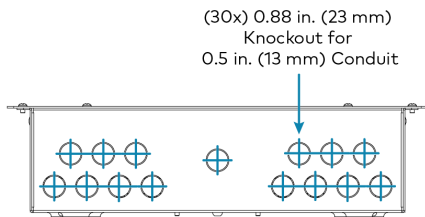
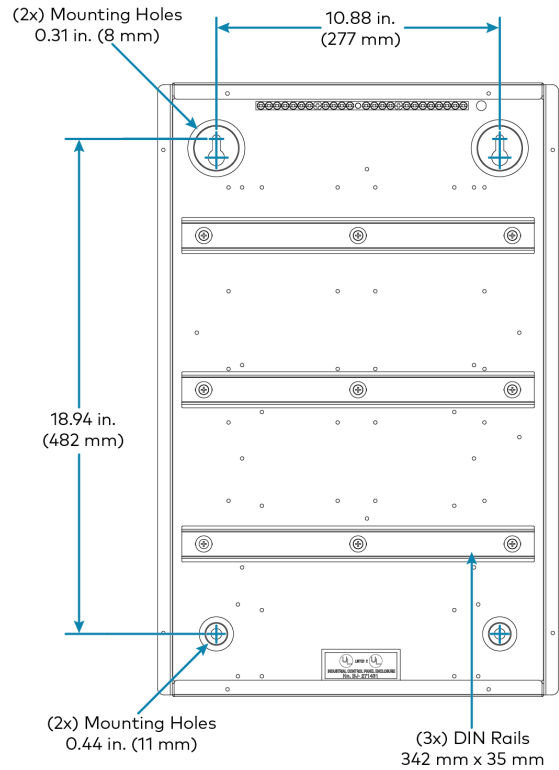
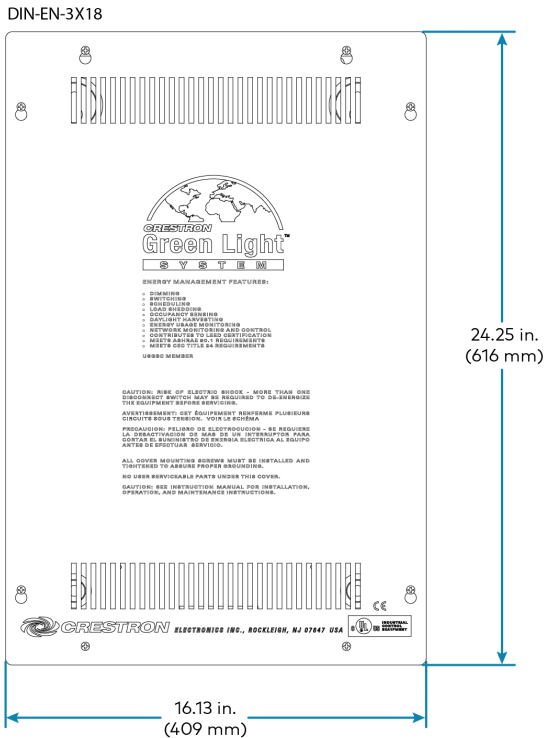
DIN-EN-2X18



(16x) 0.88 in. (23 mm)
Knockout for
0.5 in. (13 mm) Conduit



DIN Rail Enclosures, 18 M Wide Rails



DIN Rail Enclosures, 18 M Wide Rails

DIN-EN-6X18

