

# AUD-EXT Series

## Audio Over CAT5 Extenders

### 1 Introduction

The Crestron® AUD-EXT Series provides a solution for extending analog or digital (S/PDIF) audio signals (depending on model) up to 2000 ft (610 m) over CAT5 cable. It is ideal for any application that requires connecting a remotely located source to a receiver or audio distribution system.

There are three different AUD-EXT models, each providing different connectivity options. Refer to the following table for details.

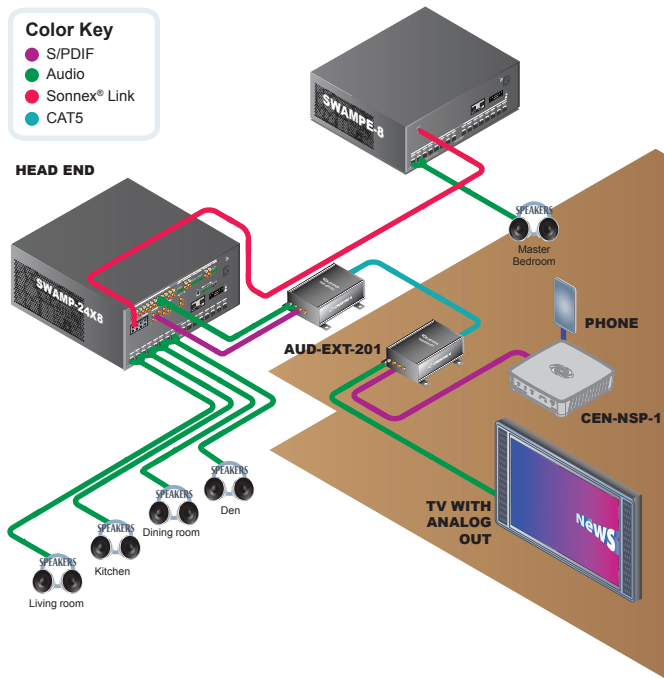
MODEL	DESCRIPTION
AUD-EXT-100	(1) Unbalanced stereo signal; 2000 ft (610 m) max
AUD-EXT-200	(2) Unbalanced stereo signals; 2000 ft (610 m) max
AUD-EXT-201	(1) Unbalanced stereo signal and (2) S/PDIF signals; 600 ft (183 m) max*

\* If using only the unbalanced connection, the maximum length is 2000 ft (610 m).

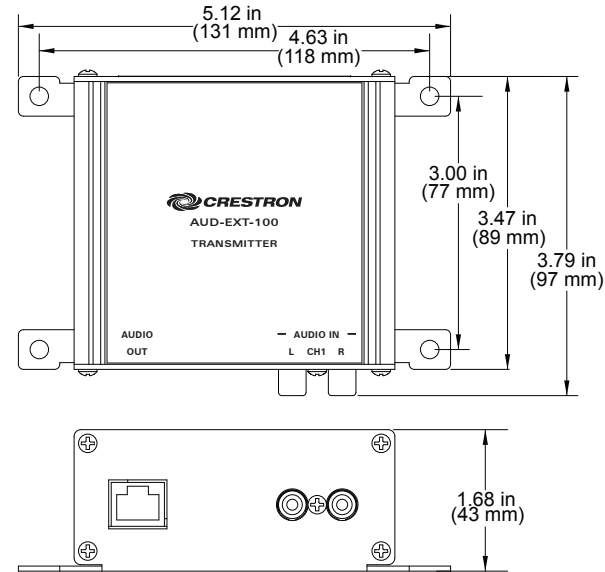
Each audio extender is comprised of one transmitter and one receiver. Each component can be mounted discretely in the back of an equipment rack or on any suitable flat surface. Linking the two components requires just one run of high quality CAT5 cable (sold separately). Crestron offers a full line of rugged cables and installation tools for a complete solution.

### 2 Application Drawing

- Color Key**
- S/PDIF
  - Audio
  - Sonnex® Link
  - CAT5



### 3 Dimensions



**NOTE:** Transmitters and receivers share similar dimensions.

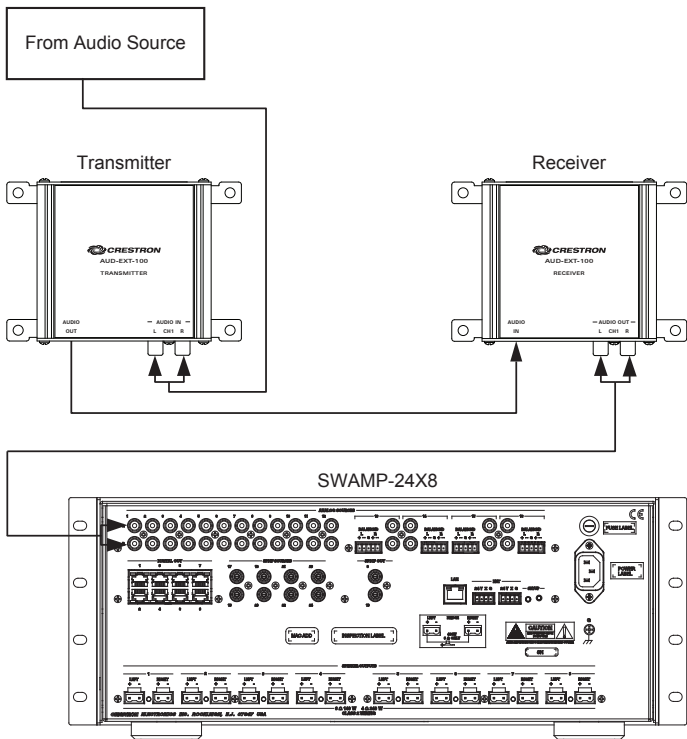
### 4 Connectors

CONNECTOR	DESCRIPTION
AUDIO IN (Transmitter)	Consists of one or more analog or S/PDIF inputs. Connects to audio source(s). For details, refer to table in section 1.
Analog	(2) RCA female comprising (1) unbalanced stereo input; Input impedance: 10 kΩ; Maximum input level: 2 Vrms
S/PDIF	(1) RCA female S/PDIF coaxial digital audio input; Input impedance: 75 Ω
AUDIO OUT (Transmitter)	(1) 8-wire RJ-45 female connector; Connects to <b>AUDIO IN</b> on receiver.
AUDIO IN (Receiver)	(1) 8-wire RJ-45 female connector; Connects to <b>AUDIO OUT</b> on transmitter.
AUDIO OUT (Receiver)	Consists of one or more analog or S/PDIF outputs. Connects to receiver inputs(s). For details, refer to table in section 1.
Analog	(2) RCA female comprising (1) unbalanced stereo output; Output impedance: typical 100 Ω; Maximum output level: 2 Vrms
S/PDIF	(1) RCA female S/PDIF coaxial digital audio output; Output impedance: 75 Ω

# AUD-EXT Series

## Audio Over CAT5 Extenders

### 5 Hardware Hookup



When connecting the devices, please observe the following:

- When connecting the transmitter to the receiver, Crestron recommends using Crestron CRESCAT-IM (sold separately) or high-quality CAT5 twisted-pair cable.
- Do not connect to a DigitalMedia™ network or device, or to any other network or device.

**NOTE:** All cables and connectors are sold separately.

### 6 Specifications

SPECIFICATION	DETAILS
<b>AUDIO</b>	
Bandwidth	20–20,000 Hz
Signal-to-Noise Ratio	> 100 dB
Total Harmonic Distortion + Noise	< 0.1%, 20 Hz, 2 Vrms
Crosstalk	< -70 dB
<b>Power Requirements</b>	None
<b>Environmental</b>	
Temperature	41° to 122° F (5° to 50° C)
Humidity	10% to 90% RH (non-condensing)
<b>Available Models</b>	
AUD-EXT-100	(1) Unbalanced stereo signal; 2000 ft (610 m) max
AUD-EXT-200	(2) Unbalanced stereo signals; 2000 ft (610 m) max
AUD-EXT-201	(1) Unbalanced stereo signal and (2) S/PDIF signals; 600 ft (183 m) max*

\* If using only the unbalanced connection, the maximum length is 2000 ft (610 m).

### 7 Troubleshooting

#### Further Inquiries

To locate specific information or resolve questions after reviewing this guide, contact Crestron's True Blue Support at 1-888-CRESTRON [1-888-273-7876] or, for assistance within a particular geographic region, refer to the listing of Crestron worldwide offices at [www.crestron.com/offices](http://www.crestron.com/offices).

To post a question about Crestron products, log onto Crestron's Online Help at [www.crestron.com/onlinehelp](http://www.crestron.com/onlinehelp). First-time users must establish a user account to fully benefit from all available features.

#### Future Updates

As Crestron improves functions, adds new features, and extends the capabilities of the AUD-EXT Series, additional information may be made available as manual updates. These updates are solely electronic and serve as intermediary supplements prior to the release of a complete technical documentation revision.

Check the Crestron website periodically for manual update availability and its relevance. Updates are identified as an "Addendum" in the Download column.

The specific patents that cover Crestron products are listed at [patents.crestron.com](http://patents.crestron.com).

Crestron, the Crestron logo, DigitalMedia, and Sonnex are trademarks or registered trademarks of Crestron Electronics, Inc. in the United States and/or other countries. Other trademarks, registered trademarks, and trade names may be used in this document to refer to either the entities claiming the marks and names or their products. Crestron disclaims any proprietary interest in the marks and names of others. *Crestron is not responsible for errors in typography or photography.*

This document was written by the Technical Publications department at Crestron.  
© 2014 Crestron Electronics, Inc.