

Crestron **UFO-WPR-3ER-DSCE**  
Indoor/Outdoor Docking Station  
for UFO-WPR-3ER

---

Operations & Installation Guide



This document was prepared and written by the Technical Documentation department at:



# Contents

**Indoor/Outdoor Docking Station for UFO-WPR-3ER: UFO-WPR-3ER-DSCE 1**

- Introduction ..... 1
  - Features and Functions ..... 1
  - Specifications ..... 2
  - Physical Description ..... 3
- Setup ..... 6
  - Supplied Hardware ..... 6
  - Installation ..... 6
- Resources ..... 8
  - Further Inquiries ..... 8
  - Future Updates ..... 8
- Return and Warranty Policies ..... 9
  - Merchandise Returns / Repair Service ..... 9
  - Crestron Limited Warranty ..... 9

## Regulatory Compliance

As of the date of manufacture, the UFO-WPR-3ER-DSCE has been tested and found to comply with specifications for CE marking and standards per EMC and Radiocommunications Compliance Labelling.



The specific patents that cover Crestron products are listed at [patents.crestron.com](http://patents.crestron.com).

Crestron, the Crestron logo and Cresnet are either trademarks or registered trademarks of Crestron Electronics, Inc. in the United States and/or other countries. Other trademarks and trade names may be used in this document to refer to either the entities claiming the marks and names or their products. Crestron disclaims any proprietary interest in the marks and names of others.  
©2012 Crestron Electronics, Inc.

# Indoor/Outdoor Docking Station for UFO-WPR-3ER: UFO-WPR-3ER-DSCE

---

## Introduction

The Crestron® UFO-WPR-3ER-DSCE provides a completely weatherproof docking station and battery charger solution for the UFO-WPR-3ER Waterproof Wireless LCD Remote. It also provides an ideal wall mount dock for both outdoor and indoor applications and is compatible with US and European 1-gang electrical boxes. High powered magnets hold the remote securely at any angle while docked, even at wind speeds up to 55 mph (48 kn), keeping the UFO Waterproof Remote safely in place through windstorms and rough seas.

The UFO-WPR-3ER-DSCE can be powered by connecting it to a Cresnet® control network or using an external power pack (sold separately).

## Features and Functions

- Indoor/outdoor surface mountable docking station
- Provides a simple battery charging solution
- Holds remote securely at any angle and wind speeds up to 55 mph (48 kn)

### Specifications

Specifications for the UFO-WPR-3ER-DSCE are listed in the following table.

*UFO-WPR-3ER-DSCE Specifications*

SPECIFICATION	DETAILS
Power Requirements DC Power Power Pack  Cresnet Power Usage	6 Watts @ 12-24 Volts DC 0.75 Amps @ 24 Volts DC; 100-240 Volts AC, 50/60 Hz power pack (sold separately)  6 Watts @ 24 Volts DC
Environmental Temperature Humidity	32° to 131° F (0° to 55° C) 10% to 100% RH (non-condensing)
Enclosure Construction  Mounting	Plastic and metal; waterproof; chlorinated and salt water tolerant  Mounts on any flat horizontal or vertical surface; 1-gang electrical box or 1-gang European (DIN 49073) electrical box
Dimensions Height Width Depth	0.92 in (24 mm)* 5.15 in (131 mm) 5.15 in (131 mm)
Weight	12 oz (318 g)

\* Combined height of the UFO-WPR-3ER-DSCE docking station with UFO-WPR-3ER remote docked is 2.13 in (54 mm).

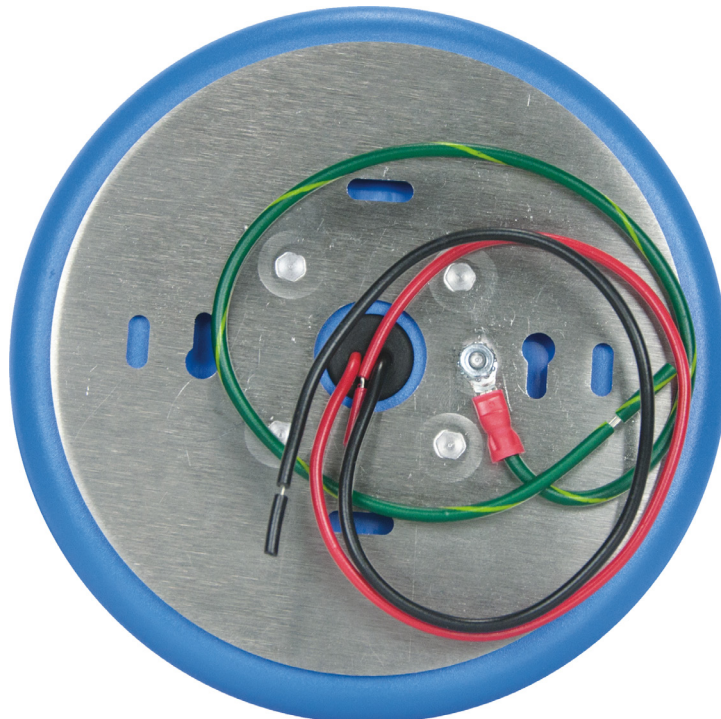
## Physical Description

This section provides information on the connections, controls and indicators available on your UFO-WPR-3ER-DSCE.

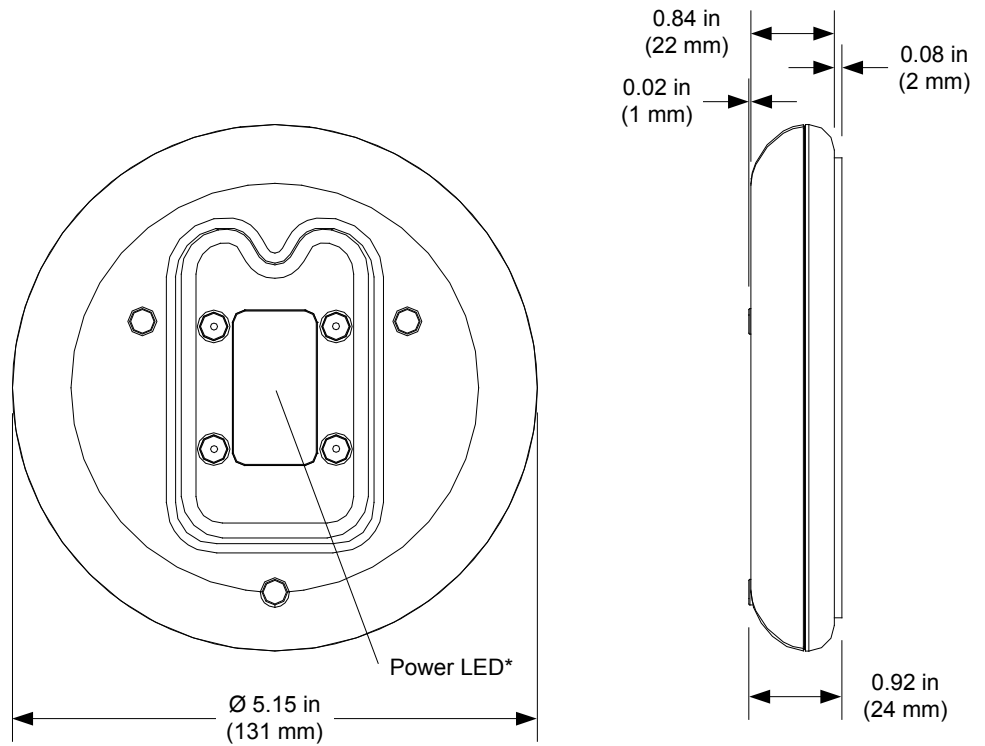
*UFO-WPR-3ER-DSCE Physical View (Top)*



*UFO-WPR-3ER-DSCE Physical View (Bottom)*

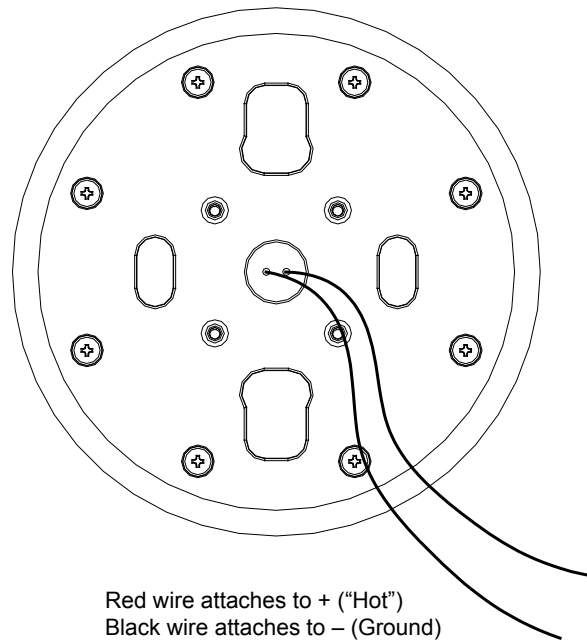


*UFO-WPR-3ER-DSCE Docking Station/Charger Dimensions (Top and Side Views)*

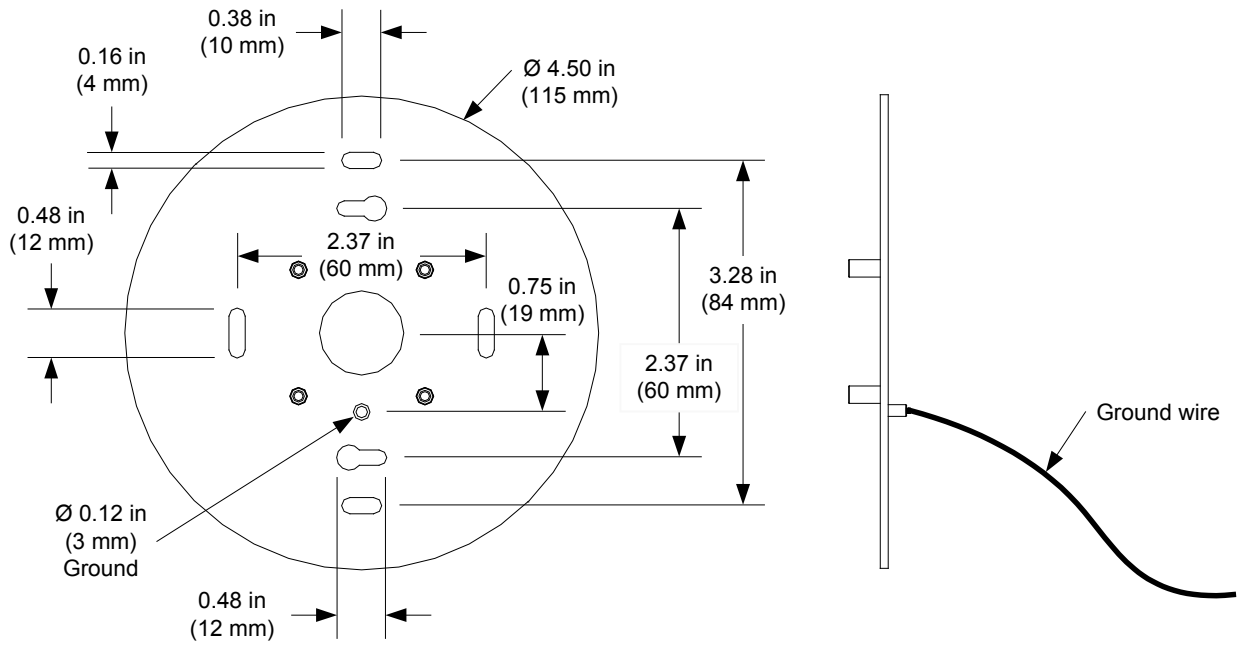


\* (1) Green LED, indicates power supplied via local power pack or Cresnet.

*UFO-WPR-3ER-DSCE Docking Station/Charger Dimensions (Bottom View)*



*UFO-WPR-3ER-DSCE Mounting Plate (Top and Side Views)*



All Slots and Keyways For Use in American or European Single-Gang Electrical Boxes

---

## Setup

### Supplied Hardware

The hardware supplied with the UFO-WPR-3ER-DSCE is listed in the following table.

#### *Supplied Hardware for the UFO-WPR-3ER-DSCE*

DESCRIPTION	PART NUMBER	QUANTITY
Assy, Plate, Metal with Ground Wire	4514652	1
Rubber, O-Ring, 3/32" I.D x 7/32 O.D.	2028367	5*
Screw, #04-40 x 1/4", Stainless, Allen	2028601	5*
Wire Nut, 0.25" x 0.562", Plastic	2005432	3
Allen Wrench	2019502	1

\* While five o-rings (2028367) and screws (2028601) are included, only four are required for installation. The fifth o-ring and screw are provided as spares.

### Installation

The UFO-WPR-3ER-DSCE is designed to mount in a standard American or European single-gang electrical box.

---

**NOTE:** The UFO-WPR-3ER-DSCE is a DC only device. Installation may require the use of an AC to DC converter (not included).

**NOTE:** The UFO-WPR-3ER-DSCE requires 6 Watts (either 0.5 Amps @ 12 Volts DC or 0.25 Amps @ 24 Volts DC). It can also be powered via a Cresnet connection (using the **24** and **G** Cresnet terminals).

---

In addition to the included parts, silicone sealant (not included) is required for installation of the UFO-WPR-3ER-DSCE.

---

**NOTE:** Electrical box mounting screws are not included.

---

After DC wiring has been installed and verified, use the following procedure to install the UFO-WPR-3ER-DSCE in a standard American or European single-gang electrical box:

1. Turn system power **OFF**.
2. Ensure four of the five included rubber o-rings (2028367) are mounted on four of the five included #04-40 x 1/4" mounting screws (2028601). (Refer to the illustration on the following page.)

---

**NOTE:** While five o-rings (2028367) and screws (2028601) are included, only four are required for installation. The fifth o-ring and screw are provided as spares.

---

3. Attach the UFO-WPR-3ER-DSCE mounting plate's (4514652) ground wire to ground.



---

**NOTE:** Ensure the unit is properly grounded.

---

4. Feed the red and black wires from the UFO-WPR-3ER-DSCE through the center hole of the mounting plate and using the included wire nuts (2005432), attach them to the wiring in the electrical box. (Refer to the illustration at the bottom of page 4.)

---

**CAUTION:** To prevent possible damage to the UFO-WPR-3ER-DSCE, it is important to make the DC connections in the correct polarity; red wire to + (“hot”) and black wire to – (ground).

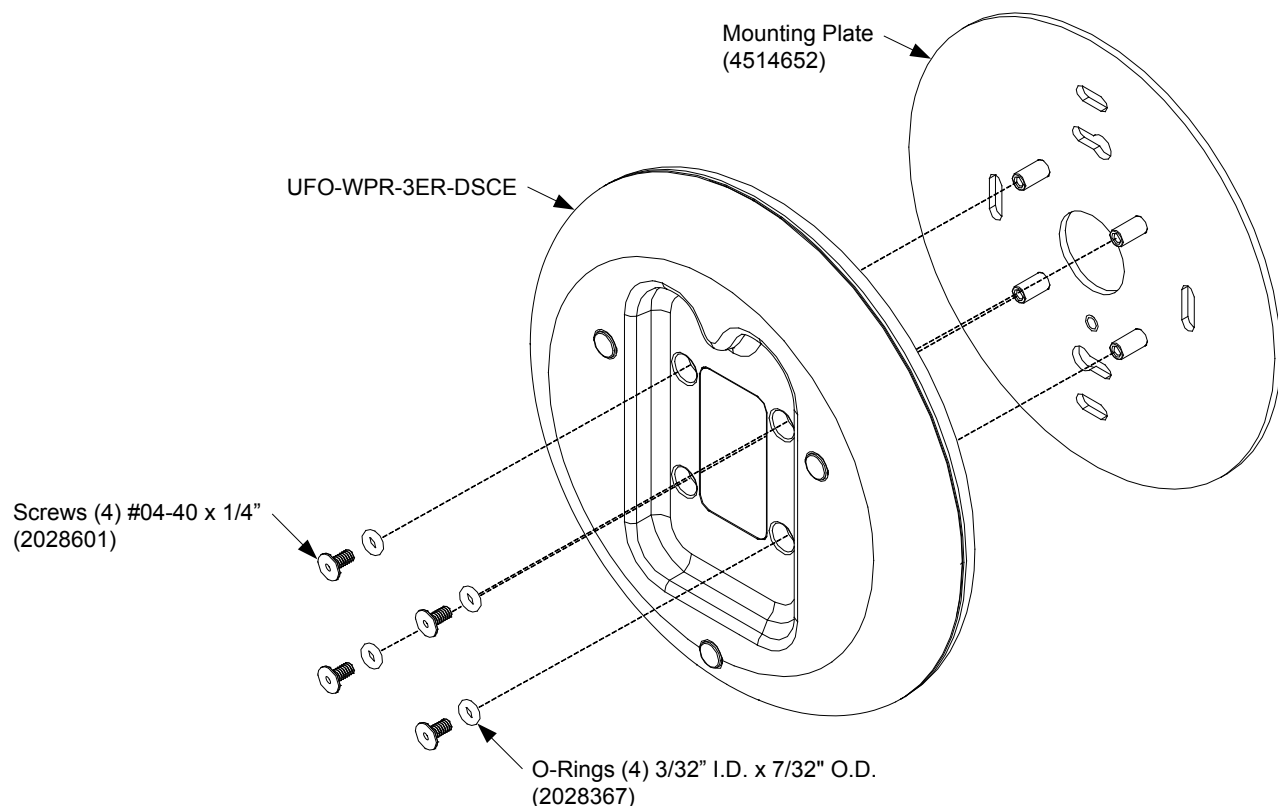
---

**CAUTION:** To prevent possible damage to the external power pack, avoid accidental shorting of the electrical contacts. Only the UFO-WPR-3ER should be placed on the docking station.

---

5. Apply a bead of silicone sealant all around the perimeter of the electrical box, where it makes contact with the mounting plate.
6. Apply a bead of silicon sealant all around the perimeter on the back of the UFO-WPR-3ER-DSCE, where it makes contact with the mounting plate. Then use the included Allen wrench (2019502) and four of the five included #04-40 x 1/4” Allen screws (2028601) to attach the UFO-WPR-3ER-DSCE to the mounting plate.
7. Restore system power.

#### *UFO-WPR-3ER-DSCE Mounting*



---

## Resources

### Further Inquiries

If you cannot locate specific information or have questions after reviewing this guide, please take advantage of Crestron's award winning customer service team by calling Crestron at 1-888-CRESTRON [1-888-273-7876]. For assistance in your region, please refer to the Crestron Web site ([www.crestron.com/offices](http://www.crestron.com/offices)) for a listing of Crestron worldwide offices.

You can also log onto the online help section of the Crestron Web site ([www.crestron.com/onlinehelp](http://www.crestron.com/onlinehelp)) to ask questions about Crestron products. First-time users must establish a user account to fully benefit from all available features.

### Future Updates

As Crestron improves functions, adds new features and extends the capabilities of the UFO-WPR-3ER-DSCE, additional information may be made available as manual updates. These updates are solely electronic and serve as intermediary supplements prior to the release of a complete technical documentation revision.

Check the Crestron Web site periodically for manual update availability and its relevance. Updates are identified as an “Addendum” in the Download column.

---

## Return and Warranty Policies

### Merchandise Returns / Repair Service

1. No merchandise may be returned for credit, exchange or service without prior authorization from Crestron. To obtain warranty service for Crestron products, contact an authorized Crestron dealer. Only authorized Crestron dealers may contact the factory and request an RMA (Return Merchandise Authorization) number. Enclose a note specifying the nature of the problem, name and phone number of contact person, RMA number and return address.
2. Products may be returned for credit, exchange or service with a Crestron Return Merchandise Authorization (RMA) number. Authorized returns must be shipped freight prepaid to Crestron, 6 Volvo Drive, Rockleigh, N.J. or its authorized subsidiaries, with RMA number clearly marked on the outside of all cartons. Shipments arriving freight collect or without an RMA number shall be subject to refusal. Crestron reserves the right in its sole and absolute discretion to charge a 15% restocking fee plus shipping costs on any products returned with an RMA.
3. Return freight charges following repair of items under warranty shall be paid by Crestron, shipping by standard ground carrier. In the event repairs are found to be non-warranty, return freight costs shall be paid by the purchaser.

### Crestron Limited Warranty

Crestron Electronics, Inc. warrants its products to be free from manufacturing defects in materials and workmanship under normal use for a period of three (3) years from the date of purchase from Crestron, with the following exceptions: disk drives and any other moving or rotating mechanical parts, pan/tilt heads and power supplies are covered for a period of one (1) year; touch screen display and overlay components are covered for 90 days; batteries and incandescent lamps are not covered.

This warranty extends to products purchased directly from Crestron or an authorized Crestron dealer. Purchasers should inquire of the dealer regarding the nature and extent of the dealer's warranty, if any.

Crestron shall not be liable to honor the terms of this warranty if the product has been used in any application other than that for which it was intended or if it has been subjected to misuse, accidental damage, modification or improper installation procedures. Furthermore, this warranty does not cover any product that has had the serial number altered, defaced or removed.

This warranty shall be the sole and exclusive remedy to the original purchaser. In no event shall Crestron be liable for incidental or consequential damages of any kind (property or economic damages inclusive) arising from the sale or use of this equipment. Crestron is not liable for any claim made by a third party or made by the purchaser for a third party.

Crestron shall, at its option, repair or replace any product found defective, without charge for parts or labor. Repaired or replaced equipment and parts supplied under this warranty shall be covered only by the unexpired portion of the warranty.

Except as expressly set forth in this warranty, Crestron makes no other warranties, expressed or implied, nor authorizes any other party to offer any warranty, including any implied warranties of merchantability or fitness for a particular purpose. Any implied warranties that may be imposed by law are limited to the terms of this limited warranty. This warranty statement supersedes all previous warranties.



**Crestron Electronics, Inc.**  
15 Volvo Drive Rockleigh, NJ 07647  
Tel: 888.CRESTRON  
Fax: 201.767.7576  
[www.crestron.com](http://www.crestron.com)

---

**Operations & Installation Guide – DOC. 7122B  
(2029309)**

**03.12**

Specifications subject to  
change without notice.