

Crestron RL™ Group Collaboration System for Lync®

- > A full-featured, simple to use group collaboration system based on Microsoft® Lync®
- > Provides a turnkey solution for conference rooms, huddle rooms, and executive offices
- > Enables interactive collaboration from anywhere using any device
- > Easy to order and specify, requires no programming or training
- > Low cost of ownership — no MCUs or gateways needed
- > Complete system packages offer a choice of one or two 65" HD touch screen displays
- > No-display package allows use of select Crestron-approved third-party touch screen displays
- > Tabletop touch screen affords easy, intuitive operation
- > Allows expanded control of room AV, lighting, shades, and HVAC [1]
- > Integrates with Crestron Fusion® to support enterprise-wide room scheduling and management [2]
- > Wall mount kit(s) provide secure mounting for each 65" HD touch screen display with hidden storage for the codec and other accessories
- > Available add-on accessories include a mobile cart [3], a high-performance table microphone[4], and select Crestron-approved third-party accessories



Crestron RL™ is a comprehensive group collaboration solution that combines Crestron® hardware with Microsoft® Lync® software. The Crestron RL solution is based on Microsoft Lync 2013, a popular and powerful server-based application that many companies already use on a daily basis. This full-featured, unified communication system enables video, voice, interactive content sharing, presence, and chat from one touch screen interface.

Simple to Use

With just one touch of a button, anyone can walk into a conference room and instantly start a collaboration session. Share your desktop with local and remote participants, view and annotate over PowerPoint®, and use the interactive whiteboard to sketch out ideas. Remote participants can join via Lync on their desktop, and adding attendees on the fly in the conference room is just as simple and fast as typing in their name. Crestron RL lets you share ideas and notes collaboratively with remote colleagues and clients — anytime, anywhere, with any device.

Easy to Purchase

Crestron RL is a complete packaged solution including the codec, 65" touch screen display(s), 10" tabletop touch screen, HD camera and microphone, sound bar, wall mount kit(s), and all necessary cables and accessories for a complete, functional system. No additional infrastructure expenses such as MCUs or gateways are needed. No system design or configuration is necessary, and no programming or training is required.

Scalable Solution

Because Crestron RL integrates with the complete line of Crestron automation solutions, clients can add local control of the conference room AV, lighting, shades, and HVAC equipment — all from the tabletop touch screen.[1] They can also monitor, manage, control, and schedule conference rooms across the enterprise using the Crestron Fusion® enterprise management suite.[2]

Complete System Packages

Three Crestron RL packages are offered. The dual display package (CCS-UC-100-2 KIT) is perfect for medium to large conference rooms, and includes two high-definition 65" touch screen displays. The single display package (CCS-UC-100-1 KIT) includes a single 65" touch screen display and is ideally suited for small to medium sized conference rooms, executive offices, and huddle rooms. A “no display” package (CCS-UC-100-0 KIT) is also offered, allowing select third-party touch screen displays to be substituted for the standard 65" models (see “Third-Party Accessories” below).

Included Components

- **65" HD Touch Screen Display(s)** — Provides one or two high-definition 1080p touch screens for viewing of both local and remote participants and presentations, with easy, interactive whiteboarding and annotation over PowerPoint. A “no-display” package is also offered to allow the substitution of select third-party touch screen displays for applications requiring a larger or smaller display size (see “Third-Party Accessories” below).
- **Wall Mount Kit(s)** — Provides secure mounting of the 65" touch screen display(s) with lateral shift and tilt adjustments for optimal positioning. An integrated rear compartment contains the codec and other system components.
- **10" Tabletop Touch Screen** — Provides a convenient user interface at the table for managing group collaboration sessions. So simple, anyone can instantly start a session with just one touch of a button. The touch screen can also be custom programmed to control room lighting, shades, climate, and AV equipment.[1]

CCS-UC-100 Crestron RL™ Group Collaboration System for Lync®

- **HD Collaboration System Codec** — Provides communication and connectivity for the complete group collaboration system. Installs conveniently out of sight behind the 65" HD touch screen display.
- **HD Camera and Microphone** — This USB camera with built-in microphone mounts to the top of the 65" HD touch screen display to capture high-definition video and sound of all the participants in the room.
- **Sound Bar** — Mounts to the bottom of the 65" HD touch screen display to provide clear audio for the local participants.
- **Cables and Accessories** — Each package includes all necessary cables and accessories for a complete system. All that's required in the room is a network connection and one power outlet. Includes 30 ft (9.1 m) video cables to enable the connection of an HDMI® or VGA source.

Optional Accessories

- **Mobile Cart** — Allows the Crestron RL system to be moved from room to room. Fits through standard doorways and utilized heavy duty casters and a rugged, height-adjustable design. Also includes a durable utility shelf for placement of laptops, tablets, and other presentation devices.^[3]
- **Table Microphone** — Provides enhanced voice pickup for larger conference tables and rooms with less-than-optimal acoustics.^[4]

Third-Party Accessories

The following third-party manufacturers offer accessories that have been tested and approved by Crestron for use with Crestron RL:

- **Perceptive Pixel by Microsoft®** — 82" and 55" Touch Devices
- **Vaddio** — ClearVIEW HD-USB Camera^[1], AV Bridge
- **MXL®** — Mic Mate® Pro USB Microphone Adapter, Mic Mate USB Mini Mixer
- **Polycom®** — CX5100 Unified Conference Station

SPECIFICATIONS

Included Components

CCS-UC-100-2 KIT Dual Display Package:

- 1) HD Collaboration System Codec
- 1) 10" Tabletop Touch Screen
- 2) 65" HD Touch Screen Displays
- 2) Wall Mount Kits
- 1) Sound Bar
- 1) HD Camera and Microphone
- Lot) Cables and Accessories

CCS-UC-100-1 KIT Single Display Package:

- 1) HD Collaboration System Codec
- 1) 10" Tabletop Touch Screen
- 1) 65" HD Touch Screen Display
- 1) Wall Mount Kit

- 1) Sound Bar
- 1) HD Camera and Microphone
- Lot) Cables and Accessories

CCS-UC-100-0 KIT No Display Package:

- 1) HD Collaboration System Codec
- 1) 10" Tabletop Touch Screen
- 1) Wall Mount Kit
- 1) Sound Bar
- 1) HD Camera and Microphone
- Lot) Cables and Accessories

System Connections

LAN: 10Base-T/100Base-TX/1000Base-T Ethernet; (14 ft / 4.3 m CAT6 cable included)

USB: USB 3.0 host for camera, 65" HD touch screen displays, and optional table mic; USB 2.0 host for mouse/keyboard^[5]; (camera and touch screen display cables included)

Content Video Input: HDMI® or VGA for one content source device; (30 ft / 9.1 m cables included)

Display Video Outputs: HDMI to 65" HD touch screen displays; (cables included)

Tabletop Touch Screen: DM 8G+™ with PoDM; (25 ft / 7.62 m attached cable included)

Sound Bar: Analog line-level stereo audio

Power: 120 Volts AC, 60 Hz

Wall Mount(s)

Mounting Options: Mounts to wall or optional mobile cart

Tilt Adjustment: -12°

Lateral Shift: Built in

Color: Black

Weight Capacity: 160 lb (72 kg)

Touch Screen Display(s)

Display Type: TFT active matrix color LCD

Size: 65 inch (1651 mm) diagonal

Aspect Ratio: 16:9 Full HD

Resolution: 1920 x 1080 pixels

Brightness: 450 nits (cd/m²)

Contrast: 4000:1

Response Time: 6.5 ms G-to-G

Color Depth: 24-bit, 16.7M colors

Color Gamut: 10 bit dithering, 1.07B colors

Illumination: LED Backlit

Viewing Angle: ±85° horizontal, ±80° vertical

Touch Screen: Optical Touch overlay

Controls: (1) Power/Menu 5-way navigation button

Input Type: HDMI (also supports DVI)

Horizontal Scanning Frequency: 30 to 81 kHz

CCS-UC-100 Crestron RL™ Group Collaboration System for Lync®

Maximum Pixel Frequency: 148.5 MHz

Vertical Scanning Frequency: 48 to 75 Hz

USB: Touch output

Display Power Requirement: 100-240 Volts AC, 50/60 Hz

Display Power Consumption: Off mode: <1 Watt;
On mode: 253 Watts maximum;
230 Watts typical;
Sleep mode: <1 Watt

Touch Screen Overlay Power: 5 Volts DC;

100-240 Volt AC, 1.25 Amps, 50/60Hz power pack included

Temperature: 41° to 104°F (5° to 40°C)

Humidity: 10% to 90% RH (non-condensing)

Heat Dissipation: 1290 BTU/Hr

Construction: Plastic and metal case, mounts to wall or mobile cart using wall mount kit provided (or VESA 400x400 mm mountable using third-party mount)

Height: 33.8 in (859 mm)

Width: 58.2 in (1479 mm)

Depth: 2.9 in (73 mm)

Weight: 122 lb (55 kg)

Compliance (Display only, excludes touch screen overlay):

EMC: FCC (USA) FCC Part 15, Subpart B class A, CE (Europe) EN55022, EN55024, VCCI (Japan) V-3 (CISPR22), KCC (Korea): KN22, KN24, BSMI (Taiwan): CNS13438 (CISPR22), C-Tick (Australia): AS/NZS3548 (CISPR22), CCC (China): GB 9254-2008, GB 17625.1-2003;

Environment: ENERGY STAR 6.0 (USA);

Safety: CUL (USA + Canada): UL60950, TUV (Germany): EN60950, CB (Europe): IEC60950/EN60950, EK (Korea): K60950

Tabletop Touch Screen

Dimensions: 4.76 x 10.13 x 5.85 in (121 x 258 x 149 mm) HWD

Cable Length: 25 ft (7.62 m)

Color: Black

Codec

Refer to the CCS-UC-CODEC-100 spec sheet

MODELS & ACCESSORIES

Available Models

CCS-UC-100-0 KIT: Crestron RL™ Group Collaboration System for Lync®, No Display

CCS-UC-100-1 KIT: Crestron RL™ Group Collaboration System for Lync®, Single Display

CCS-UC-100-2 KIT: Crestron RL™ Group Collaboration System for Lync®, Dual Display

Available Accessories

CCS-TS-6500-MCK: Mobile Cart for Crestron RL™

CCS-MIC-USB-100: Table Microphone for Crestron RL™

Notes:

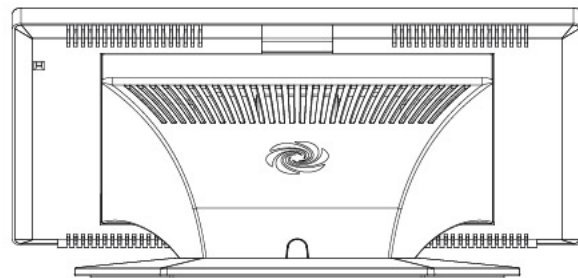
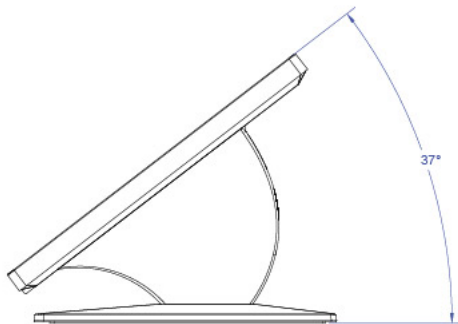
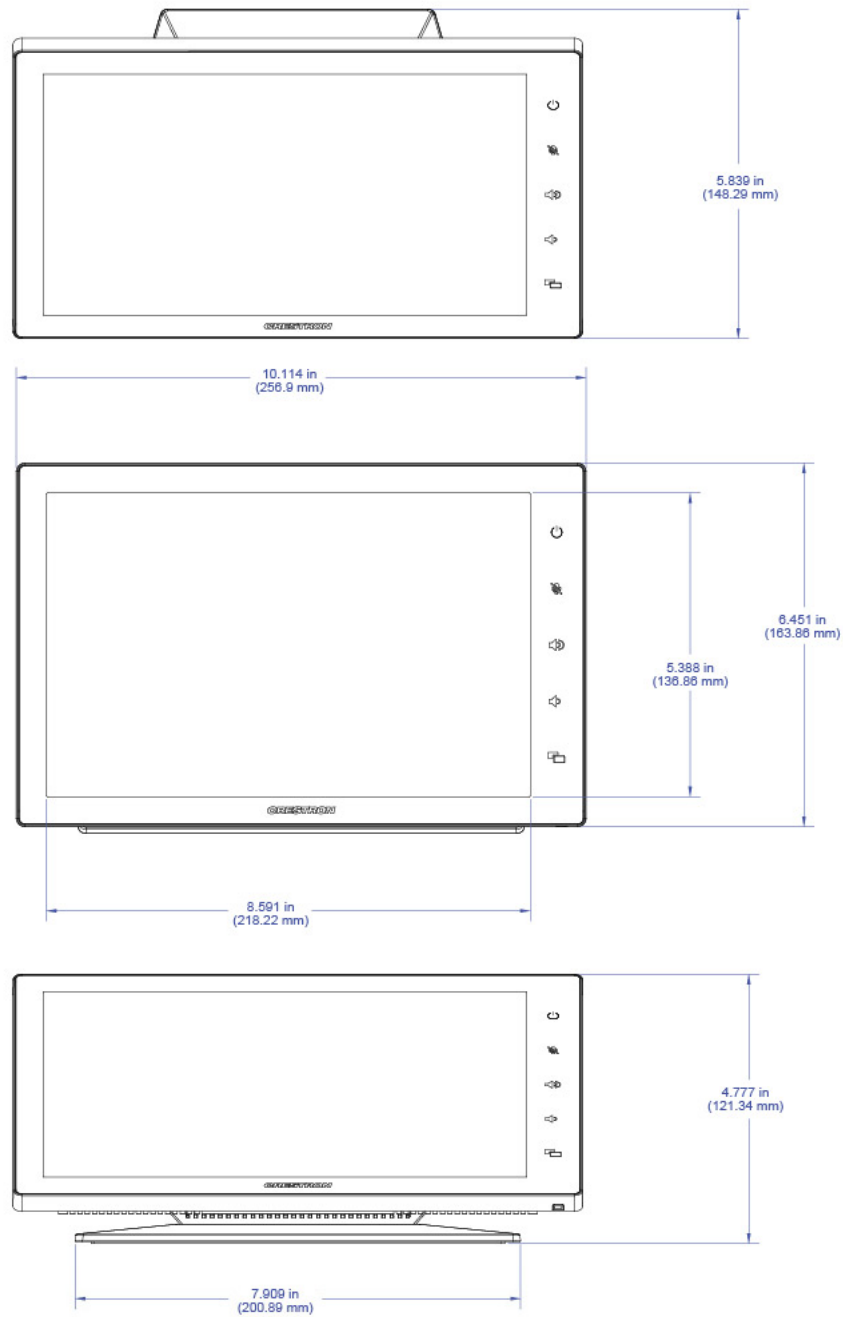
1. Requires custom programming and integration with a Crestron control system. For more information, or to find an authorized Crestron dealer or programmer, contact your Crestron representative.
2. Crestron Fusion software, server, and configuration sold separately.
3. Dual display systems require two mobile carts.
4. Each package supports a single table microphone. Connectivity is provided via USB. Adding the table microphone overrides the camera's built-in microphone.
5. USB mouse and keyboard not included; required for setup only.

This product may be purchased from an authorized Crestron dealer. To find a dealer, please contact the Crestron sales representative for your area. A list of sales representatives is available online at www.crestron.com/salesreps or by calling 800-237-2041.

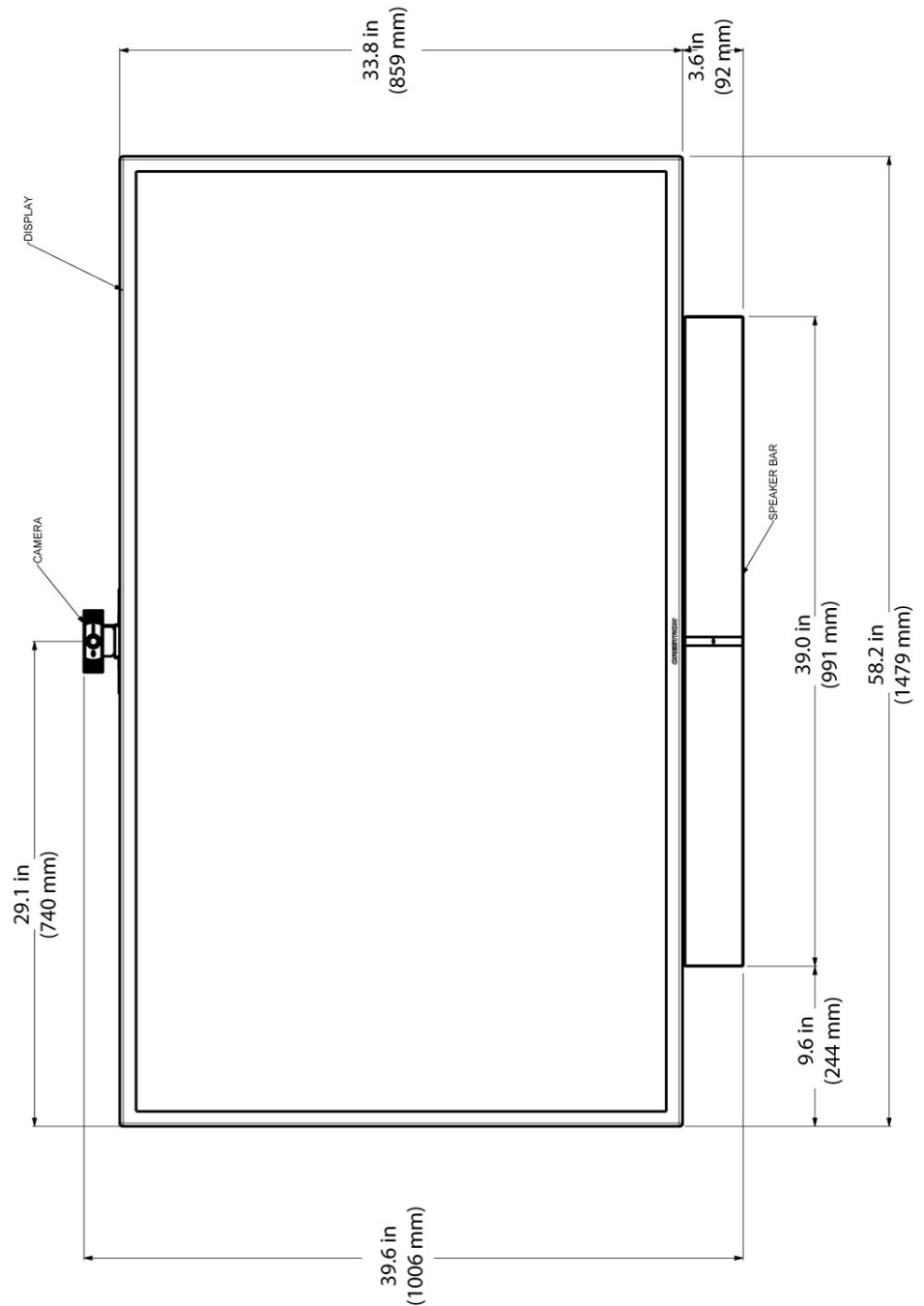
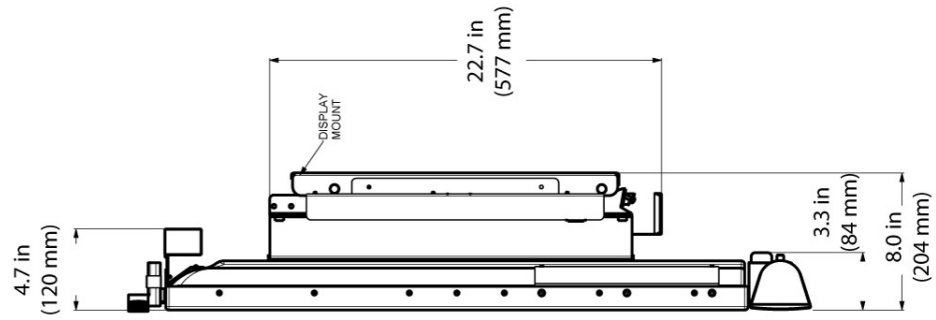
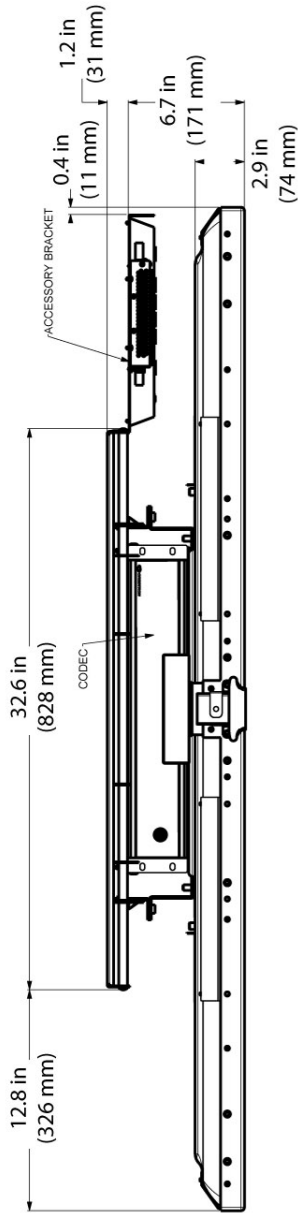
The specific patents that cover Crestron products are listed online at: patents.crestron.com.

Crestron, the Crestron logo, Crestron Fusion, Crestron RL, and DM 8G+ are either trademarks or registered trademarks of Crestron Electronics, Inc. in the United States and/or other countries. MXL and Mic Mate are either trademarks or registered trademarks of Marshall Electronics, Inc. in the United States and/or other countries. Microsoft, Lync, and PowerPoint are either trademarks or registered trademarks of Microsoft Corporation in the United States and/or other countries. HDMI and the HDMI Logo are either trademarks or registered trademarks of HDMI Licensing LLC in the United States and/or other countries. Polycom is either a trademark or registered trademark of Polycom, Inc. in the United States and/or other countries. Other trademarks, registered trademarks, and trade names may be used in this document to refer to either the entities claiming the marks and names or their products. Crestron disclaims any proprietary interest in the marks and names of others. Crestron is not responsible for errors in typography or photography. Specifications are subject to change without notice. ©2014 Crestron Electronics, Inc.

CCS-UC-100 Crestron RL™ Group Collaboration System for Lync®



10" Tabletop Touch Screen



CCS-UC-100-1 KIT – Complete Wall Mount Assembly