

## Multisurface Mount Kit for TSW-770 and TSW-1070 Series, Angled

The [TSW-770/1070-MSMK-ANG](#) multisurface mount kit provides a versatile mounting solution for a [TSW-770](#), [TSS-770](#), [TSW-1070](#), or [TSS-1070](#) touch screen. Using the kit, the touch screen can be mounted directly to glass, granite, marble, wood paneling, plaster, smooth masonry, or virtually any other flat surface. The touch screen can also be mounted into a wall or supported electrical boxes. When installed, the touch screen is angled upwards at a 20° tilt.

### TSW-770/1070-MSMK-ANG-W-S Only

- 1 Bracket, Angled, White (2056770)
- 1 Faceplate, Front, White (2056893)
- 1 Faceplate, Rear, White (2056895)
- 1 Adhesive, Foam, White (2056891)
- 1 Label, Polycarbonate, White (4532842)



### In the Box

- 1 TSW-770/1070-MSMK-ANG, Multisurface Mount Kit

#### Additional Items

- 2 Screw, 6-32 x 3/8 in., Phillips (2013475)
- 4 Screw, 6-32 x 1/2 in., Phillips (2007240)
- 2 Screw, 6-32 x 3/4 in., Phillips (2033247)
- 4 Screw, 6-32 x 1 in., Phillips (2007251)
- 4 Screw, M3 x 25 mm, Phillips (2049589)
- 2 Screw, M3.5 x 25 mm, Phillips (2049591)
- 4 Washer, #6 (2007663)

#### TSW-770/1070-MSMK-ANG-B-S Only

- 1 Bracket, Angled, Black (2056875)
- 1 Faceplate, Front, Black (2056894)
- 1 Faceplate, Rear, Black (2056896)
- 1 Adhesive, Foam, Black (2056892)
- 1 Label, Polycarbonate, Black (4532843)



### Install the MSMK

The TSW-770/1070-MSMK-ANG can be installed over an electrical box, into drywall, or onto a flat, smooth surface. Procedures for each installation are provided in the sections that follow.

### Electrical Box Mounting

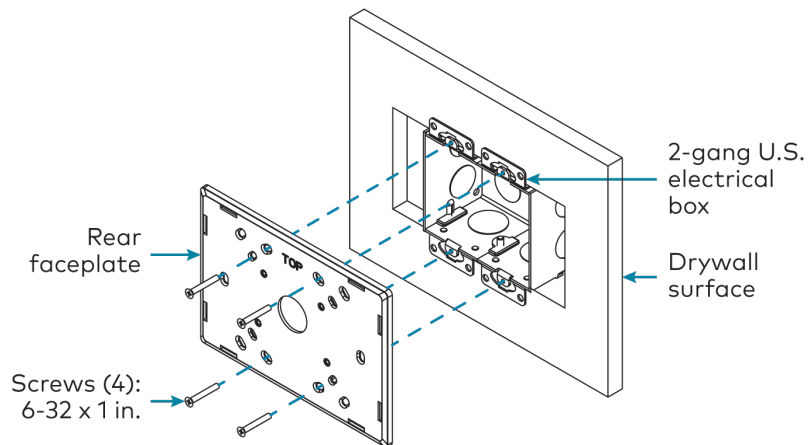
**NOTE:** For U.S.-style installations, use a #2 Phillips screwdriver. For European and U.K.-style installations, use a #1 Phillips screwdriver or equivalent.

1. Route all necessary cables through the rear of the electrical box.
2. Attach the rear faceplate to the wall:

**NOTE:** Ensure that the rear faceplate is oriented so that the "TOP" machined text is facing upward prior to installation. Also ensure that the faceplate is level after installation.

## Multisurface Mount Kit for TSW-770 and TSW-1070 Series, Angled

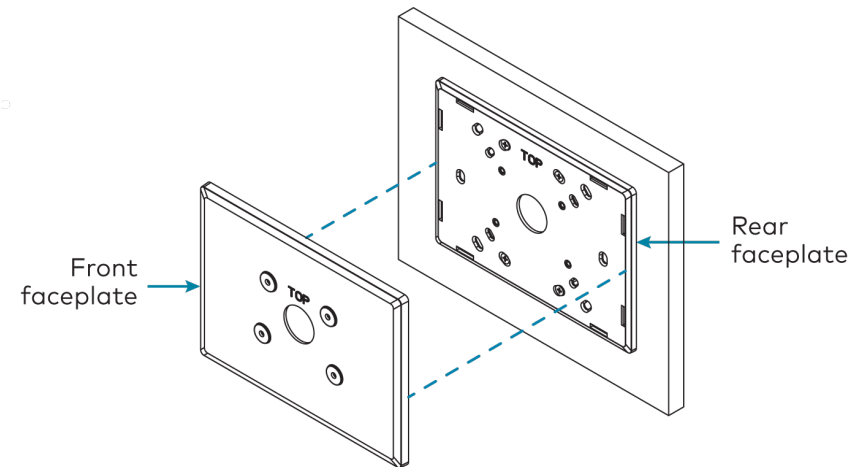
- For U.S.-style installations, use the four provided 6-32 x 1 in. screws to install the rear faceplate over a 1-gang (horizontally mounted), 2-gang, or 3-gang U.S. electrical box (as shown in the following illustration).
- For European-style installations, use the four provided M3 x 25 mm screws to install the rear faceplate over a 2-gang European electrical box.
- For U.K.-style installations, use the two provided M3.5 x 25 mm screws to install the rear faceplate over a 2-gang U.K. electrical box.



**NOTE:** Four washers are provided to secure the faceplate to the electrical box if the mounting holes are too large for the included screws.

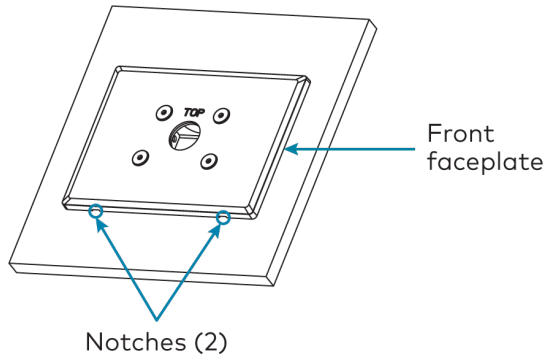
3. Press the front faceplate into the rear faceplate until it snaps into place.

**NOTE:** Ensure that the front faceplate is oriented so that the "TOP" machined text is facing upward prior to installation. Also ensure that the faceplate is level after installation.

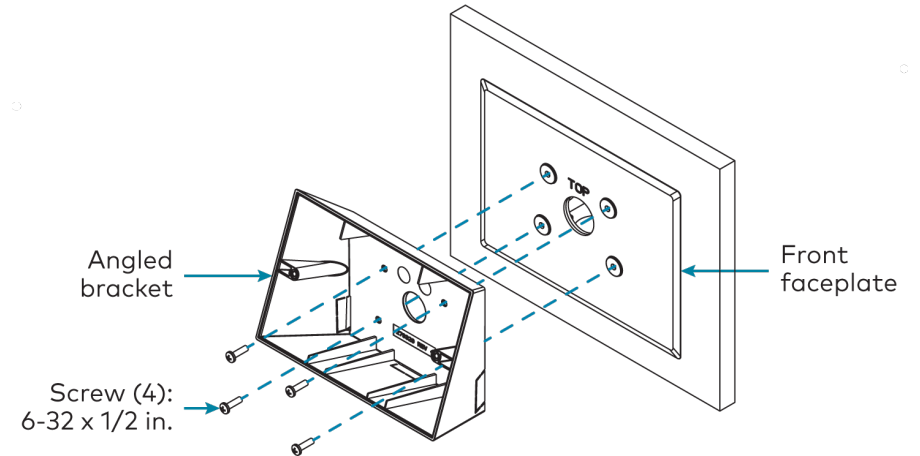


## Multisurface Mount Kit for TSW-770 and TSW-1070 Series, Angled

**NOTE:** If the front faceplate needs to be removed, insert the tip of a flathead screwdriver (or similar tool) into the machined notches on the bottom of the faceplate, and then carefully push against the faceplate to pop it off. Refer to the following image for the location of the notches.



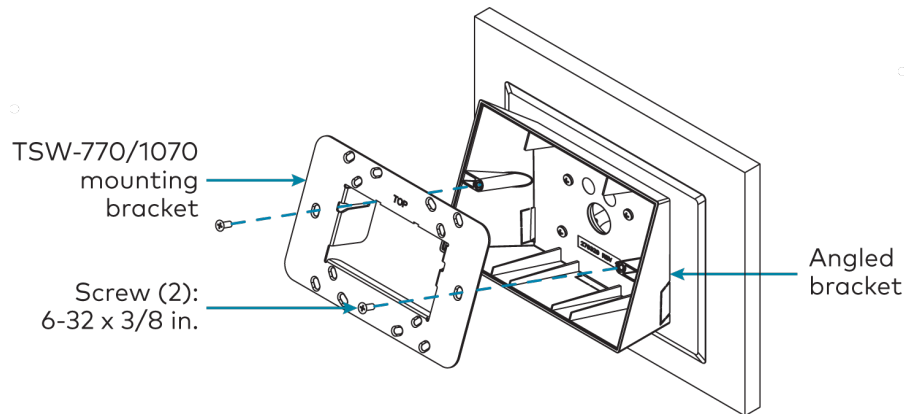
4. Attach the angled bracket to the front faceplate using the four provided 6-32 x 1/2 in. screws.



## Multisurface Mount Kit for TSW-770 and TSW-1070 Series, Angled

- Attach the TSW-770/1070 mounting bracket (provided with the touch screen) to the angled bracket using the two provided 6-32 x 3/8 in. screws. Ensure the bracket is level after installation.

**NOTE:** If installing a TSW-770-LB or TSW-1070-LB light bar as part of the MSMK installation, the light bar must be placed in between the TSW-770/1070 mounting bracket and the MSMK angled bracket during this stage of the installation. The two provided 6-32 x 3/4 in. screws must also be used in place of the 6-32 x 3/8 in. screws. For more information on installing the light bar, refer to the [TSW-770-LB and TSW-1070-LB Quick Start](#).



- Route all cables out of the center openings in the faceplates and brackets and connect them to the rear of the touch screen.
- After all connections have been made, hold the touch screen over the mounting plate and place it gently in position so that it attaches securely to the plate.

For more information on connecting the touch screen, refer to the [TSW-570, TSW-770, and TSW-1070 Product Manual](#) or the [TSS-770 and TSS-1070 Product Manual](#).

## Drywall Mounting

- Create a cutout in the drywall where the touch screen will be installed for routing cables.
- Route all necessary cables through the drywall cutout.
- Attach the angled bracket to the drywall surface using four standard drywall anchors and 6-AB x 1 in. drywall screws (not included).

**NOTE:** Ensure the angled bracket is level after installation.

- Attach the TSW-770/1070 mounting bracket (provided with the touch screen) to the angled bracket using the two provided 6-32 x 3/8 in. screws. Ensure the bracket is level after installation.

**NOTE:** If installing a TSW-770-LB or TSW-1070-LB light bar as part of the MSMK installation, the light bar must be placed in between the TSW-770/1070 mounting bracket and the MSMK angled bracket during this stage of the installation. The two provided 6-32 x 3/4 in. screws must also be used in place of the 6-32 x 3/8 in. screws. For more information on installing the light bar, refer to the [TSW-770-LB and TSW-1070-LB Quick Start](#).

- Route all cables out of the center opening in the angled bracket and connect them to the rear of the touch screen.
- After all connections have been made, hold the touch screen over the mounting plate and place it gently in position so that it attaches securely to the plate.

## Multisurface Mount Kit for TSW-770 and TSW-1070 Series, Angled

### Surface Mounting

Use the following procedures to mount the MSMK onto a flat pane of glass or a similar smooth surface (such as granite, marble, plaster, or smooth stone and masonry). The included adhesive pad attaches permanently to the surface.

**The following is required for this installation: a level, masking tape, a Phillips screwdriver, and isopropyl alcohol (minimum 70%).**

**CAUTION:** Observe the following points to ensure the MSMK properly bonds to the mounting surface. Failure to properly bond the MSMK to the mounting surface could cause the MSMK to detach after installation.

- Use isopropyl alcohol (minimum 70%) to clean the mounting surface. Other surface cleaning products can leave a film that will prevent the adhesive from properly bonding to the mounting surface.
- Use a new, clean nonlinting cloth to apply the isopropyl alcohol. The cloth should not have been used with any other cleaning product to ensure that it does not leave a film on the mounting surface.
- Allow the isopropyl alcohol to air dry on the mounting surface for at least one minute before applying adhesive. Do not dry the surface with a cloth prior to applying adhesive.
- Do not apply adhesive to the mounting surface in temperatures below 65°F (19°C).

### Attach the Adhesive Pad to the Angled Bracket

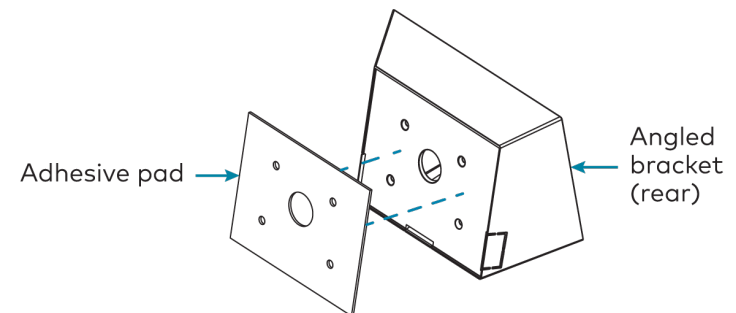
1. Select a mounting location for the MSMK and determine whether raceway (not included) will be entering the MSMK from the top, bottom, left, or right cutout.
2. Use pliers (or a similar tool) to break away the appropriate knockout on the left, right, or bottom of the angled bracket for running cables to the touch screen.

3. Clean and dry the rear of the bracket before attaching the adhesive. Refer to the caution statements at the beginning of the "Surface Mounting" section for important cleaning and drying notes.
4. Remove the protective covering from one side of the adhesive pad.

**CAUTION:** The adhesive on both sides of the pad is high-strength bond. Once the adhesive comes in contact with a surface, it cannot be easily removed.

5. Hold the adhesive pad at a 45-degree angle to the rear of the angled bracket, and then align the lower edge of the pad with the lower edge of the bracket. Do not allow the adhesive to come in contact with the bracket.
6. Once the adhesive pad is aligned with the rear of the angled bracket, attach the pad to the rear of the bracket carefully. Press and hold the pad against the bracket for at least 30 seconds to ensure the adhesive bonds to the plastic.

**NOTE:** All air bubbles must be smoothed out and eliminated to ensure a complete bond to the plastic.



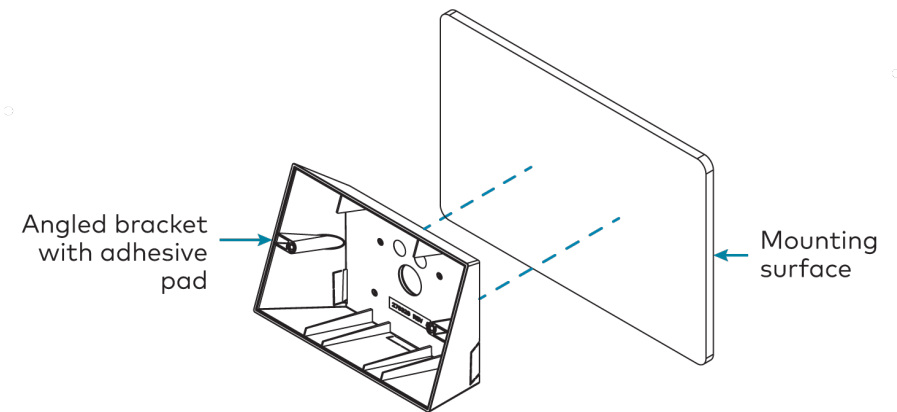
## Multisurface Mount Kit for TSW-770 and TSW-1070 Series, Angled

### Attach the Angled Bracket to the Mounting Surface

1. Clean and dry the mounting surface thoroughly. Refer to the caution statements at the beginning of the "Surface Mounting" section for important cleaning and drying notes.
2. Using the level, tape a horizontal reference line on the glass surface that aligns with the lower edge of the angled bracket. Ensure the reference line is level before proceeding.
3. Remove the protective backing from the other side of the adhesive pad attached to the angled bracket.
4. Hold the angled bracket at a 45-degree angle to the glass surface, and then align the lower edge of the bracket with the taped reference line. Do not allow the adhesive to come in contact with the glass surface.

5. Once the angled bracket is level and aligned with the taped reference line, press the bracket to the mounting surface firmly to ensure proper adhesion and to eliminate any trapped air bubbles. Press and hold the interior of the bracket against the surface for at least 30 seconds to ensure the adhesive bonds to the surface.

**NOTE:** All air bubbles must be smoothed out and eliminated to ensure a complete bond to the surface.



**CAUTION:** Allow a minimum of one hour (or up to 24 hours for maximum hold) for the adhesive to cure to the bracket and surface before installing the touch screen. Failure to properly cure the bracket to the mounting surface could cause the MSMK to detach after installation.

## Multisurface Mount Kit for TSW-770 and TSW-1070 Series, Angled

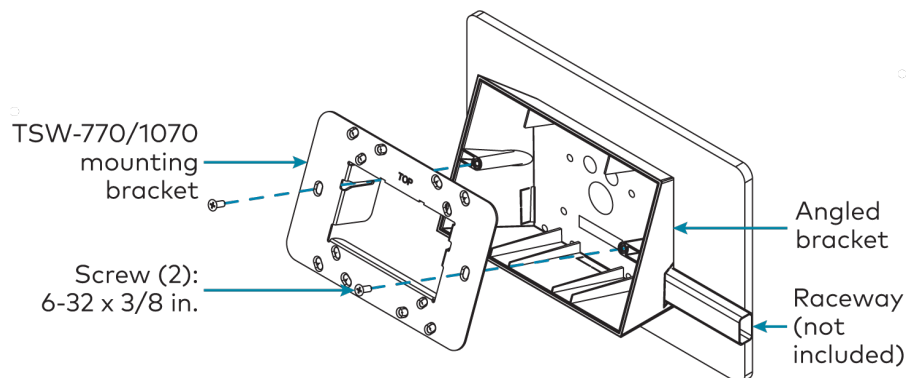
### Attach the TSW-770/1070 Mounting Bracket

1. Remove any existing tape guides and install any raceway (not included) to conceal cables running to the desired knockout on the angled bracket.

**NOTE:** To ensure the raceway fits into the knockout, Crestron recommends using raceway with the following dimensions: 0.45 H x 0.77 in. W (11 x 20 mm).

2. Attach the TSW-770/1070 mounting bracket (provided with the touch screen) to the angled bracket using the two provided 6-32 x 3/8 in. screws. Ensure the bracket is level after installation.

**NOTE:** If installing a TSW-770-LB or TSW-1070-LB light bar as part of the MSMK installation, the light bar must be placed in between the TSW-770/1070 mounting bracket and the MSMK angled bracket during this stage of the installation. The two provided 6-32 x 3/4 in. screws must also be used in place of the 6-32 x 3/8 in. screws. For more information on installing the light bar, refer to the [TSW-770-LB and TSW-1070-LB Quick Start](#).



### Attach the Touch Screen

1. Route all cables through the chosen knockout and out of the center opening in the angled bracket, and then connect them to the rear of the touch screen.
2. After all connections have been made, hold the touch screen over the mounting plate and place it gently in position so that it attaches securely to the plate.

### Attach the Label (Optional)

To provide a finished appearance for installations on glass or other transparent surfaces, install the included polycarbonate label on the opposite side of the surface behind the MSMK.

To install the label:

1. Clean and dry the rear of the mounting surface thoroughly. Refer to the caution statements at the beginning of the "Surface Mounting" section for important cleaning and drying notes.
2. Using the level, tape a horizontal reference line on the glass surface that aligns with the lower edge of the angled bracket on the opposite side. Ensure the reference line is level before proceeding.
3. Remove the protective liner from the rear of the label.

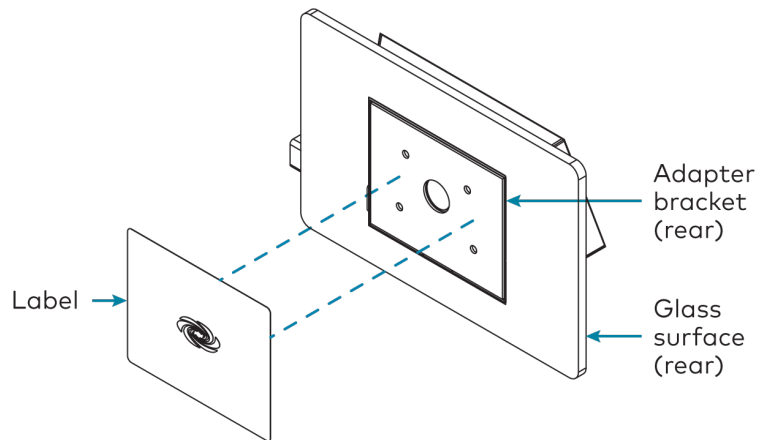
**CAUTION:** The adhesive on the rear of the label is high-strength bond. Once the adhesive comes in contact with a surface, it cannot be removed easily.

4. Hold the label at a 45-degree angle to the angled bracket, and then align the lower edge of the label with the lower edge of the bracket. Do not allow the label adhesive to come in contact with the surface.

## Multisurface Mount Kit for TSW-770 and TSW-1070 Series, Angled

- Once the label is level and aligned with the angled bracket, attach the label to the mounting surface carefully. Press and hold the label against the surface for at least 30 seconds to ensure the adhesive bonds to the surface.

**NOTE:** All air bubbles must be smoothed out and eliminated to ensure a complete bond to the surface.



Visit the Product Page

Scan the QR code to visit the product page.

TSW-770/1070-MSMK-ANG



[www.crestron.com/model/6511786](http://www.crestron.com/model/6511786)

### Additional Information

#### Original Instructions

The U.S. English version of this document is the original instructions. All other languages are a translation of the original instructions.

Crestron product development software is licensed to Crestron dealers and Crestron Service Providers (CSPs) under a limited nonexclusive, nontransferable Software Development Tools License Agreement. Crestron product operating system software is licensed to Crestron dealers, CSPs, and end-users under a separate End-User License Agreement. Both of these Agreements can be found on the Crestron website at [www.crestron.com/legal/software\\_license\\_agreement](http://www.crestron.com/legal/software_license_agreement).

The product warranty can be found at [www.crestron.com/warranty](http://www.crestron.com/warranty).

The specific patents that cover Crestron products are listed at [www.crestron.com/legal/patents](http://www.crestron.com/legal/patents).

Certain Crestron products contain open source software. For specific information, visit [www.crestron.com/opensource](http://www.crestron.com/opensource).

Crestron and the Crestron logo are either trademarks or registered trademarks of Crestron Electronics, Inc. in the United States and/or other countries. Other trademarks, registered trademarks, and trade names may be used in this document to refer to either the entities claiming the marks and names or their products. Crestron disclaims any proprietary interest in the marks and names of others. Crestron is not responsible for errors in typography or photography.

©2024 Crestron Electronics, Inc.

Doc. 8960F

06/21/24